



Parts  
**X10**  
**X10-S**  
**X10 Junior**



© 2024 Scout Mobility BV

All rights reserved.

The information provided herein may not be reproduced and/or published in any form, by print, photoprint, microfilm or any other means whatsoever (electronically or mechanically) without the prior written authorization of Scout Mobility BV.

The information provided is based on general data concerning the constructions known at the time of the publication of this manual. Scout Mobility BV executes a policy of continuous improvement and reserves the right to changes and modifications. The information provided is valid for the product in its standard version. Scout Mobility BV cannot be held liable for possible damage resulting from specifications of the product deviating from the standard configuration.

The available information has been prepared with all possible diligence, but Scout Mobility BV cannot be held liable for possible errors in the information or the consequences thereof. Scout Mobility BV accepts no liability for loss resulting from work executed by third parties.

Names, trade names, etc. used by Scout Mobility BV may not, as per the legislation concerning the protection of trade names, be considered as being available.

## Guidelines and useful information for maintenance

### Service technicians

Maintenance (regular maintenance and repairs) to the wheelchair may only be done by service technicians that have been trained and authorized by Scout Mobility BV. Temporary employees and personnel in training are allowed to do this work but only under the supervision of an authorized service technician.

### Work safely

Always make sure that you work safely, particularly when you need to lift up the wheelchair. During maintenance and repair work you are at all times fully responsible to obey local applicable guidelines and standards with regards to safety and environment. We advise you to contact our service department before you do repairs to a wheelchair that has been involved in an accident.

We advise you to disconnect the wheelchair from the battery power, if the wheelchair has to be repaired because of a fault condition. Remove the main fuse(s) while the wheelchair is unattended.

### Service and technical support

The original wheelchair settings are stored at Scout Mobility and can be supplied to you on request. For information about settings, maintenance and repair works, please contact your supplier.

Make sure you have the following information at hand:

- Type
- Serial number
- Year-month of manufacture

This information is printed on the identification plate of the wheelchair.

### How to order spare parts

When you order spare parts, please specify:

- Serial number
- Part number
- amount of parts you need
- description (in the relevant language)
- dimensions (if applicable)

Please use e-mail to send your orders to your supplier.

### Remarks:

- Parts that do not have a position number cannot be ordered separately. Such parts belong to an assembly that must be ordered and replaced as one piece.
- Boxed position numbers refer to the relevant drawing.

### Disposal

Always handle waste materials according to the local regulations.

### Contact information Scout Mobility BV

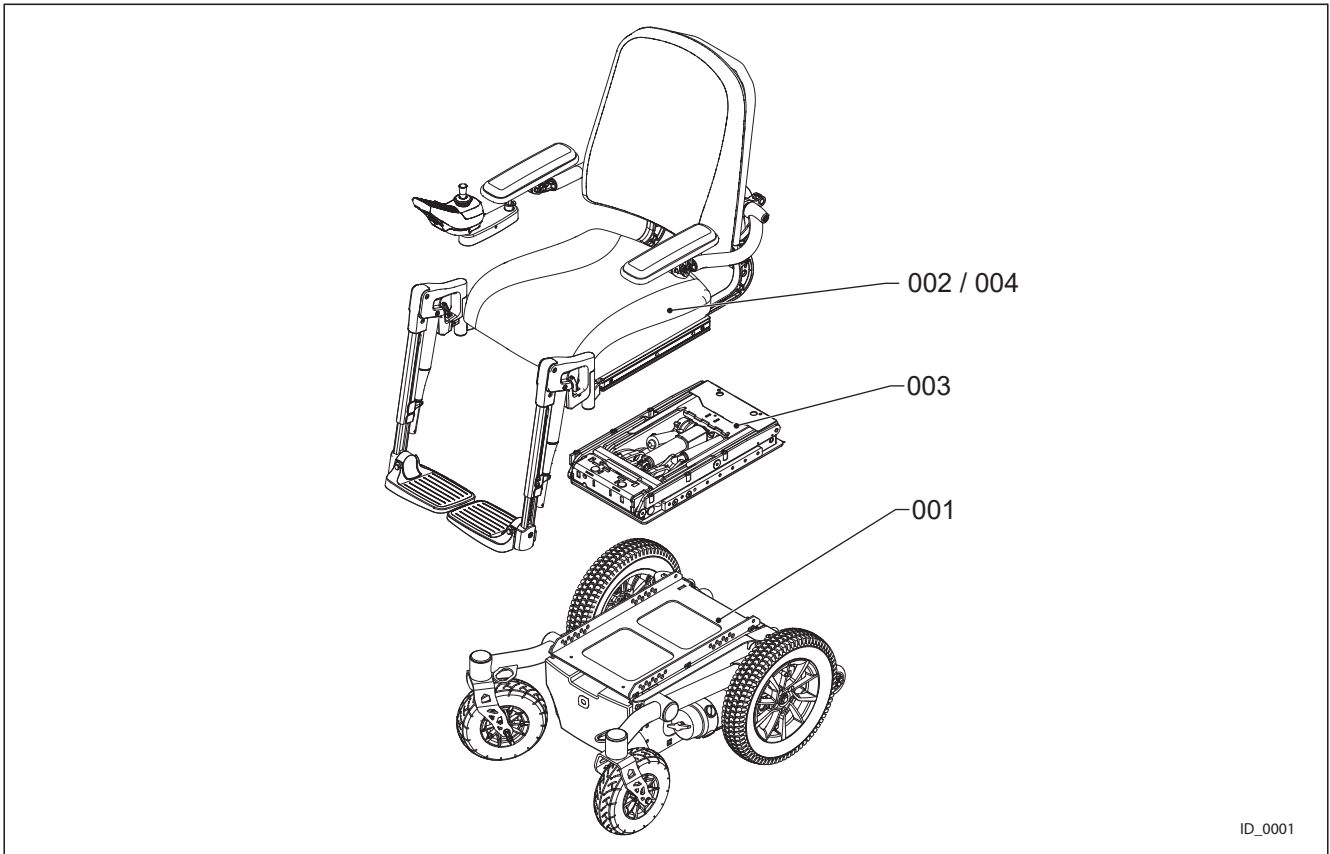
Scout Mobility BV  
Tiendschuur 5  
5768 SB Meijel  
The Netherlands  
T +31 (0)6 44 50 05 78  
[www.scoutmobility.nl](http://www.scoutmobility.nl)  
[info@scoutmobility.nl](mailto:info@scoutmobility.nl)





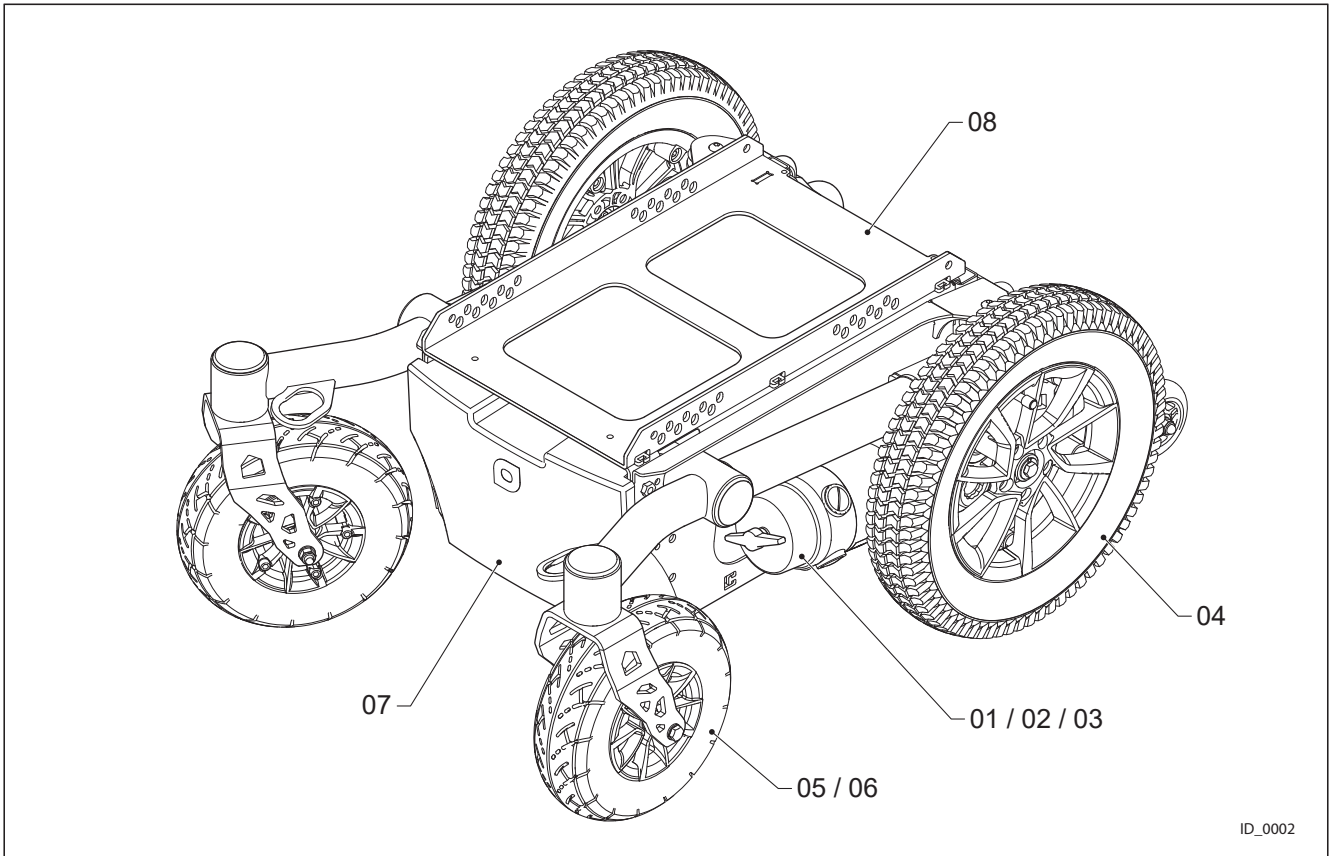
# Table of contents

Guidelines and useful information for maintenance .....	3
000-00-X10 Wheelchair X10.....	6
001-00-X10 Carrier-Standard.....	7
001-01-X10 Motorarm-Motors RWD .....	8
001-02-X10 Motorarm-Motors FWD.....	9
001-03-X10 Motorarm-Motors MWD .....	10
001-04-X10 Drive-Wheels-Mudguards .....	12
001-05-X10 Castor-Wheels-Mudguards .....	13
001-06-X10 Castor Wheels and Forks MWD and FWD .....	14
001-07-X10 Covers .....	15
001-08-X10 Batteries-Chargers.....	16
002-00-X10 Seating-System-Standard .....	17
002-01-X10 Armrests-01 .....	19
002-02-X10 Armrests-01 .....	20
002-03-X10 Basic Arm rest .....	21
002-04-X10 Basic Side Cushioning.....	22
002-05-X10 Thight Support.....	23
002-06-X10 Standard-Leg rest.....	24
002-07-X10 Comfort-Leg rest.....	25
002-08-X10 Powered-Leg rest .....	26
002-09-X10 Powered Central Leg rest .....	27
002-10-X10 Fixed Central Leg rest.....	28
002-11-X10 Joystick-bracket .....	29
002-12-X10 Direct Access .....	30
002-13-X10 Backrest Frame .....	31
002-14-X10 Recline-exploded .....	32
002-15-X10 Backrest-mounting .....	33
002-16-X10 Backrests .....	34
002-17-X10 Legrest-Mounting.....	37
002-18-X10 Seat-cushion-mounting .....	38
002-19-X10 Seat-cushions .....	39
002-20-X10 Seat plates.....	43
002-21-X10 Head Rests .....	44
002-22-X10 Lighting .....	45
002-23-X10 Work Tray.....	46
002-24-X10 Work Tray.....	47
002-24-X10 Options.....	48
002-24-X10 Options.....	49
002-25-X10 Attendant Control Brackets.....	50
002-26-X10 Thoracic Support.....	51
002-27-X10 Lap Belts .....	52
002-28-X10 Memory Seating .....	53
003-00-X10 Lift-Tilt-Module .....	54
003-01-X10 Lift-Tilt-Module .....	55
003-02-X10 Catapult Seat .....	56
003-03-X10 Interfaces carriers.....	57
003-03-X10 Interfaces carriers.....	58
003-04-X10 Mechanical Tilt .....	59
004-01-X10 Seating System Junior .....	61
004-02-X10 Armrest & Headrest Junior .....	62
004-03-X10 Joystick Bracket Junior .....	63
004-04-X10 Backrest Junior .....	64
004-04-X10 Backrest Junior .....	65
004-05-X10 Adjustable Backrest Junior .....	66
004-06-X10 Seat Junior .....	67
004-07-X10 Powered Legrest Junior.....	68
004-08-X10 Fixed Centre Mounted Legrest Junior.....	69
004-09-X10 Attendant Control Junior .....	70
009-00-X10 Electronics.....	71



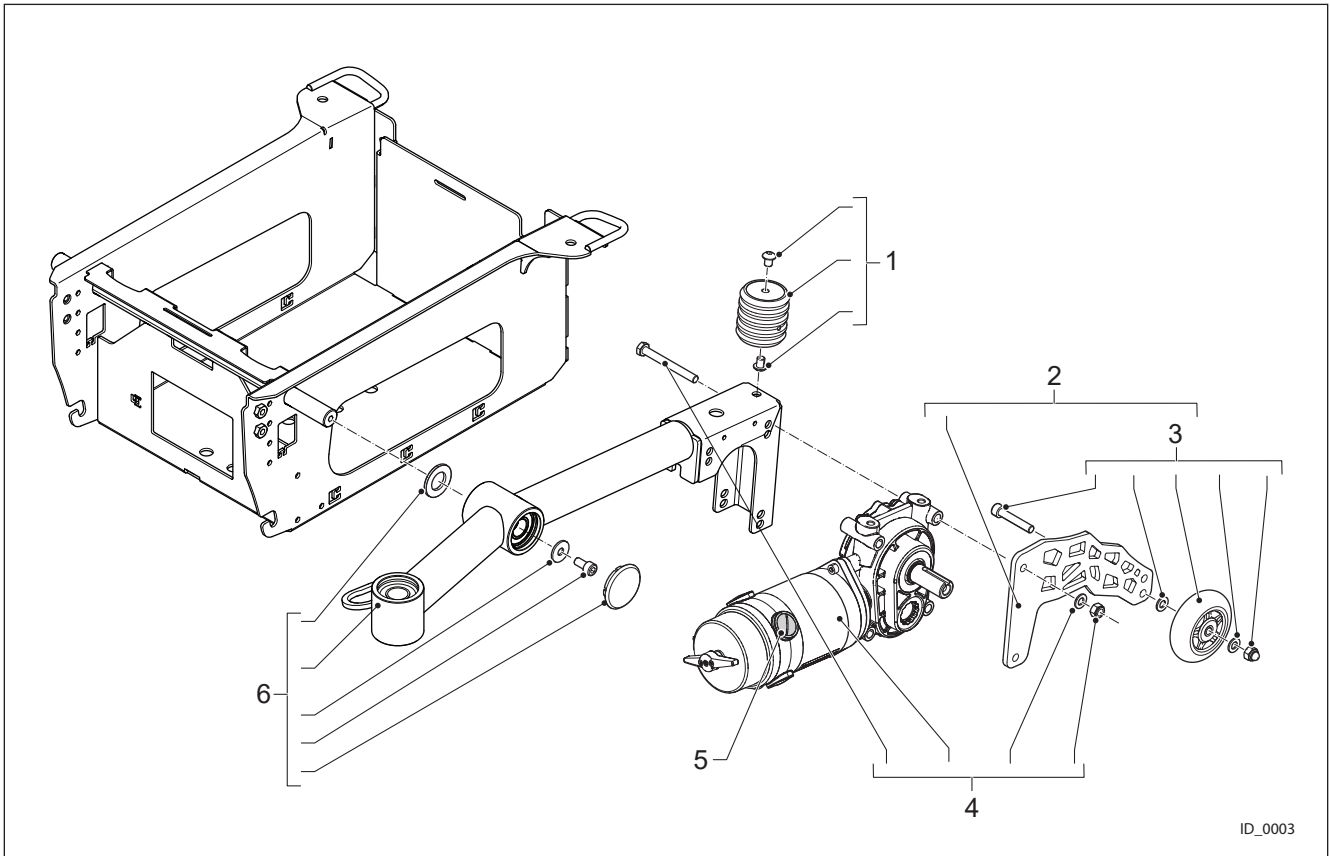
ID\_0001

<b>Drawing nr.</b>	<b>Description</b>
001-00-X10	Carrier-Standard
002-00-X10	Seating-System-Standard
003-00-X10	Lift-Tilt-Module
004-00-X10	Seating-System-Junior
009-00-X10	Electronics



ID\_0002

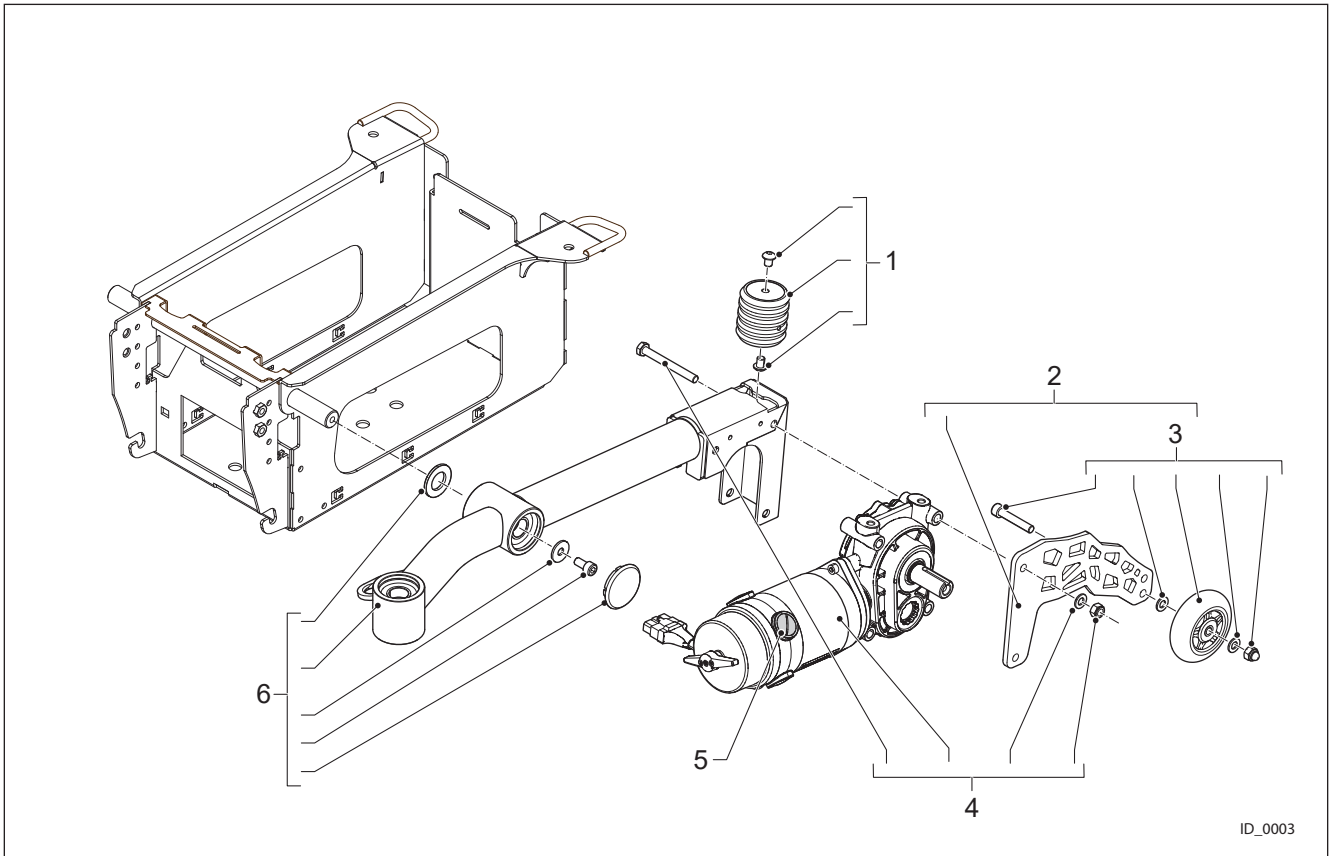
<b>Drawing nr.</b>	<b>Description</b>
001-01-X10	Motorarm-Motors
001-02-X10	Motor Arms MWD
001-03-X10	Motorarm-Motors MWD
001-04-X10	Drive-Wheels-Mudguards
001-05-X10	Castor-Wheels-Mudguards
001-06-X10	Castor Wheels and Forks MWD
001-07-X10	Covers
001-08-X10	Batteries-Chargers



ID\_0003

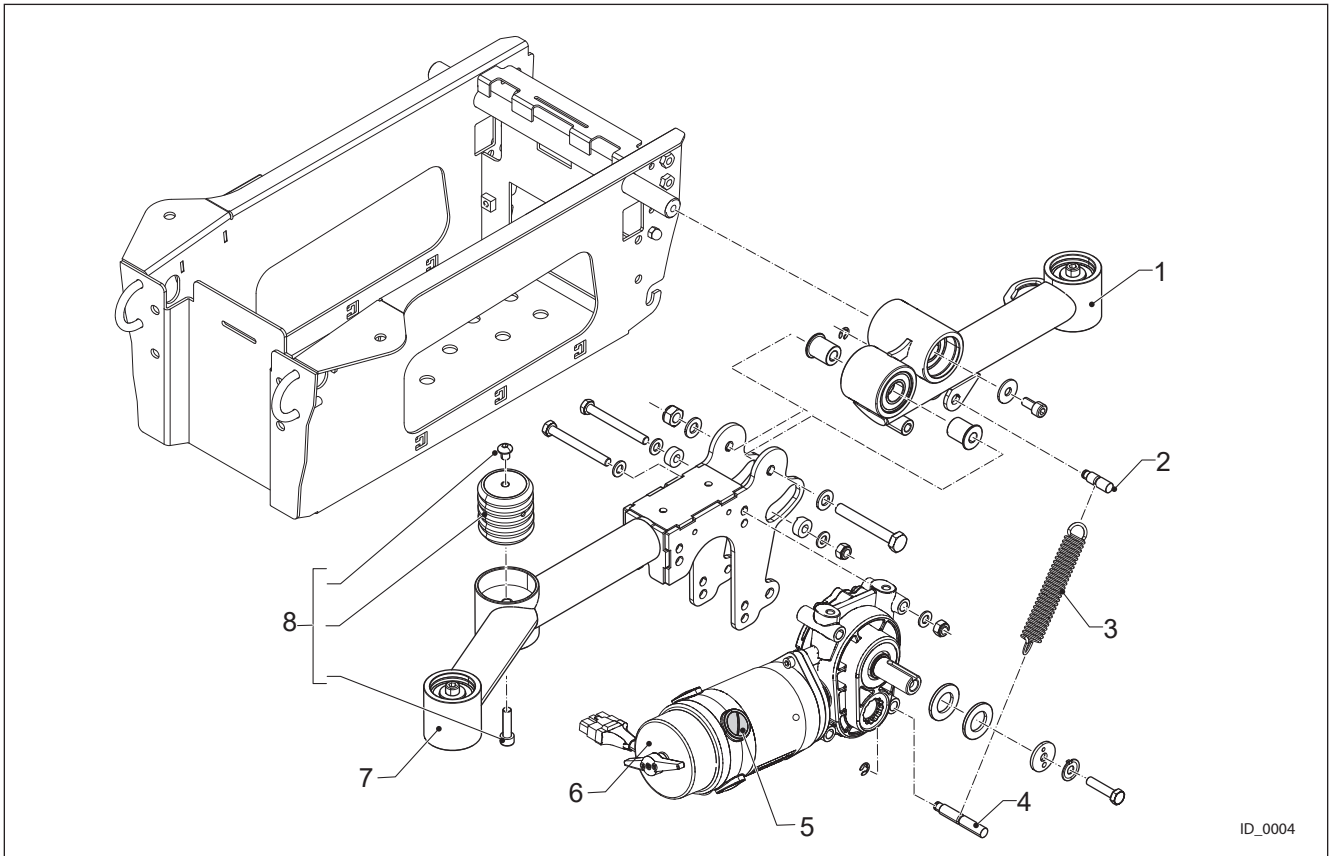
Pos.	Partno.	Description
1	4100674	Suspension Rubber 45° Shore A
2	4100465	Anti Tip Bracket
3	4100190	Anti-Tipper Wheel
4	4100432	Motor 10 km/h Type A R-net & VR2
4	4100433	Motor 10 km/h Type B R-net & VR2
4	4100608	Motor 10 km/h Type A Dynamic
4	4100609	Motor 10 km/h Type B Dynamic
5	4100673	Motor Carbon Brush Set, 5 mm x 12,5 mm x 18mm (4x109963+4x cover screw)
6	4103001	Side Frame Left RWD Dark Grey Assy
6	4103002	Side Frame Right RWD Dark Grey Assy
6	4103003	Side Frame Left RWD Silk Grey Assy
6	4103004	Side Frame Right RWD Silk Grey Assy
6	4103005	Side Frame Left RWD Blue Assy
6	4103006	Side Frame Right RWD Blue Assy
6	4103007	Side Frame Left RWD Red Assy
6	4103008	Side Frame Right RWD Red Assy





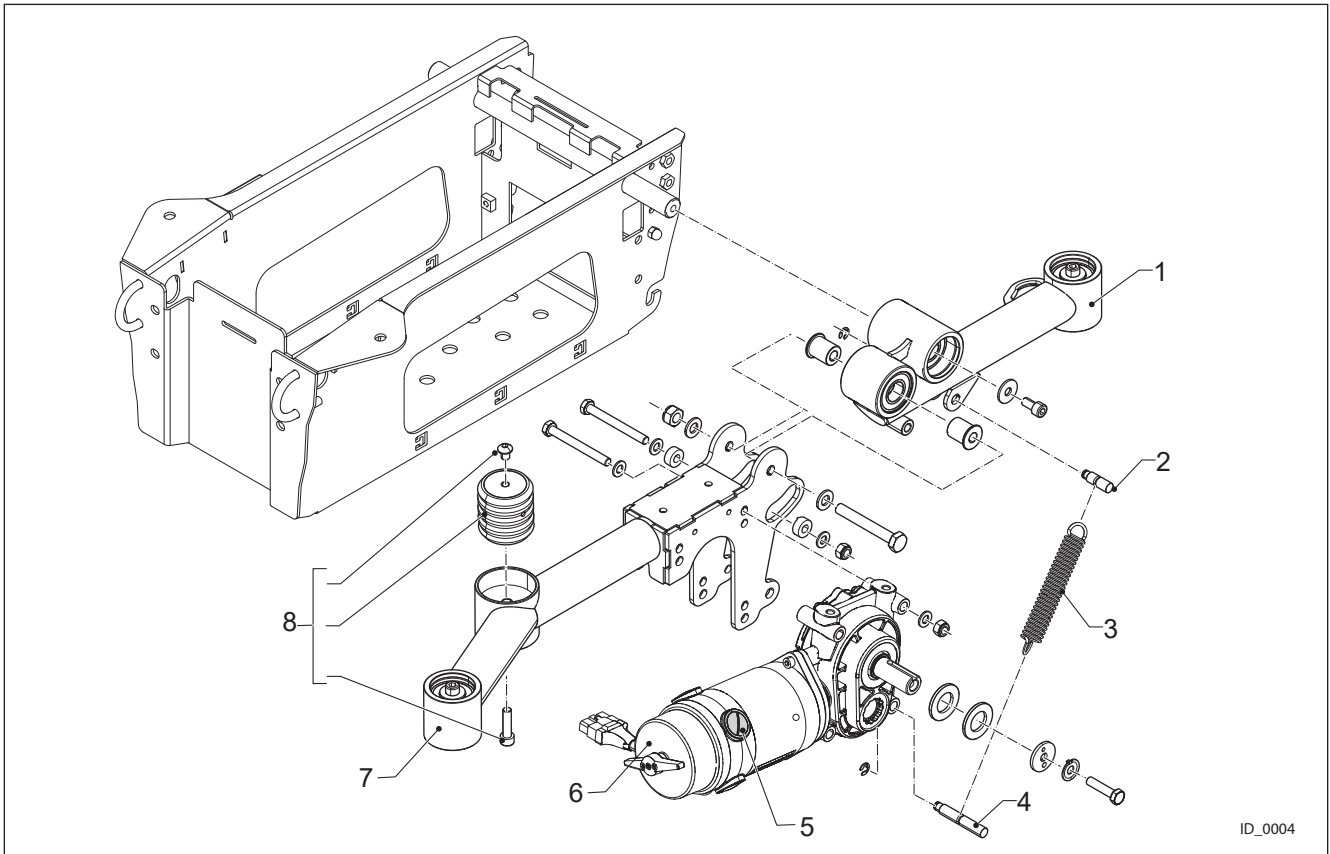
ID\_0003

Pos.	Partno.	Description
1	4102974	Suspension Rubber Mk2 45 Shore A
2	4100465	Anti Tip Bracket
3	4100190	Anti-Tipper Wheel
4	4100432	Motor 10 km/h Type A R-net & VR2
4	4100433	Motor 10 km/h Type B R-net & VR2
4	4100608	Motor 10 km/h Type A Dynamic
4	4100609	Motor 10 km/h Type B Dynamic
5	4100673	Motor Carbon Brush Set, 5 mm x 12,5 mm x 18mm (4x109963+4x cover screw)
6	4102993	Side Frame Left FWD Dark Grey MK2 Assy
6	4102994	Side Frame Right FWD Dark Grey MK2 Assy
6	4102995	Side Frame Left FWD Silk Grey mk2 Assy
6	4102996	Side Frame Right FWD Silk Grey MK2 Assyy
6	4102997	Side Frame Left FWD Blue MK2 Assy
6	4102998	Side Frame Right FWD Blue MK2 Assy
6	4102999	Side Frame Left FWD Red MK2 Assy
6	4103000	Side Frame Right FWD Red MK2 Assy



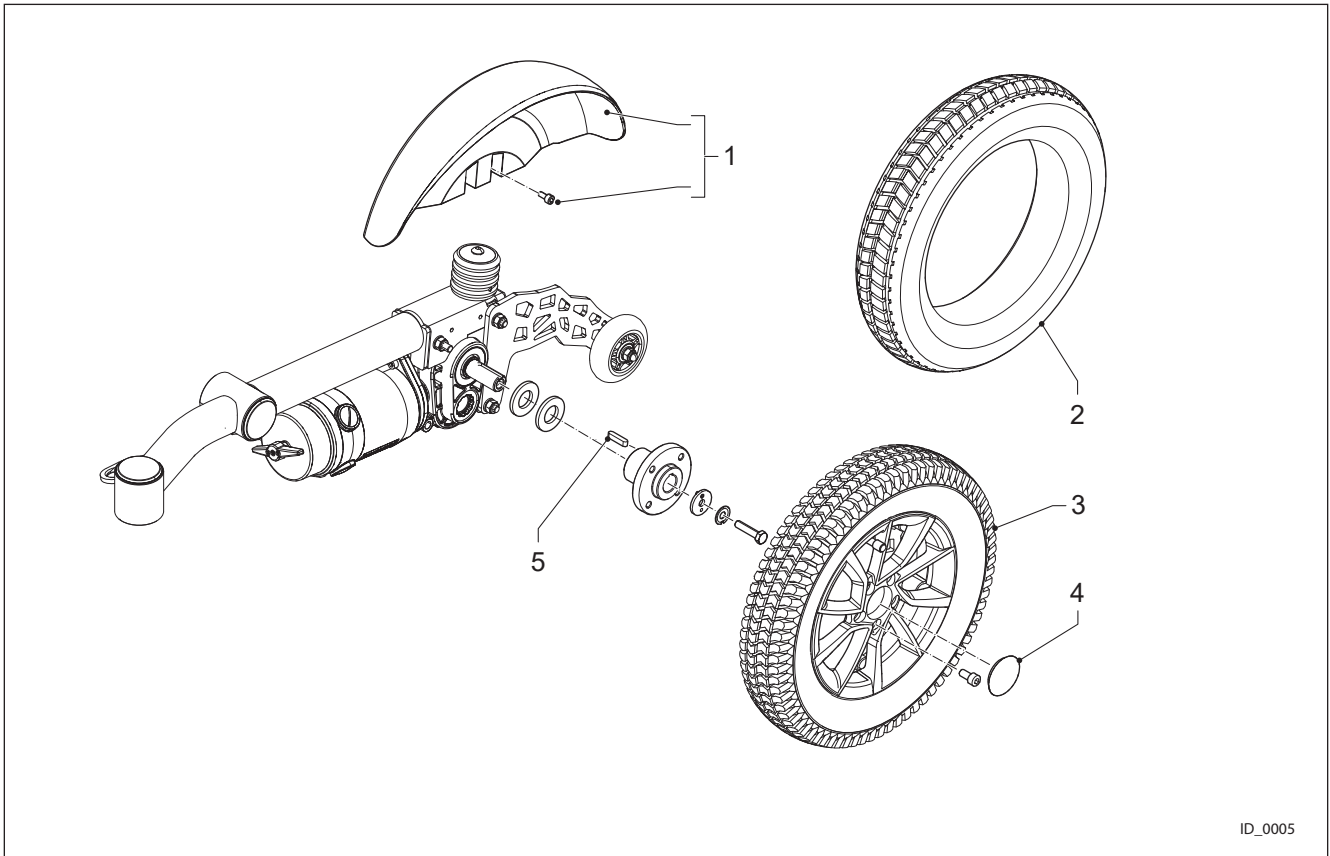
ID\_0004

Pos.	Partno.	Description
1	4101271	Castor Arm MWD Left Dark Grey
1	4101272	Castor Arm MWD Right Dark Grey
1	4101282	Castor Arm MWD Left White
1	4101283	Castor Arm MWD Right White
1	4101396	Castor Arm MWD Left Red
1	4101397	Castor Arm MWD Right Red
1	4101404	Castor Arm MWD Left Blue
1	4101405	Castor Arm MWD Right Blue
2	4101279	Spring Pin Upper
3	4101289	Castor Arm Tensioning Spring MWD
4	4101278	Spring Pin Lower
5	4100673	Motor Carbon Brush Set, 5 mm x 12,5 mm x 18mm (4x109963+4x cover screw)
6	4100432	Motor 10 km/h Type A R-net & VR2
6	4100433	Motor 10 km/h Type B R-net & VR2
6	4100608	Motor 10 km/h Type A Dynamic
6	4100609	Motor 10 km/h Type B Dynamic
7	4101269	Side frame MWD Left Dark Grey
7	4101270	Side frame MWD Right Dark Grey
7	4101280	Side Frame MWD Left White



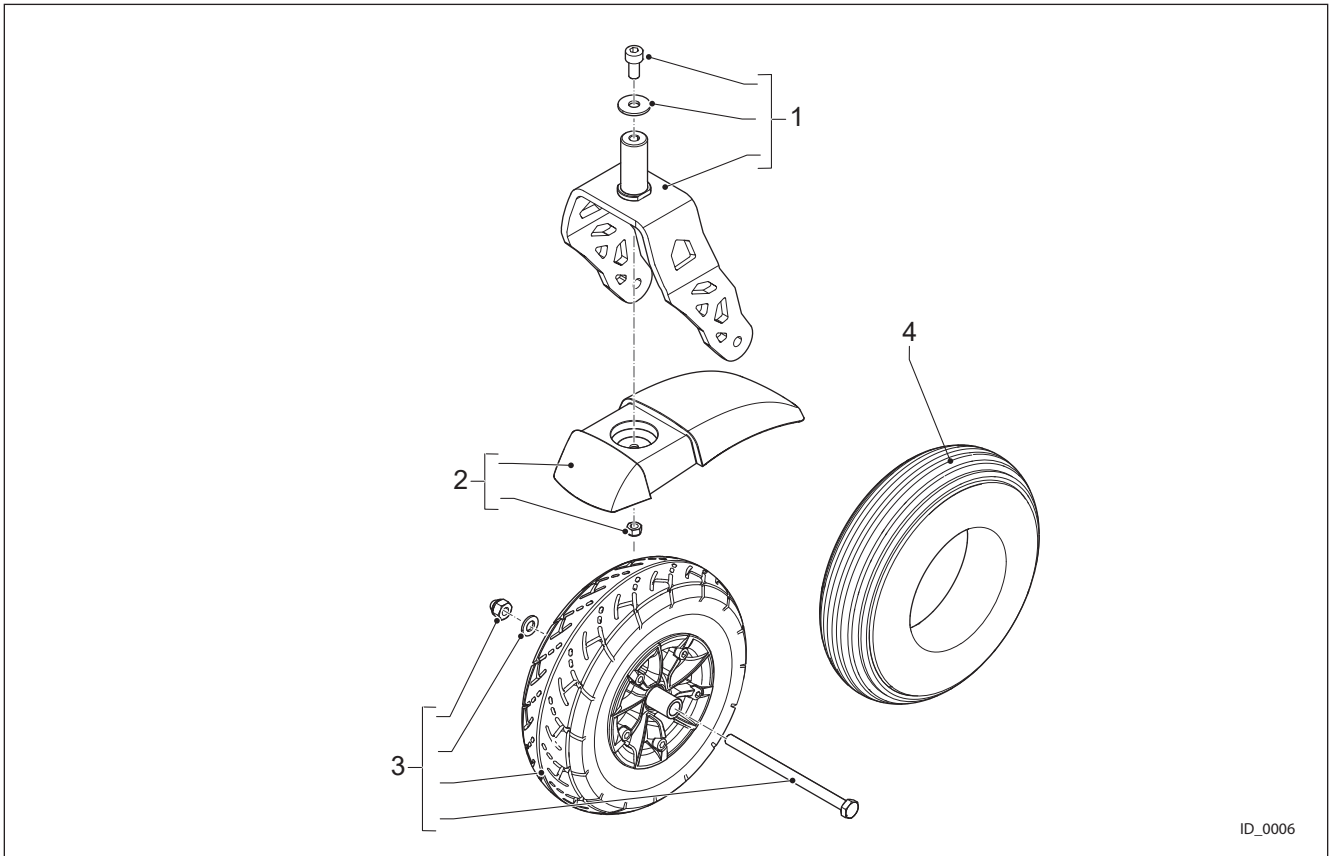
ID\_0004

Pos.	Partno.	Description
7	4101281	Side Frame MWD Right White
7	4101394	Side Frame MWD Left Red
7	4101395	Side Frame MWD Right Red
7	4101402	Side Frame MWD Left Blue
7	4101403	Side Frame MWD Right Blue
8	4102974	Suspension Rubber Mk2 45 Shore A



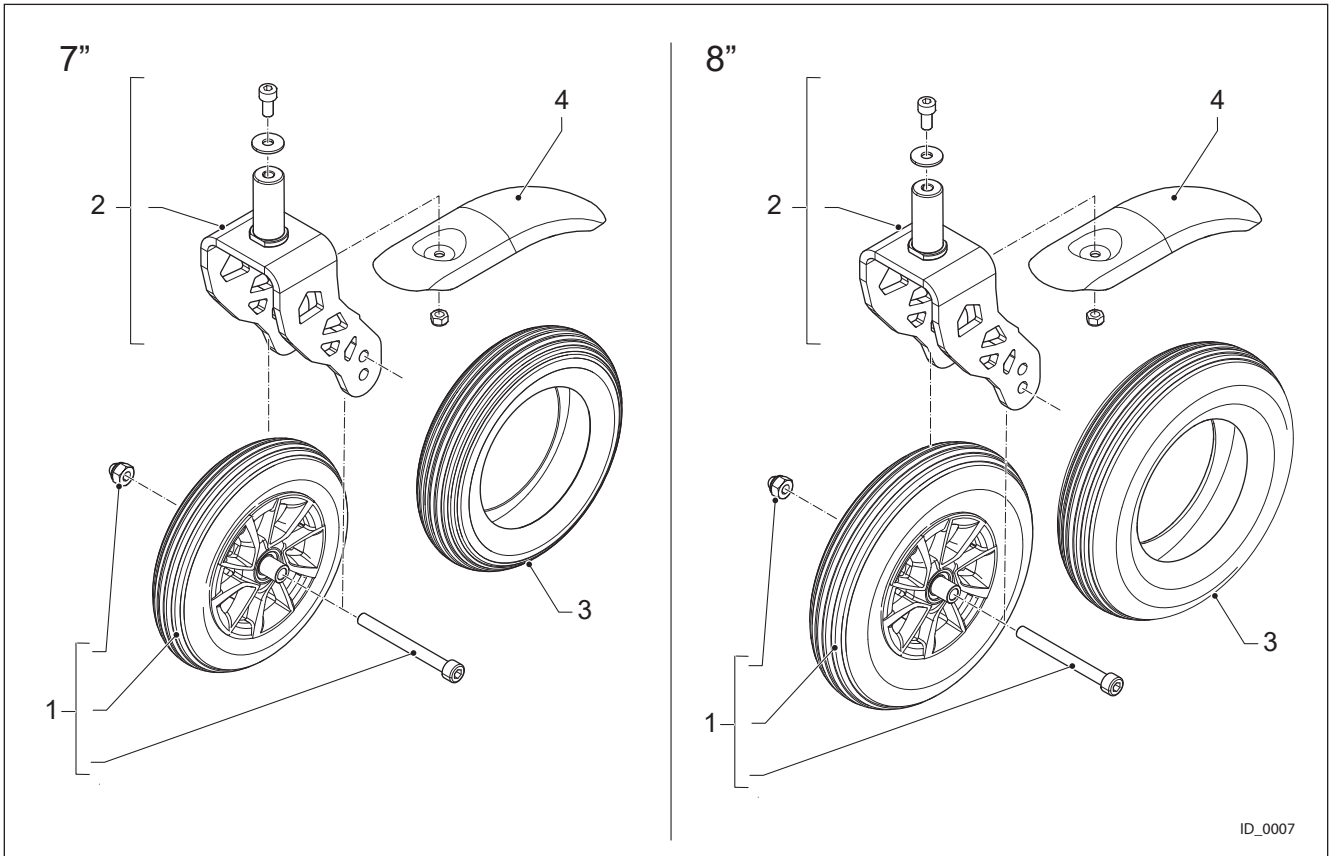
ID\_0005

Pos.	Partno.	Description
1	4100272	Drive Wheel Mudguard 14" (Left = Right)
2	4101991	Tire 3,00-8 Black non marking Puncture Protected
2	4102014	Tire 14" 3.00 x 8 Black non marking Puncture Proof
3	4102006	Drive Wheel Assy, 3.00-8, Air, Puncture protected, Black
3	4102007	Drive Wheel Assy, 3.00-8, Puncture proof, Black
4	4100139	Wheel Cover
5	4100550	Parallel Key 6x6x30 DIN6885A



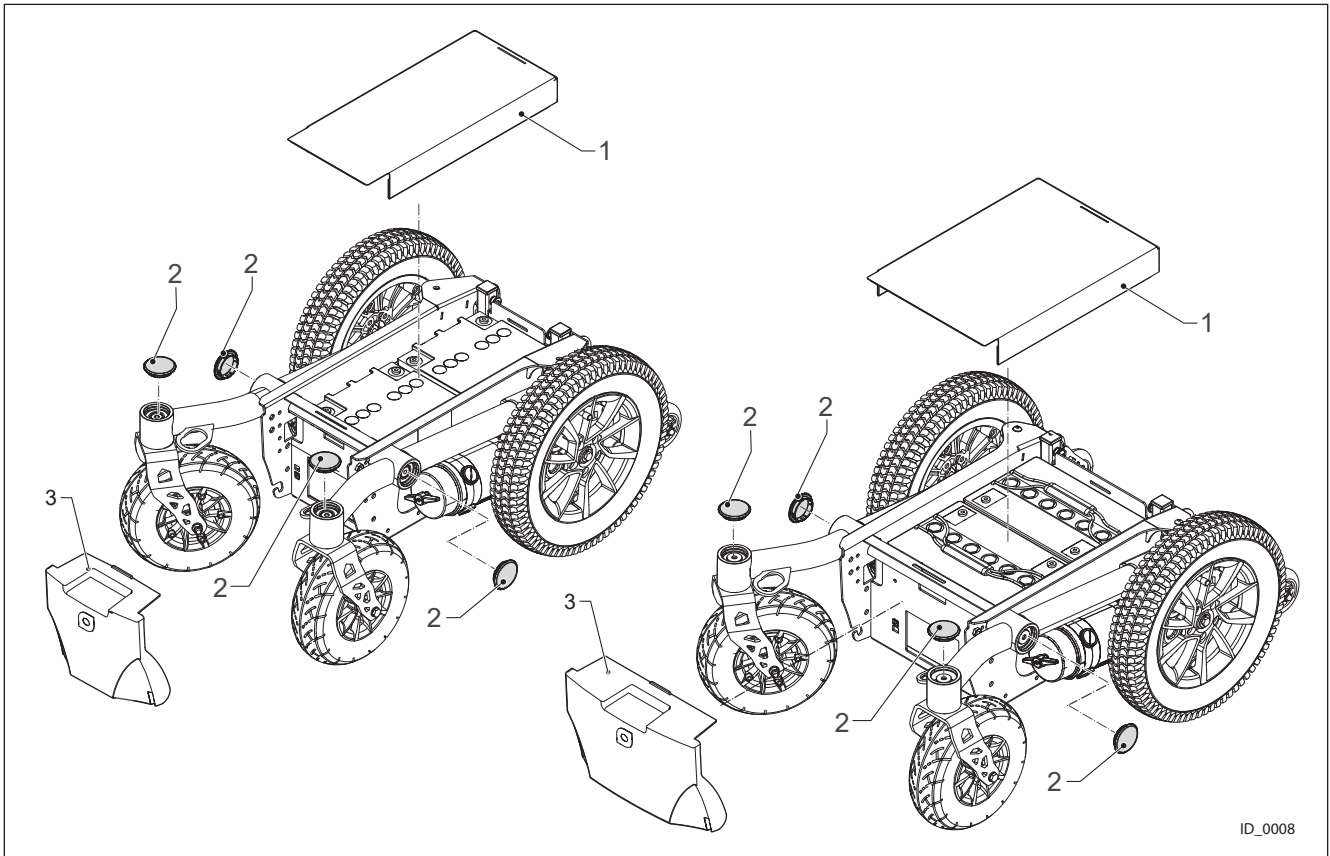
ID\_0006

Pos.	Partno.	Description
1	4100175	Castor Fork 9"
2	4100271	Castor Mudguard 9" (Left = Right)
3	4102004	Castor wheel 9", Air, Puncture protected, Black
3	4102005	Castor wheel 9", Puncture proof, Black
4	4102012	Tire 9" 2.80/2.50 x 4 Black non marking Puncture Protected
4	4102013	Tire 9" 2.80/2.50 x 4 Black non marking Puncture Proof



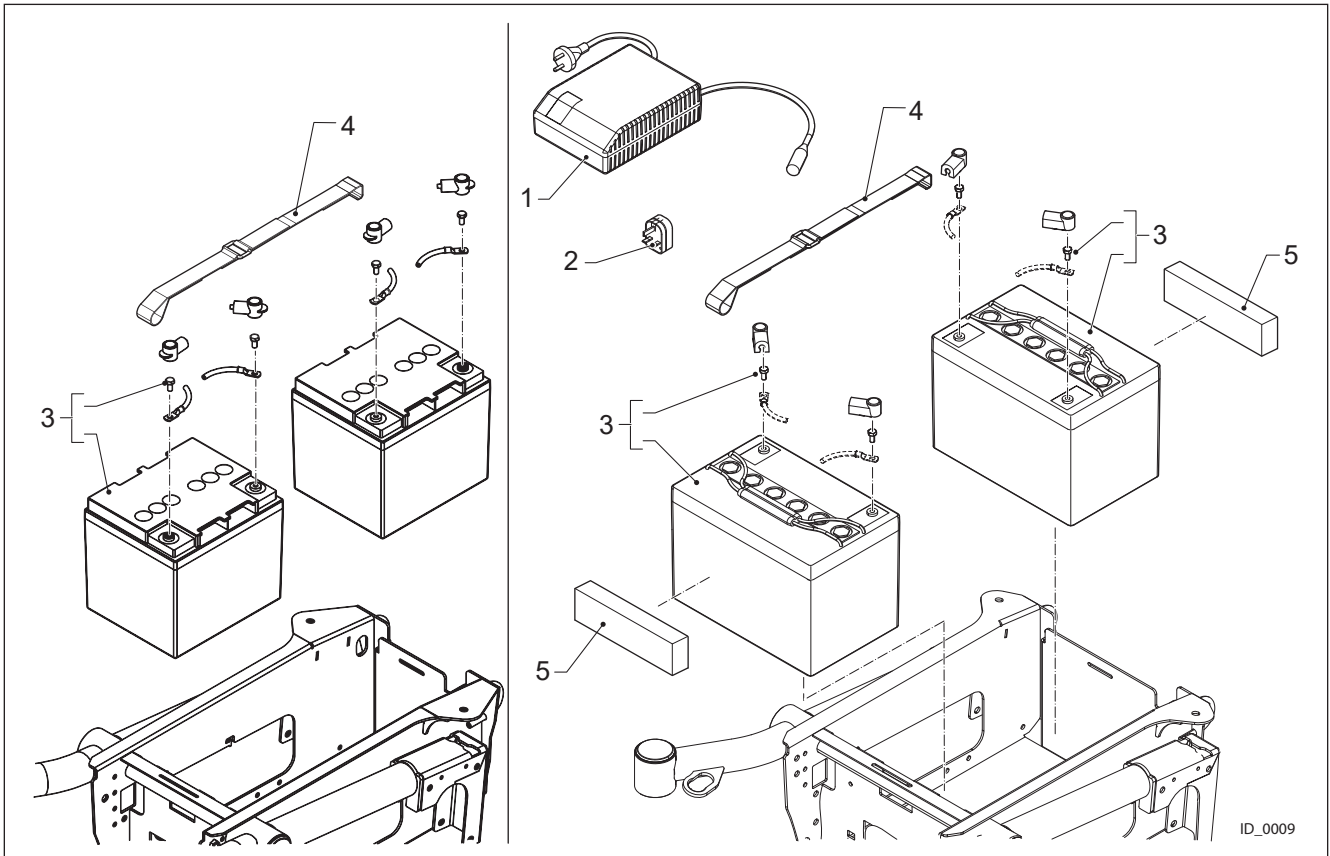
ID\_0007

Pos.	Partno.	Description
1	4102008	Castor Wheel 8 Inch Alu Puncture Proof, Black
1	4102009	Castor Wheel 7 Inch Puncture Proof, Black
2	4101217	Fork 7 and 8 Inch MWD Assy
3	4101990	Tire 8" 200x50 Black non marking Puncture Proof
3	4101989	Tire 7" 7x1 3/4 Black non marking Puncture Proof
4	4103066	Mud Guard 7/8 inch



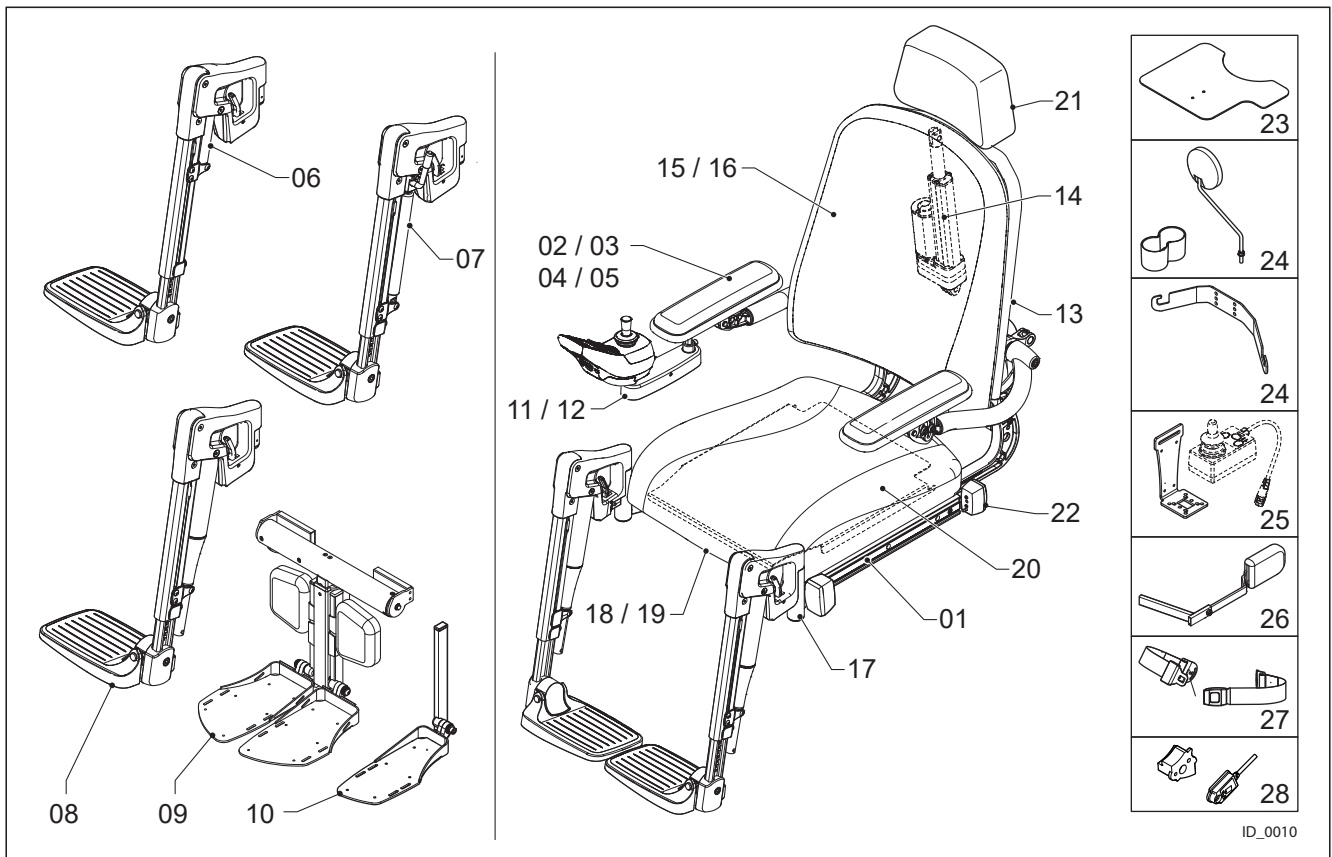
ID\_0008

Pos.	Partno.	Description
1	4100474	Battery Cover Small Frame
1	4102946	Battery Cover Small Mk2
1	4102771	Battery Cover Small 60 Ah
1	4100475	Battery Cover Standard Frame
2	4100607	Bearing Cover Yellow
2	4101254	Bearing Cover Black
3	4100476	Power Module Cover Small
3	4100477	Power Module Cover Standard



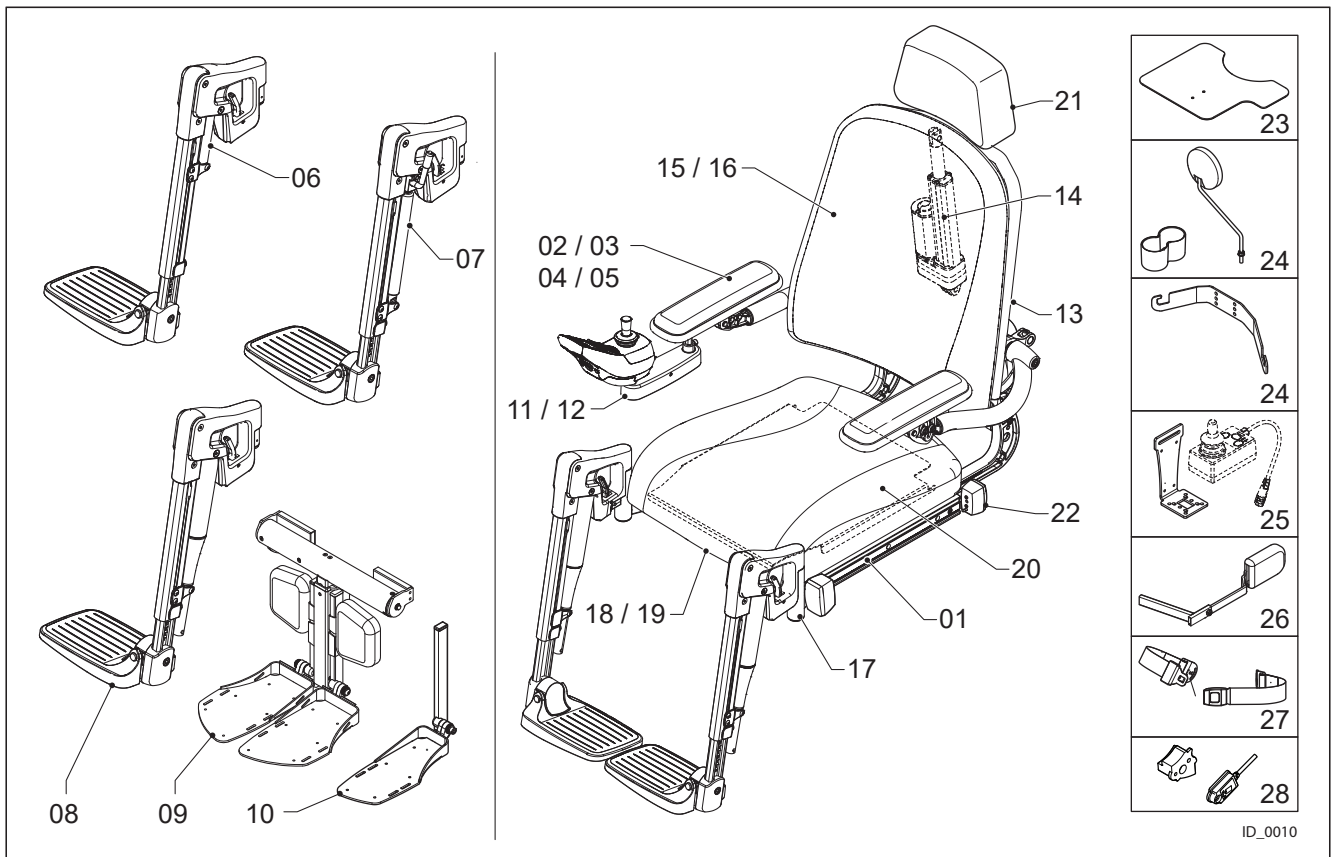
Pos.	Partno.	Description
1	4103166	Battery Charger 6 A AGM-IU (AGM batteries only)
1	4102394	Battery Charger 8 A
1	4102395	Battery Charger 10 A
1	4102396	Battery Charger 12 A
2	4100677	Adaptor Socket UK
3	4100280	Battery 50 Ah (C20) AGM
3	4100281	Battery 60 Ah (C20) Gel
3	4102763	Battery 60 Ah (C20)AGM
3	4100282	Battery 78 Ah (C20) Gel
4	4100376	Battery Strap Standard
5	4101536	Battery Spacer Material foam LD45





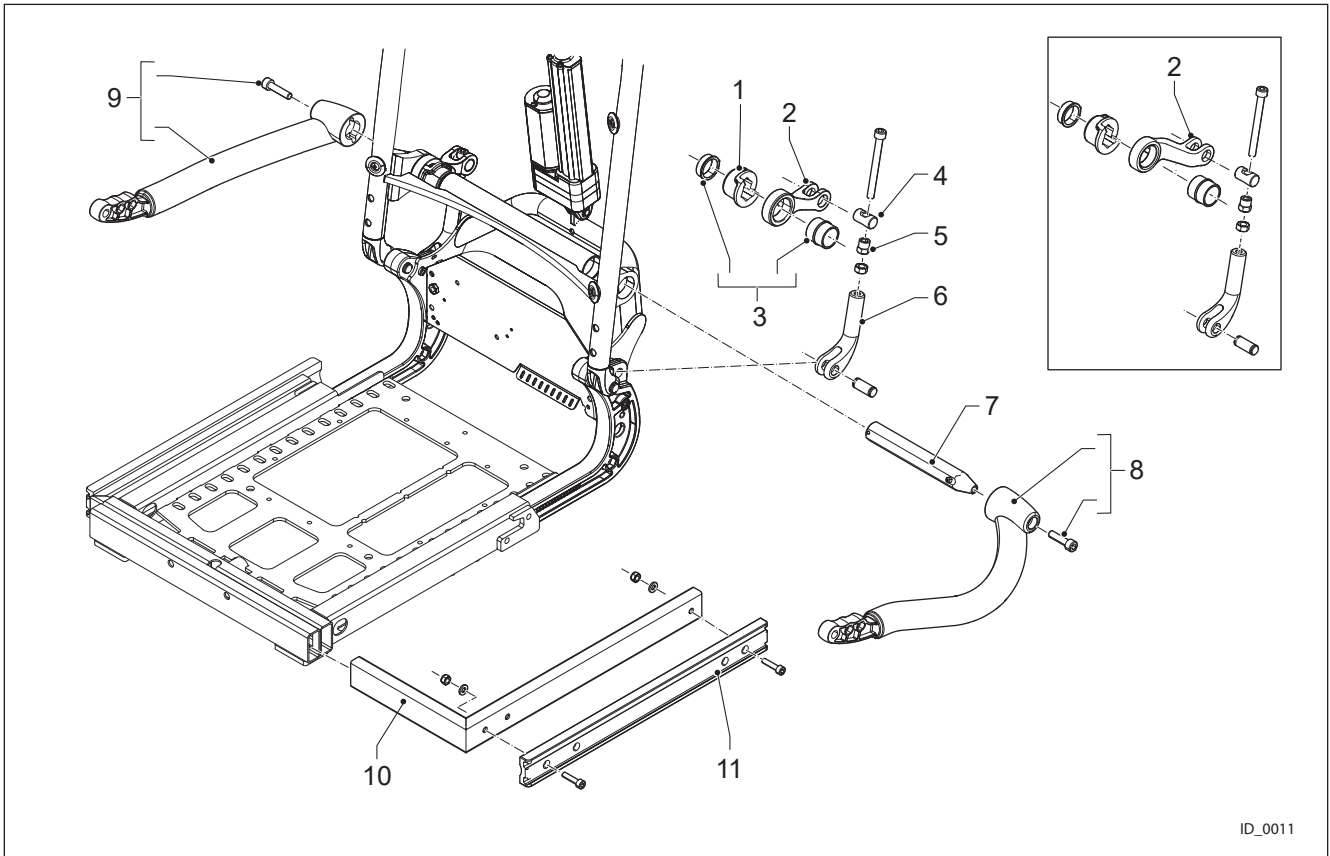
ID\_0010

Drawing nr.	Description
002-01-X10	Armrests-01
002-02-X10	Armrests-01
002-03-X10	Basic Arm rest
002-04-X10	Basic Side Cushioning
002-05-X10	Thigh Support
002-06-X10	Standard-Leg rest
002-07-X10	Comfort-Leg rest
002-08-X10	Powered-Leg rest
002-09-X10	Powered Central Leg rest
002-10-X10	Fixed Central Leg rest
002-11-X10	Joystick-bracket
002-12-X10	Direct Access
002-13-X10	Backrest Frame
002-14-X10	Recline-exploded
002-15-X10	Backrest-mounting
002-16-X10	Backrests
002-17-X10	Legrest-Mounting
002-18-X10	Seat-cushion-mounting
002-19-X10	Seat-cushions



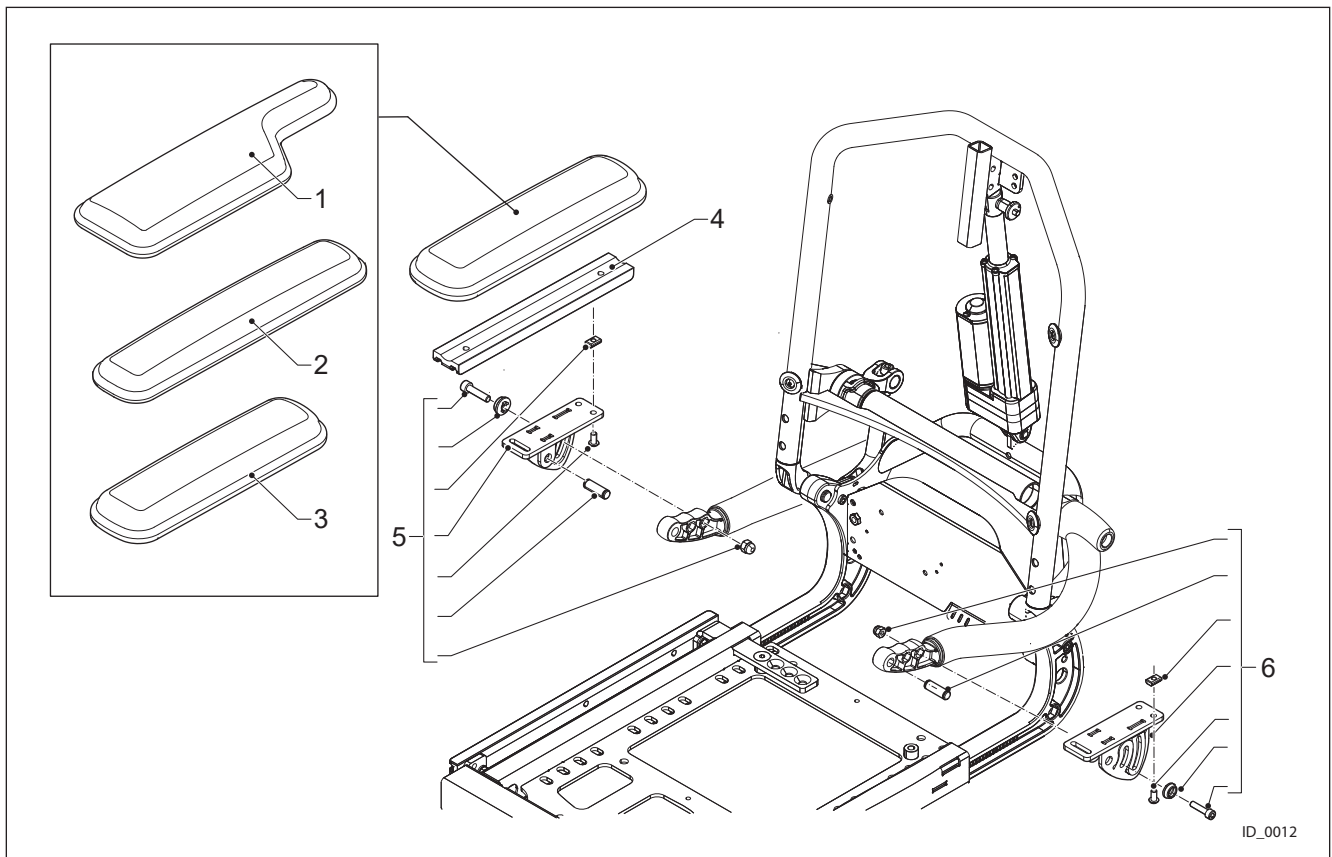
ID\_0010

Drawing nr.	Description
002-20-X10	Seat plates
002-21-X10	Head Rests
002-22-X10	Lighting
002-23-X10	Work Tray
002-24-X10	Options
002-25-X10	Attendant Control Brackets
002-26-X10	Thoracic Support
002-27-X10	Lap Belts
002-28-X10	Memory Seating

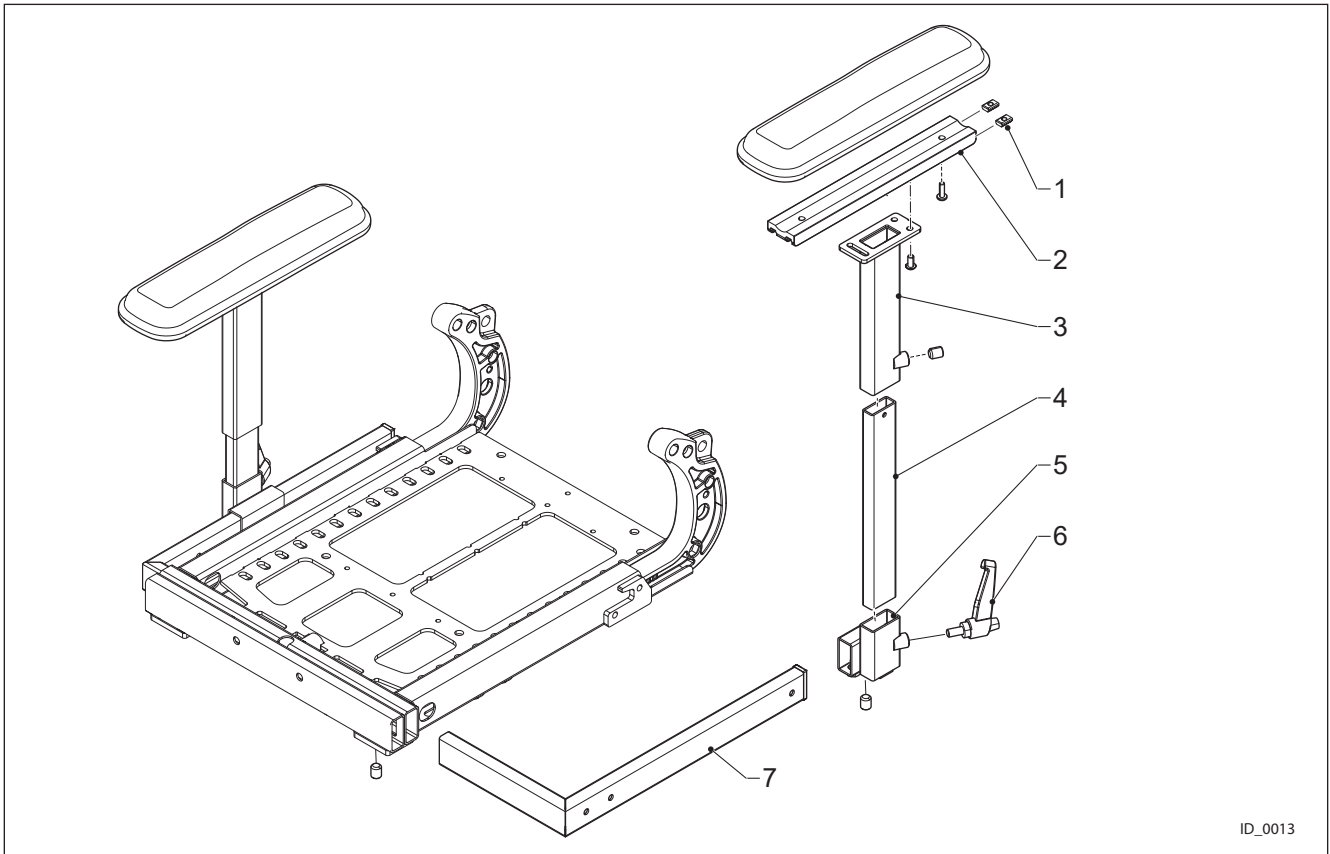


ID\_0011

Pos.	Partno.	Description
1	4100398	Arm Rest Adjuster Block
2	4100395	Arm Rest Height Lever Standard
2	4100521	Adjuster Lever Armrest Small frame
3	4100400	Armrest Adjuster Bearing 2
4	4100396	Adjuster Axle
5	4100151	Angle Adjuster Locking Nut
6	4100397	Adjuster Fork
7	4101141	Armrest Axle Assy
8	4100491	Arm Rest Left
9	4100492	Arm Rest Right
10	4101351	Seat Width Adjuster CL
11	4100130	Side Mounting Profile Seat

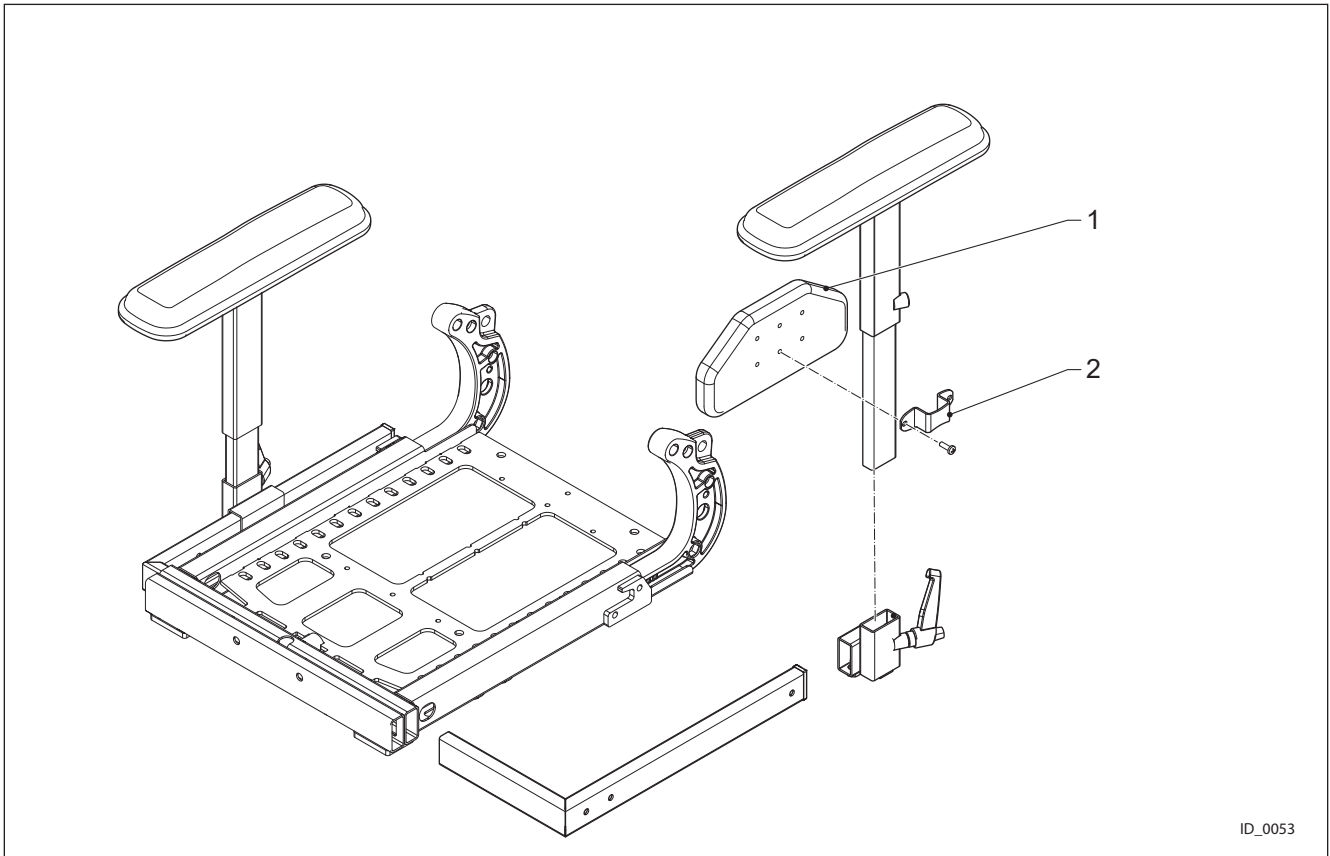


Pos.	Partno.	Description
1	4100671	Arm Pad P-Shape Left Upholstered
1	4100672	Arm Pad P-Shape Right Upholstered
2	4100620	Arm Pad 40 cm Upholstered
3	4100619	Arm Pad 30 cm Upholstered
4	4100403	Arm Rest Extrusion Profile
4	4100130	Mounting Profile (40 cm)
5	4100592	Arm Rest Angle Adjuster Set Right
6	4100591	Arm Rest Angle Adjuster Set Left



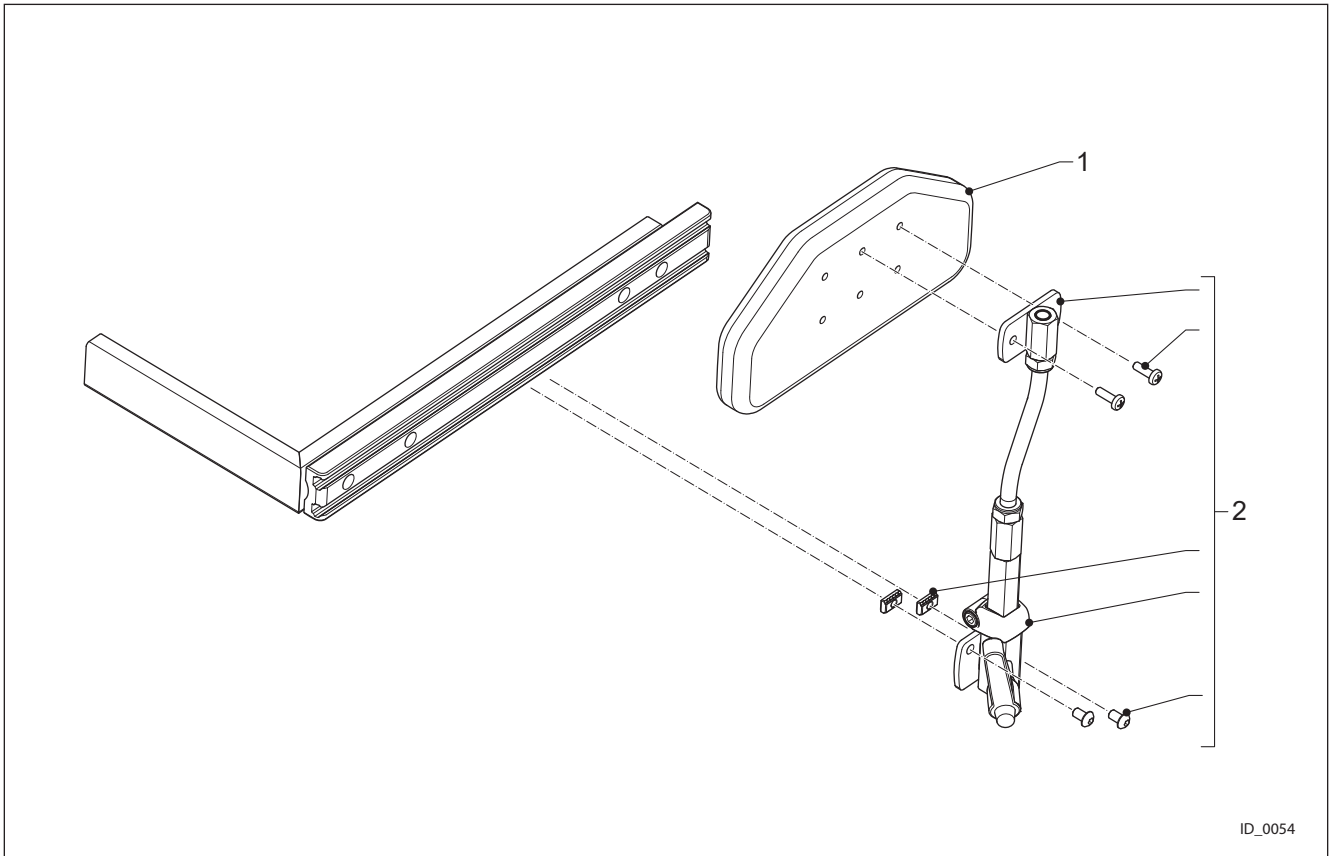
ID\_0013

Pos.	Partno.	Description
1	4100082	Casted Clamp Strip Small
2	4100403	Arm Rest Extrusion Profile
2	4100130	Mounting Profile (40 cm)
3	4101244	Armrest Upper Part Basic Left
3	4101245	Armrest Upper Part Basic Right
4	4101243	Armrest Lower Part Basic
5	4101241	Armrest Socket Basic Assy Left
5	4101242	Armrest Socket Basic Assy Right
6	4101294	Clamp Lever Lifiable M8 Basic Arm Rest
7	4101351	Seat Width Adjuster CL

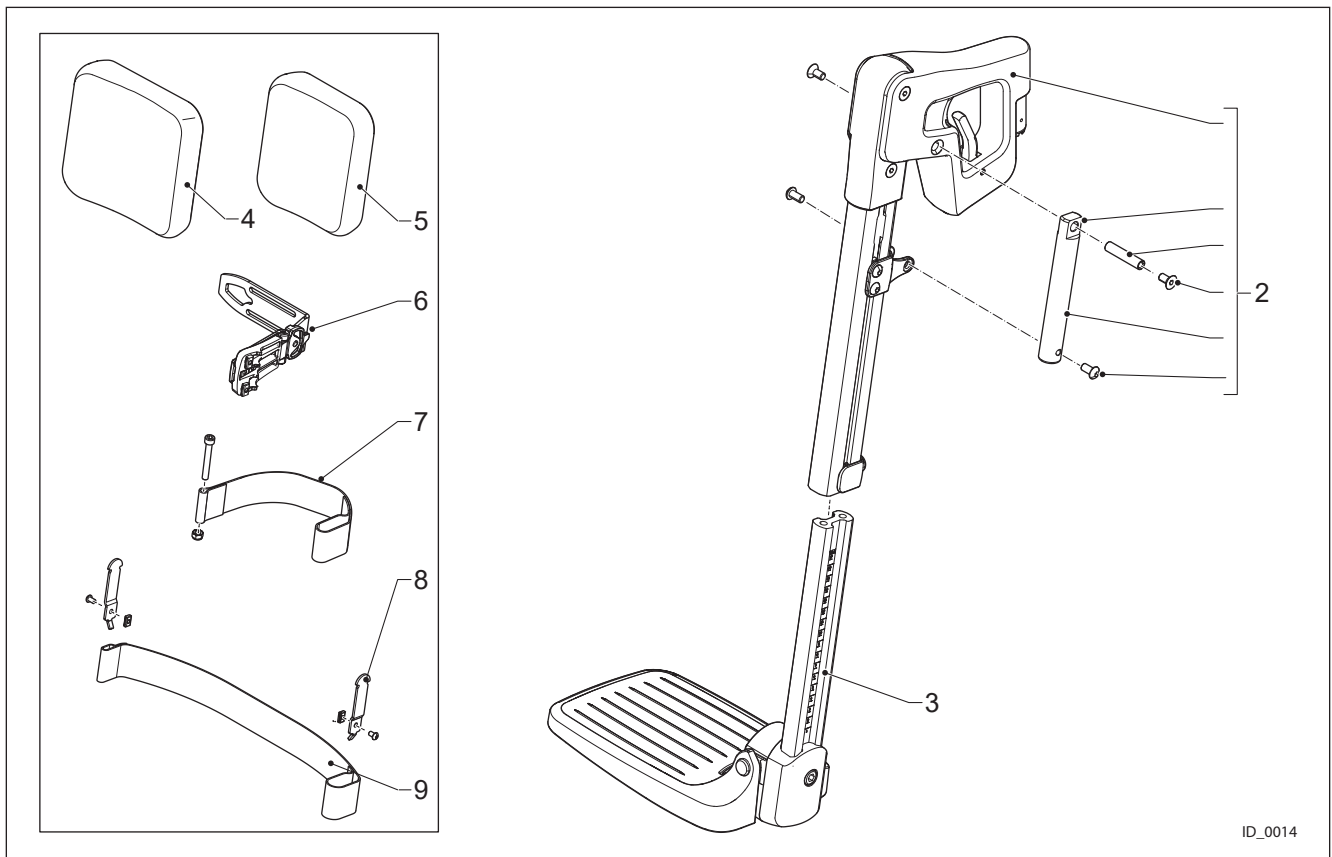


ID\_0053

Pos.	Partno.	Description
1	4100887	Side Cushion Upholstered
2	4101246	Clamp Bracket Side Cushion Basic



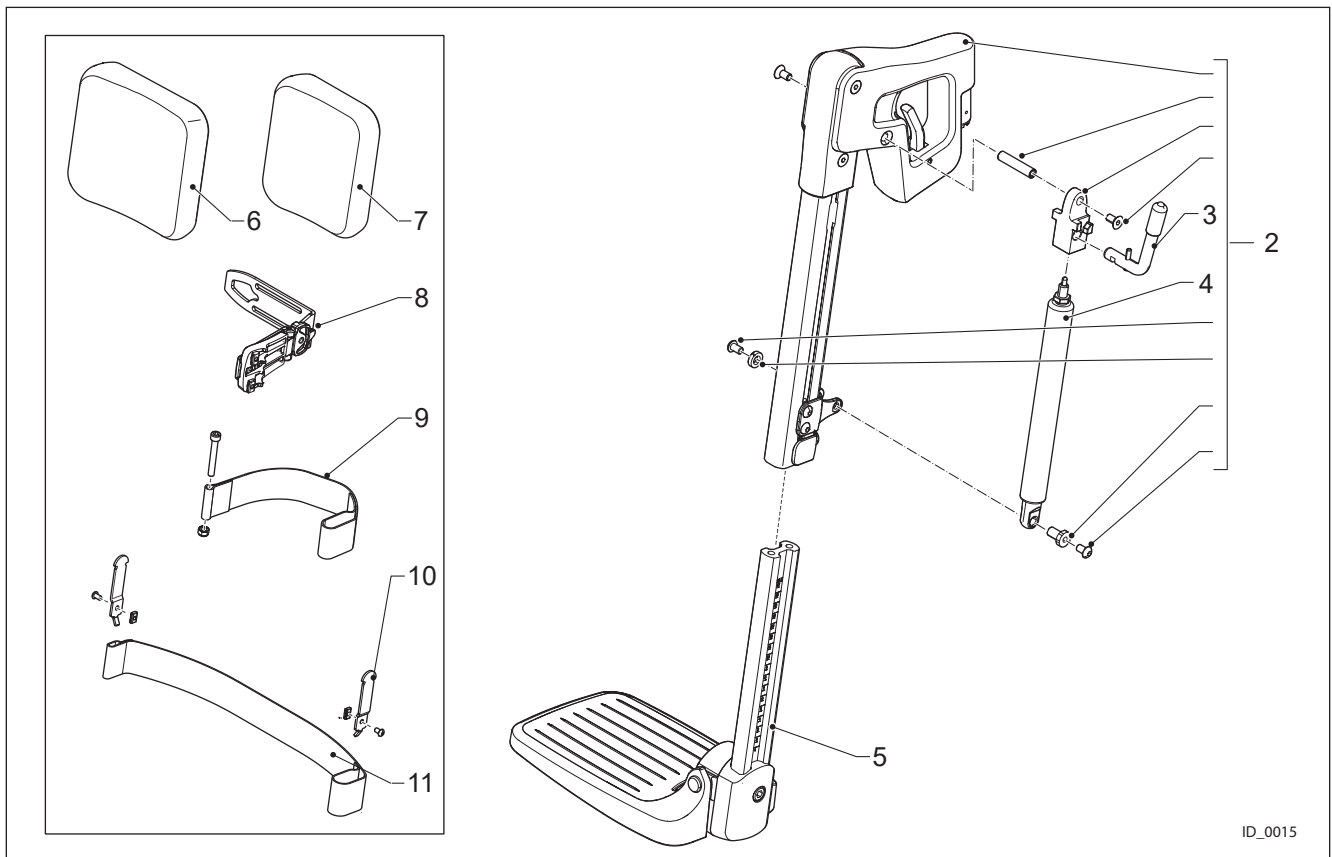
Pos.	Partno.	Description
1	4101782	Side Cushion Small Pro Skin (Set)
2	4102083	Thigh Support Assembly



ID\_0014

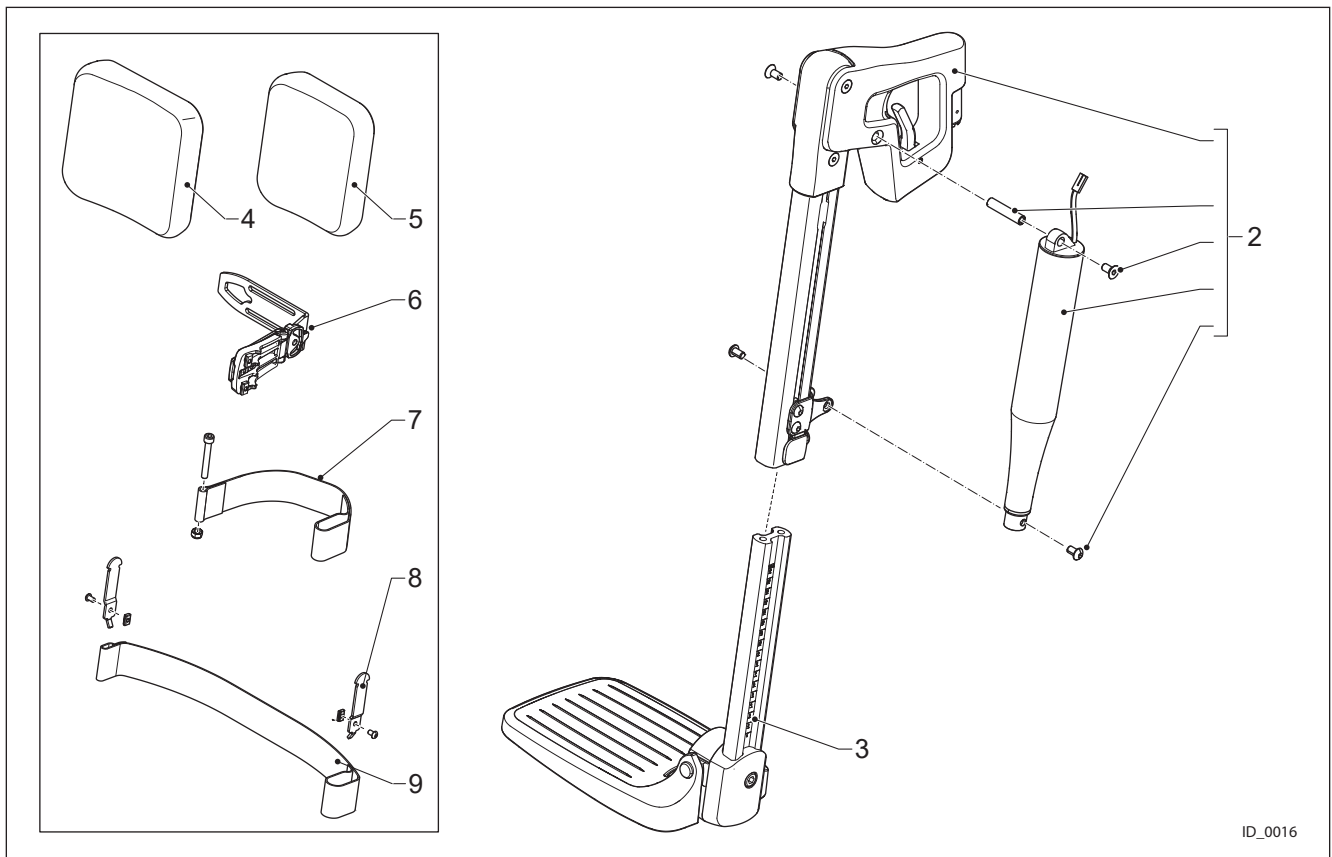
Pos.	Partno.	Description
1	4100658	Standard Legrest Left Mechanical
1	4100657	Standard Legrest Right Mechanical
2	4103021	Leg Rest Angle Adjuster Set
3	4100045	Lower Part Legrest Std
4	4100621	Calf Plate Upholstered 19 cm (set)
5	4100705	Calf Pad Small Upholstered 16 cm (Set)
6	4100602	Calf Plate Assembly
7	4100778	Heel Loop Right
7	4101154	Heel Loop Left
8	4101132	Calf Strap Clip
9	4100096	Calfstrap Standard Leg Rest





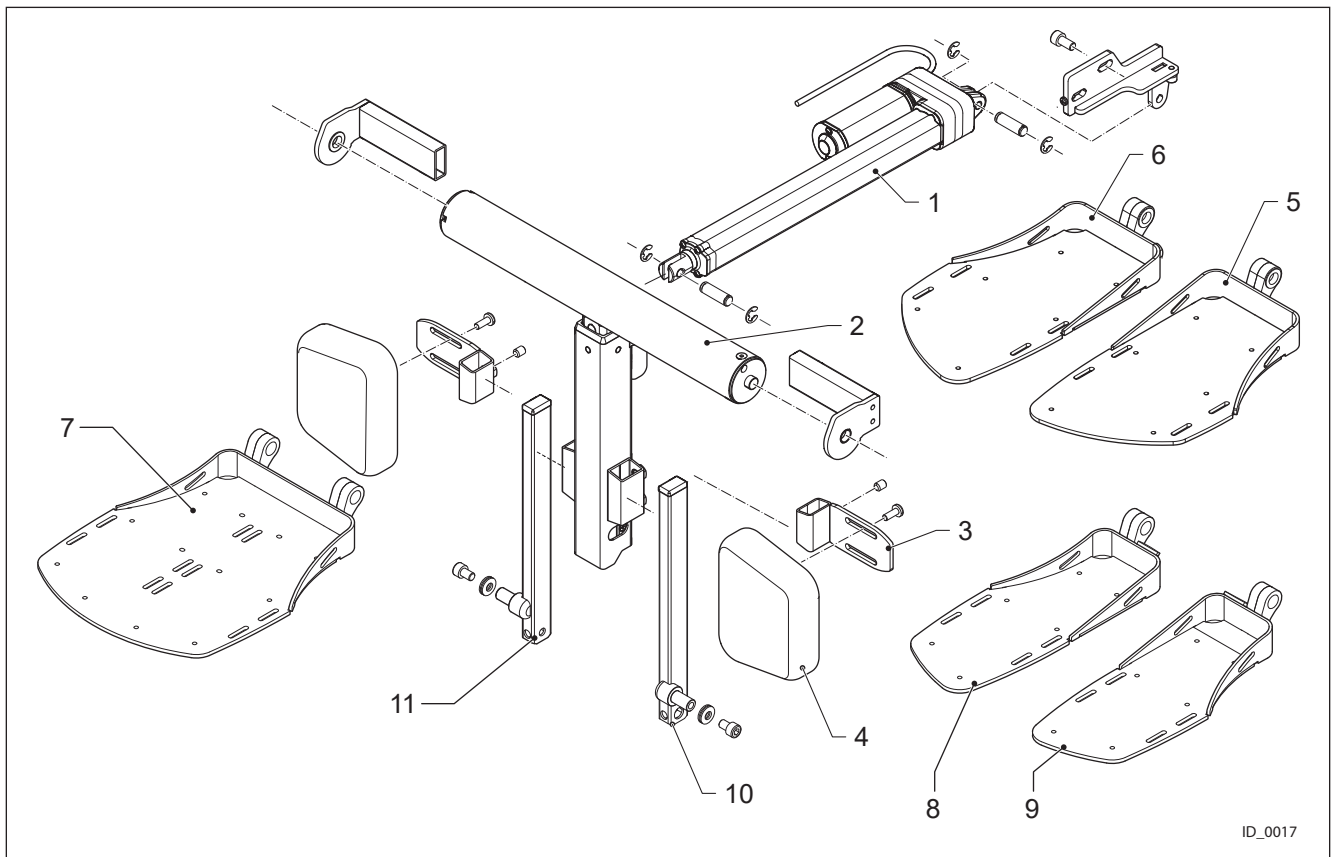
ID\_0015

Pos.	Partno.	Description
1	4100106	Comfort Upper Left Leg Rest
1	4100107	Comfort Upper Right Leg Rest
2	4100679	Gaspring Set Legrest
3	4100095	Gaspring Locking Lever
4	4100059	Gaspring 200 N
5	4100045	Lower Part Legrest Std
6	4100621	Calf Plate Upholstered 19 cm (set)
7	4100705	Calf Pad Small Upholstered 16 cm (Set)
8	4100602	Calf Plate Assembly
9	4100778	Heel Loop Right
9	4101154	Heel Loop Left
10	4101132	Calf Strap Clip
11	4100096	Calfstrap Standard Leg Rest



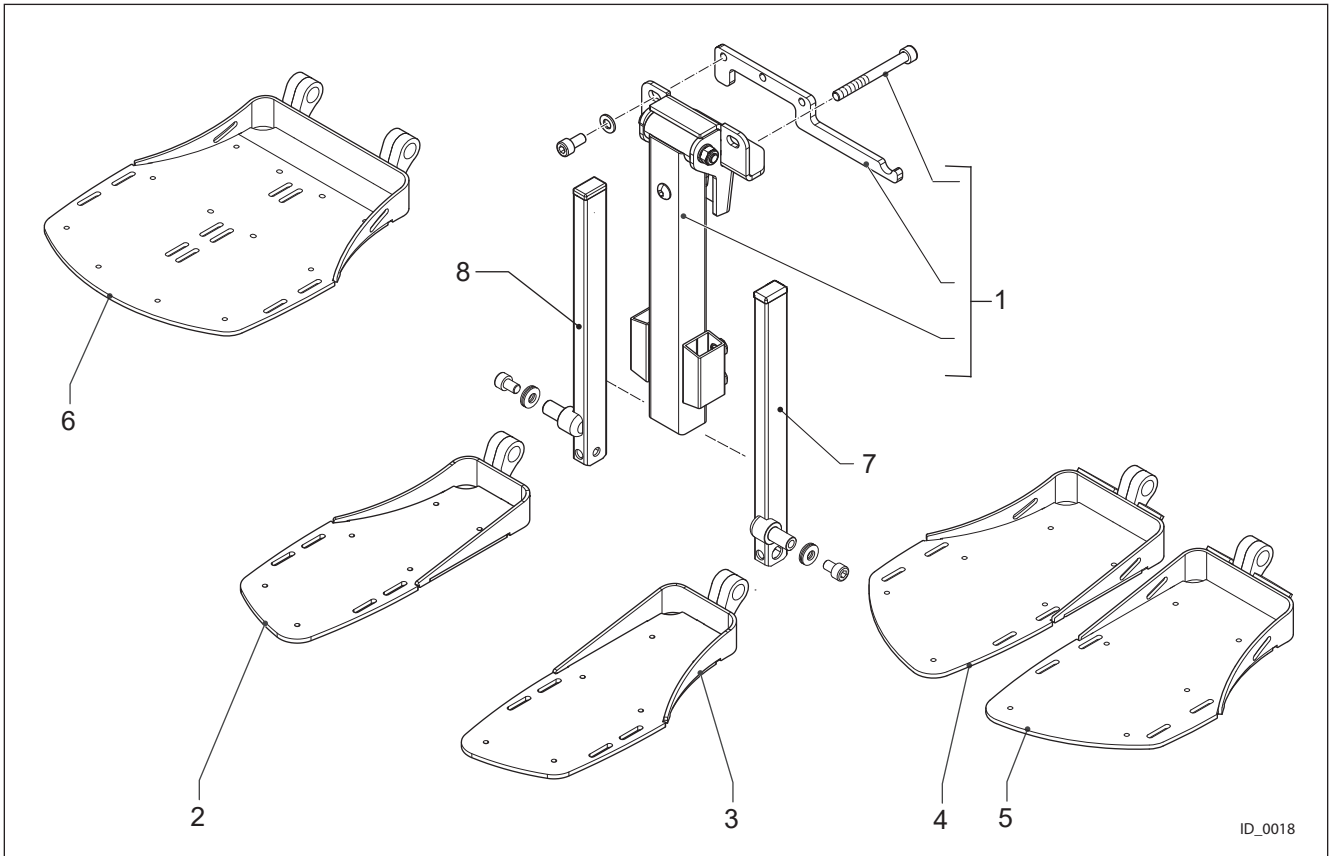
ID\_0016

Pos.	Partno.	Description
1	4100043	Powered Upper Left Leg Rest
1	4100044	Powered Upper Right Leg Rest
2	4100058	Actuator Powered Leg Rest
3	4100045	Lower Part Legrest Std
4	4100621	Calf Plate Upholstered 19 cm (set)
5	4100705	Calf Pad Small Upholstered 16 cm (Set)
6	4100602	Calf Plate Assembly
7	4100778	Heel Loop Right
7	4101154	Heel Loop Left
8	4101132	Calf Strap Clip
9	4100096	Calfstrap Standard Leg Rest

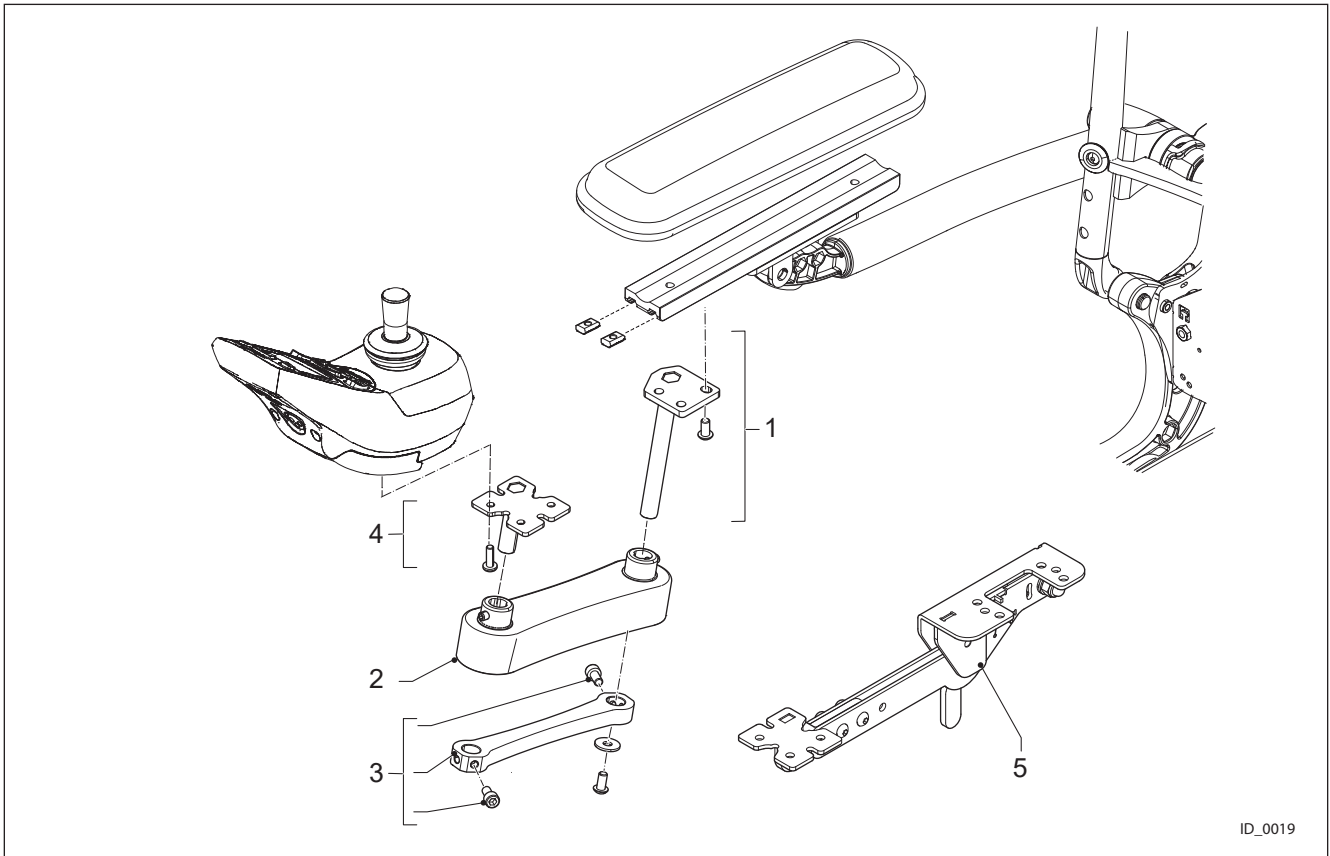


ID\_0017

Pos.	Partno.	Description
1	4101689	Actuator 2500 N 60 mm
1	4102719	Actuator PCL 2500N 90 MM 175 degr.
2	4101878	Main Part PCL
2	4102619	Main Part PCL Extended
3	4101318	Calf Plate Bracket CL
4	4101345	Calf Plate Central Leg Rest (set)
5	4102802	Weld Assy Foot Plate Wide Left
6	4102801	Weld Assy Foot Plate Wide Right
7	4102807	Weld Assy Foot Plate Single Small
7	4102808	Weld Assy Foot Plate Single Wide
8	4102794	Weld Assy Foot Plate Small Right
9	4102795	Weld Assy Foot Plate Small Left
10	4103019	Foot Plate Adjuster Left
11	4103020	Foot Plate Adjuster Right

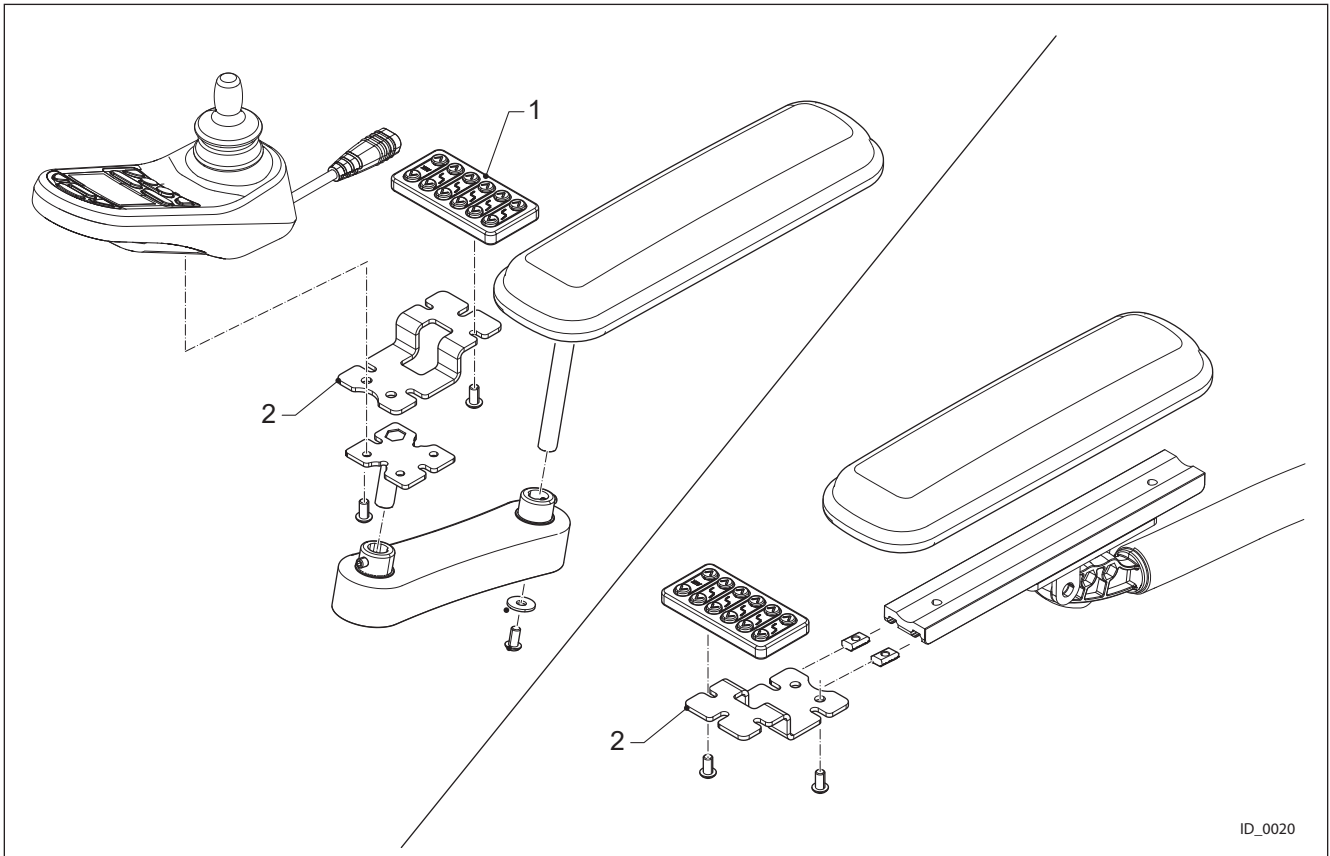


Pos.	Partno.	Description
1	4101293	Fixed Central Leg Rest
2	4102794	Weld Assy Foot Plate Small Right
3	4102795	Weld Assy Foot Plate Small Left
4	4102801	Weld Assy Foot Plate Wide Right
5	4102802	Weld Assy Foot Plate Wide Left
6	4102807	Weld Assy Foot Plate Single Small
6	4102808	Weld Assy Foot Plate Single Wide
7	4103019	Foot Plate Adjuster Left
8	4103020	Foot Plate Adjuster Right



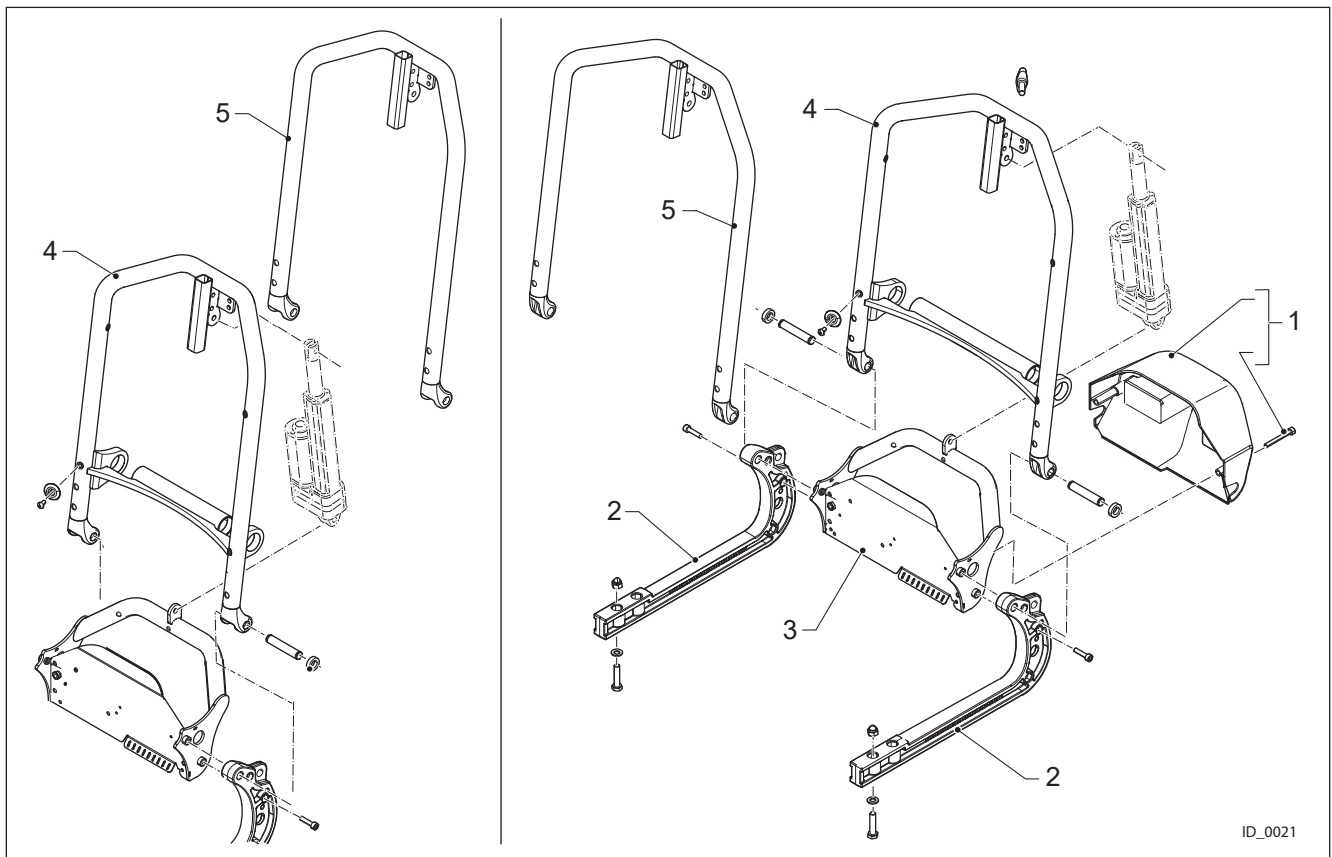
ID\_0019

Pos.	Partno.	Description
1	4101145	Swing Down Bracket 1 Right
1	4101346	Swing Down Bracket 1 Left
2	4100379	Remote Swing Away Module
3	4100539	Fixed Remote Bracket
4	4101148	Swing Down Bracket Remote Right
4	4101347	Swing Down Bracket remote Left
5	4102574	Flip Down JSM Bracket Right
5	4102573	Flip Down JSM Bracket Left



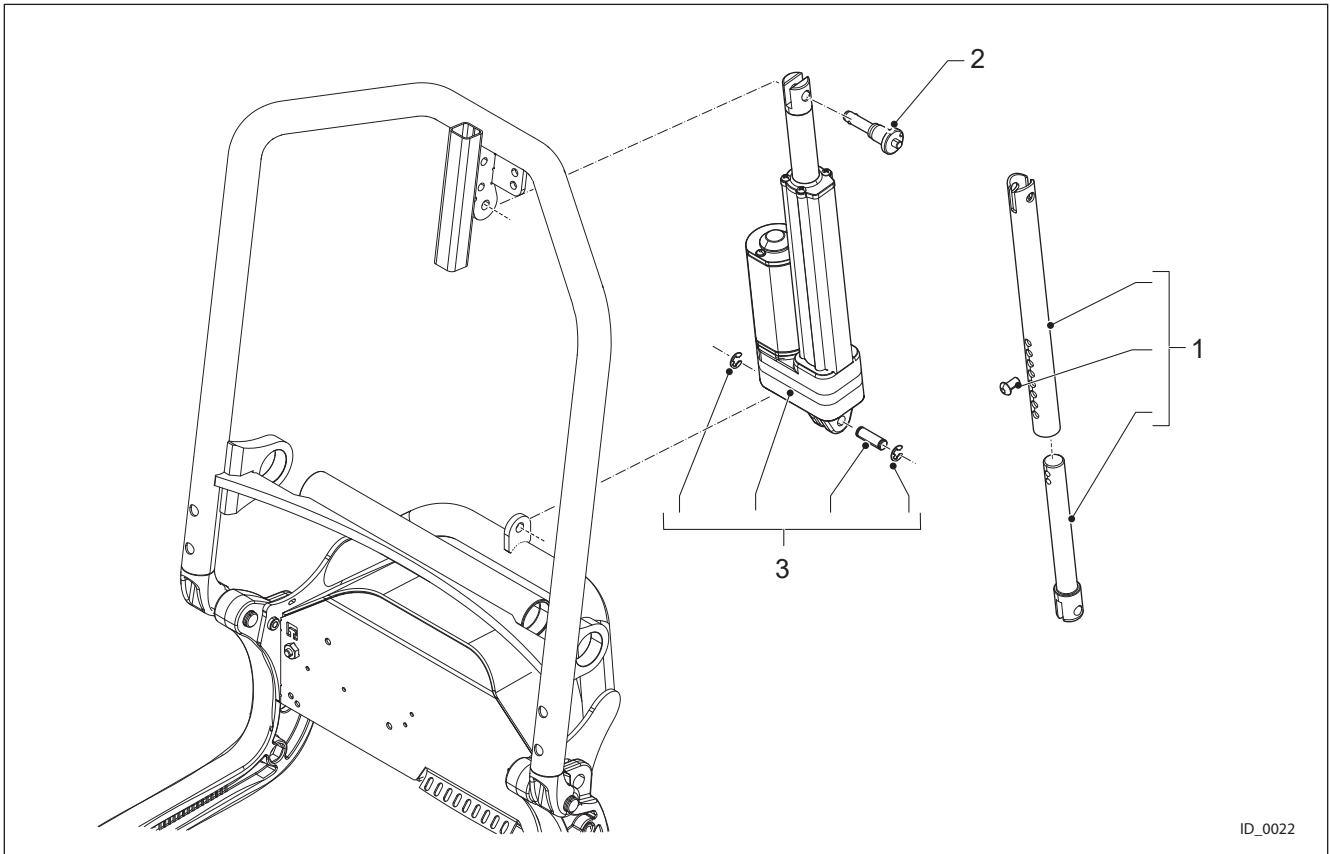
ID\_0020

Pos.	Partno.	Description
1	4101208	Switch Box R-net Direct Access JSM1
1	4101791	Switch Box R-net Direct Access CJSM2
2	4102103	Support Bracket Remote R-net
2	4103090	Bracket LiNX Switch Box



ID\_0021

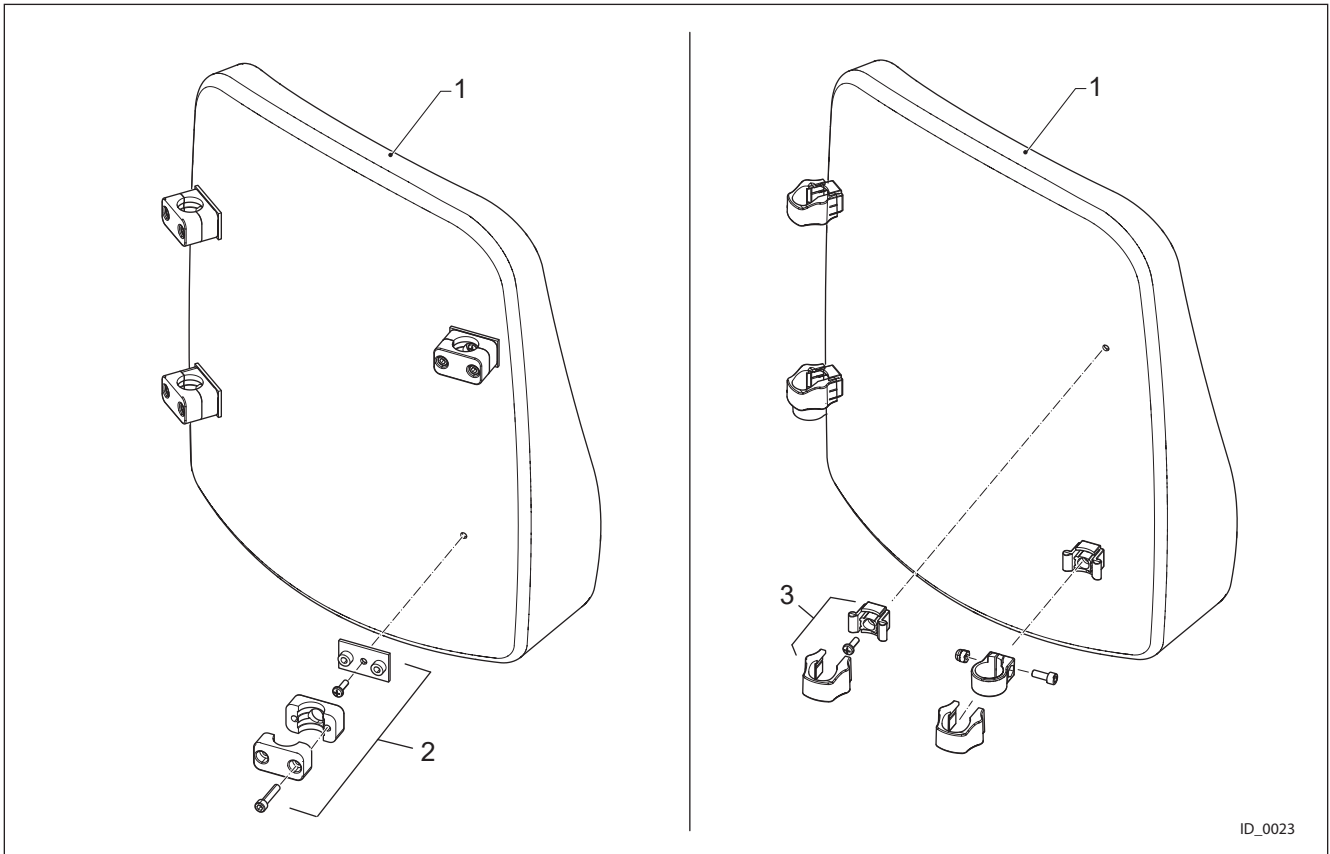
Pos.	Partno.	Description
1	4100429	Cover Electronics
2	4100373	Adjustment Slider Seat Depth
3	4100417	Recline Support weld assy
4	4100427	Backrest Frame Standard Complete
4	4100498	Backrest Frame Small Weld Assy
5	4101230	Back Rest Frame Std Width Basic
5	4101231	Back Rest Frame Small Width Basic



ID\_0022

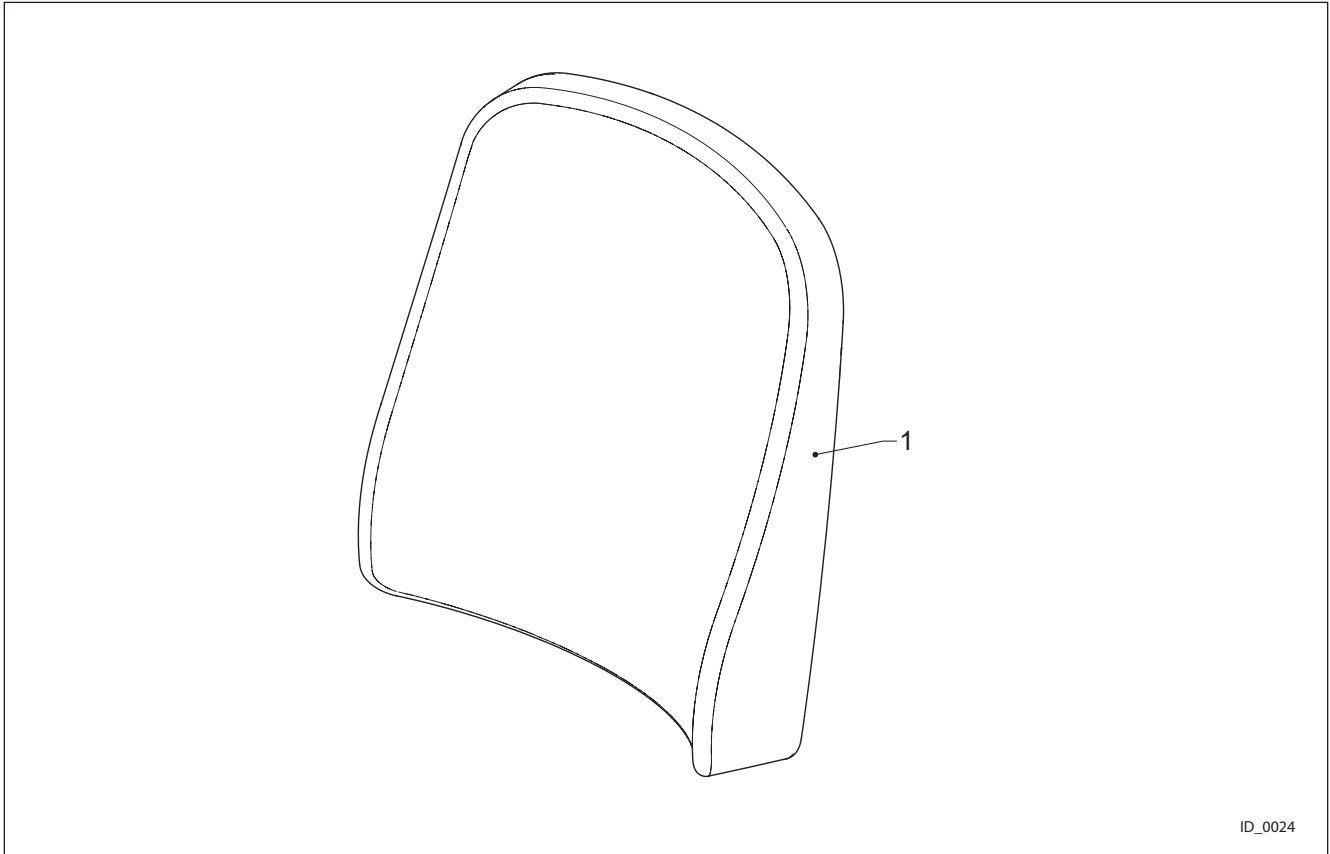
Pos.	Partno.	Description
1	4100545	Mechanical Recline Set
2	4100606	Quick Release Pin
3	4101181	Recline Actuator Agilo up to SN 21000191
3	4102792	Recline actuator Agilo from SN 21000192 (05-08-2021)



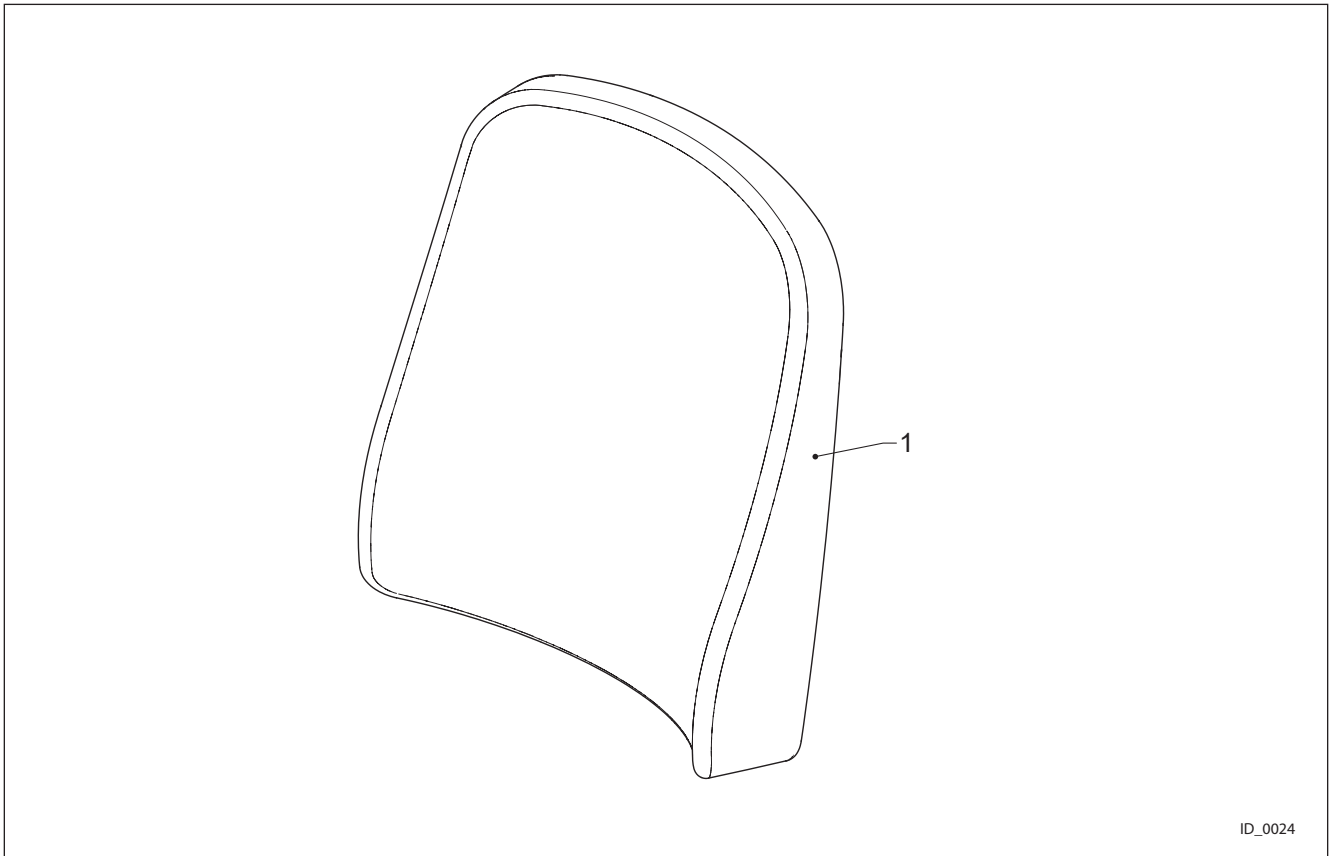


ID\_0023

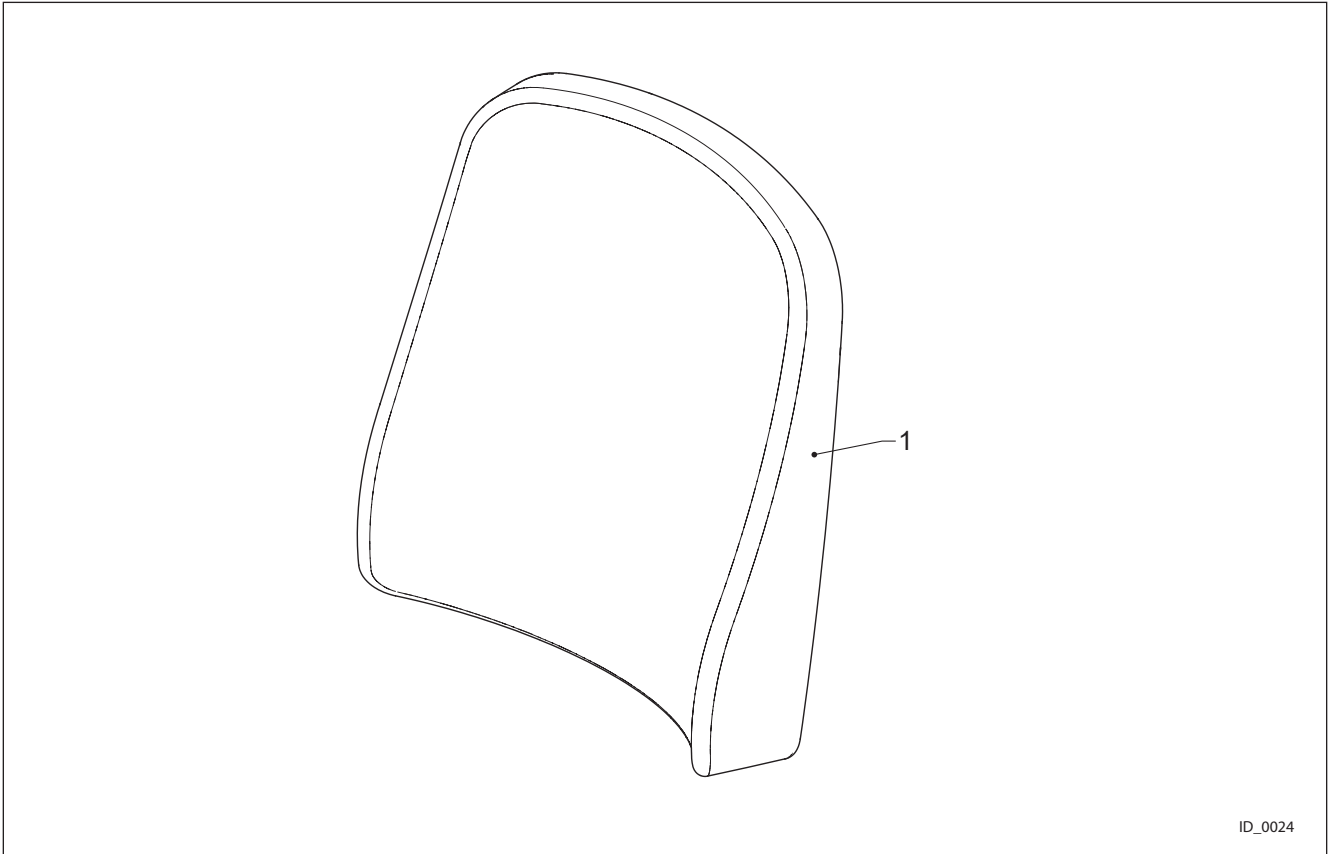
Pos.	Partno.	Description
1	002-13b-X10	Backrests
2	4101570	Mounting Set Flexible Backrest
3	4101825	Backrest Cushion Mounting Set



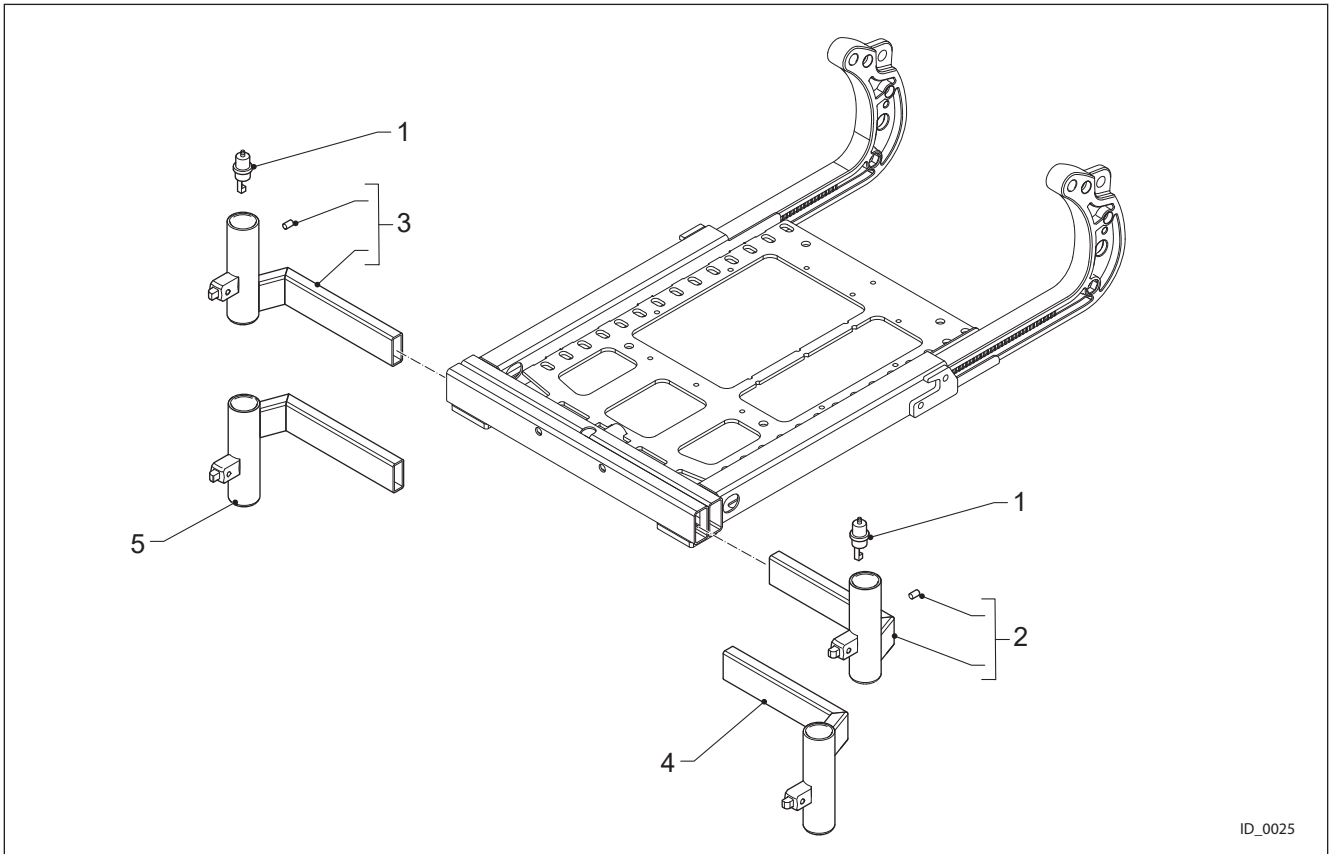
Pos.	Partno.	Description
1	4100710	Contour Backrest Special
1	4100711	Contour Backrest with adjustable horizontal straps Special
1	4100712	Contour Backrest with Lumbar Support Special
1	4100713	Contour Backrest with vertical elastic straps Special
1	4100722	Deep Contour Backrest FLEX, with adj. horiz. 42x50 Stretch Rubber
1	4100723	Deep Contour Backrest FLEX, with adj. horiz. 42x57 Stretch Rubber
1	4100724	Deep Contour Backrest FLEX, with adj. horiz. 46x50 Stretch Rubber
1	4100725	Deep Contour Backrest FLEX, with adj. horiz. 46x57 Stretch Rubber
1	4100726	Deep Contour Backrest FLEX, with adj. horiz. 50x50 Stretch Rubber
1	4100727	Deep Contour Backrest FLEX, with adj. horiz. 50x57 Stretch Rubber
1	4100728	Deep Contour Backrest FLEX, with adj. horiz. 54x50 Stretch Rubber
1	4100729	Deep Contour Backrest FLEX, with adj. horiz. 54x57 Stretch Rubber
1	4100730	Deep Contour Backrest FLEX, with adj. hor.straps Special
1	4100731	Deep Contour Backrest FLEX, with ad. horiz. 36x45, Agilo Air
1	4100732	Deep Contour Backrest FLEX, with adj. horiz. 36x50, Agilo Air
1	4100733	Deep Contour Backrest FLEX, with adj. horiz. 39x50, Agilo Air
1	4100734	Deep Contour Backrest FLEX, with adj. horiz. 42x50, Agilo Air
1	4100735	Deep Contour Backrest FLEX, with adj. horiz. 42x57, Agilo Air
1	4100736	Deep Contour Backrest FLEX, with adj. horiz. 46x50, Agilo Air



Pos.	Partno.	Description
1	4100737	Deep Contour Backrest FLEX, with adj. horiz. 46x57, Agilo Air
1	4100738	Deep Contour Backrest FLEX, with adj. horiz. 50x50, Agilo Air
1	4100739	Deep Contour Backrest FLEX, with adj. horiz. 50x57, Agilo Air
1	4100740	Deep Contour Backrest FLEX, with adj. horiz. 54x50, Agilo Air
1	4100741	Deep Contour Backrest FLEX, with adj. horiz. 54x57, Agilo Air
1	4100742	Deep Contour Backrest Special
1	4100743	Deep Contour Backrest with adj hor. straps Special
1	4100744	Deep Contour Backrest with vertical elastic straps 36x45, Agilo Air
1	4100745	Deep Contour Backrest with vertical elastic straps 36x50, Agilo Air
1	4100746	Deep Contour Backrest with vertical elastic straps 39x50, Agilo Air
1	4100747	Deep Contour Backrest with vertical elastic straps 42x50, Agilo Air
1	4100748	Deep Contour Backrest with vertical elastic straps 42x57, Agilo Air
1	4100749	Deep Contour Backrest with vertical elastic straps 46x50, Agilo Air
1	4100750	Deep Contour Backrest with vertical elastic straps 46x57, Agilo Air
1	4100751	Deep Contour Backrest with vertical elastic straps 50x50, Agilo Air
1	4100752	Deep Contour Backrest with vertical elastic straps 50x57, Agilo Air
1	4100753	Deep Contour Backrest with vertical elastic straps 54x50, Agilo Air
1	4100754	Deep Contour Backrest with vertical elastic straps 54x57, Agilo Air
1	4100757	Extra Deep Contour Backrest 36x45, Agilo Air

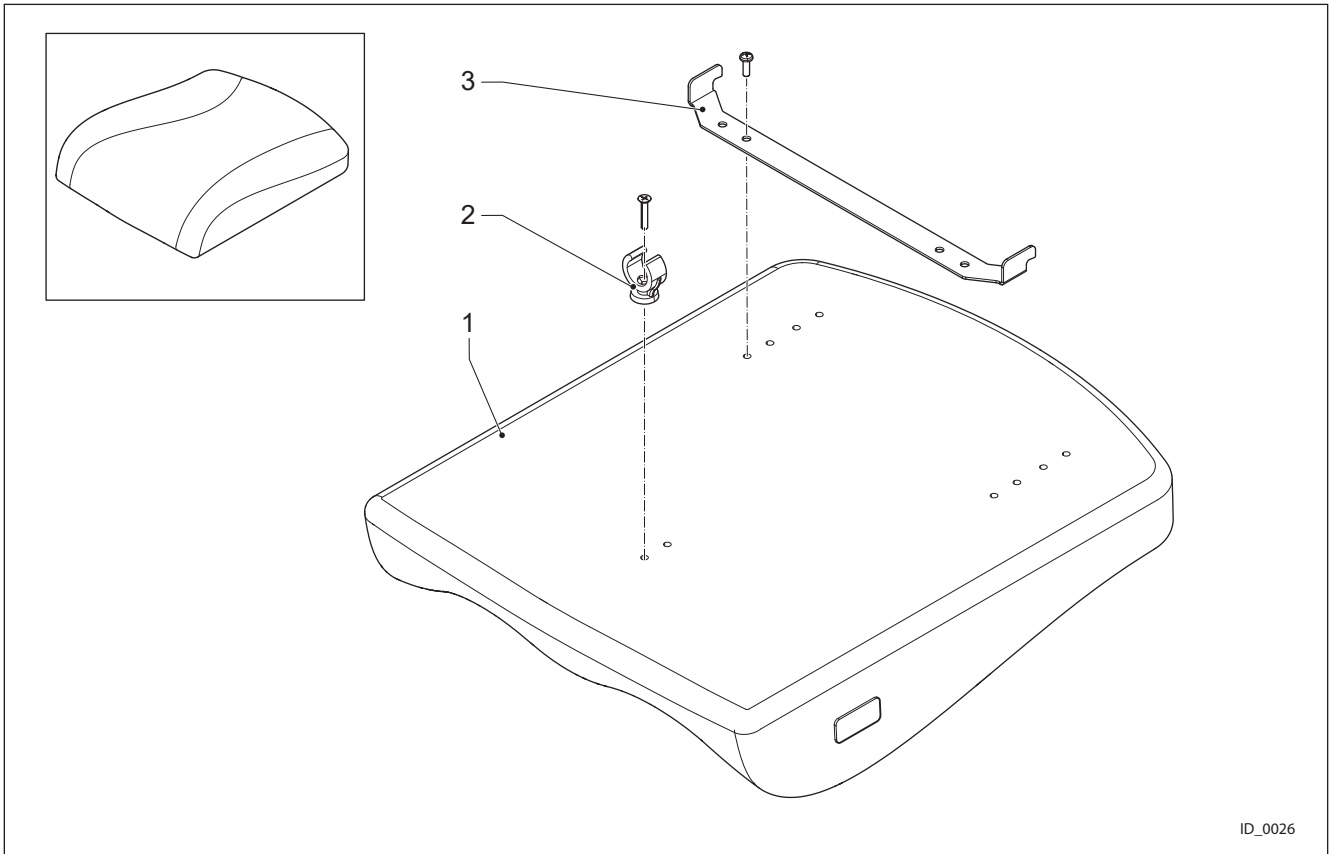


Pos.	Partno.	Description
1	4100758	Extra Deep Contour Backrest 36x50, Agilo Air
1	4100759	Extra Deep Contour Backrest 39x50, Agilo Air
1	4100760	Extra Deep Contour Backrest Special
1	4100765	Extra Deep Contour Backrest, with hor. adj. straps 42x50, Agilo Air
1	4100766	Extra Deep Contour Backrest, with hor. adj. straps 42x57, Agilo Air
1	4100767	Extra Deep Contour Backrest, with hor. adj. straps 46x50, Agilo Air
1	4100768	Extra Deep Contour Backrest, with hor. adj. straps 46x57, Agilo Air
1	4100769	Extra Deep Contour Backrest, with hor. adj. straps 50x50, Agilo Air
1	4100770	Extra Deep Contour Backrest, with hor. adj. straps 50x57, Agilo Air
1	4100771	Extra Deep Contour Backrest, with hor. adj. straps 54x50, Agilo Air
1	4100772	Extra Deep Contour Backrest, with hor. adj. straps 54x57, Agilo Air
1	4100857	Standard Contour Back Rest 36x45, Agilo Air
1	4100858	Standard Contour Back Rest 36x50, Agilo Air
1	4100859	Standard Contour back Rest 39x50, Agilo Air
1	4100962	Support Back Rest 36x45, Agilo Air
1	4100963	Support Back Rest 36x50, Agilo Air
1	4100964	Support Back Rest 39x50, Agilo Air



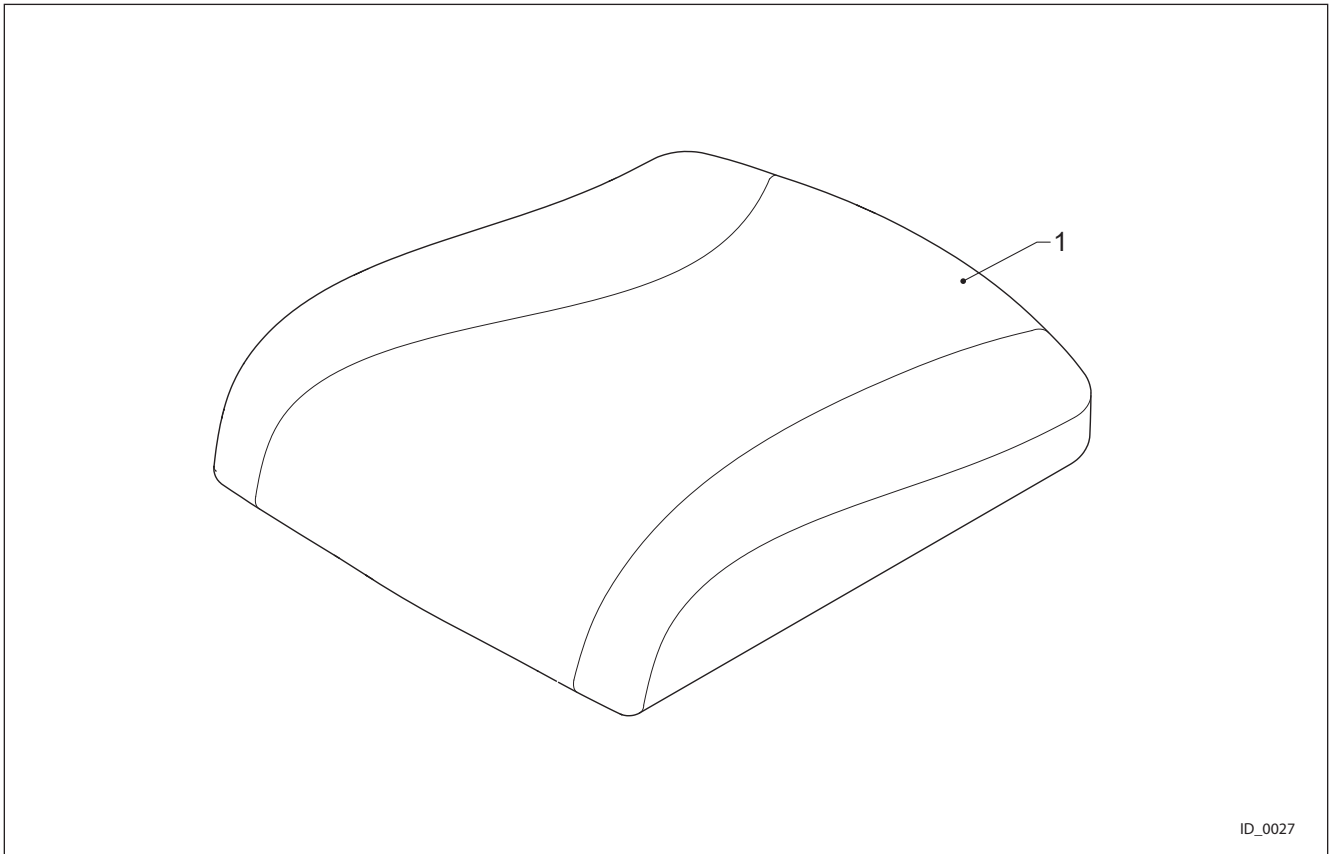
ID\_0025

Pos.	Partno.	Description
1	4100569	Legrest Harness
2	4100600	Leg Rest Socket Left
3	4100599	Leg Rest Socket Right
4	4102558	Leg Rest Socket Left Low version
5	4102559	Leg Rest Socket Right Low version

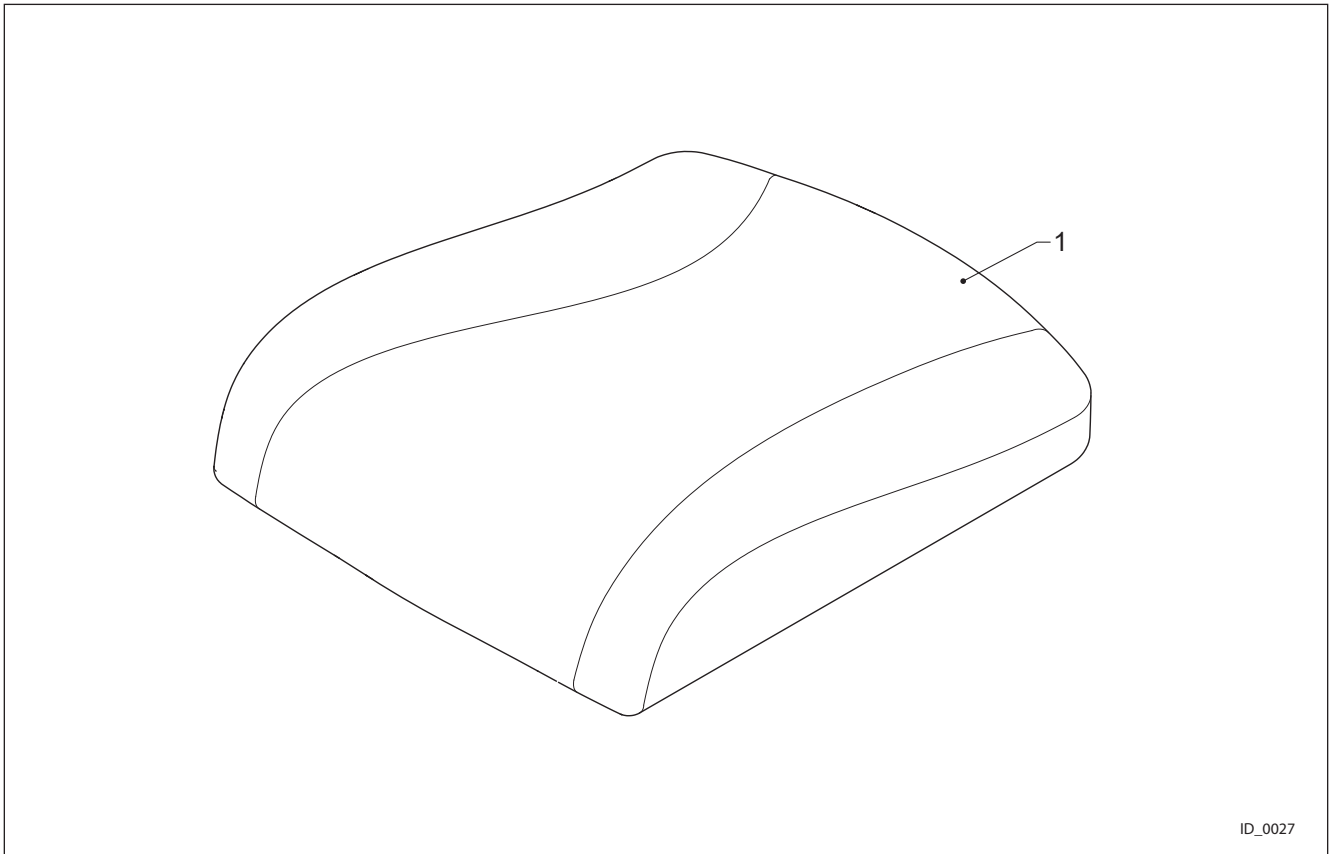


ID\_0026

Pos.	Partno.	Description
1	002-19-X10	Seat-cushions
2	4100605	Seat Cushion Clamp
3	4100512	Rear Bracket Seat Cushion



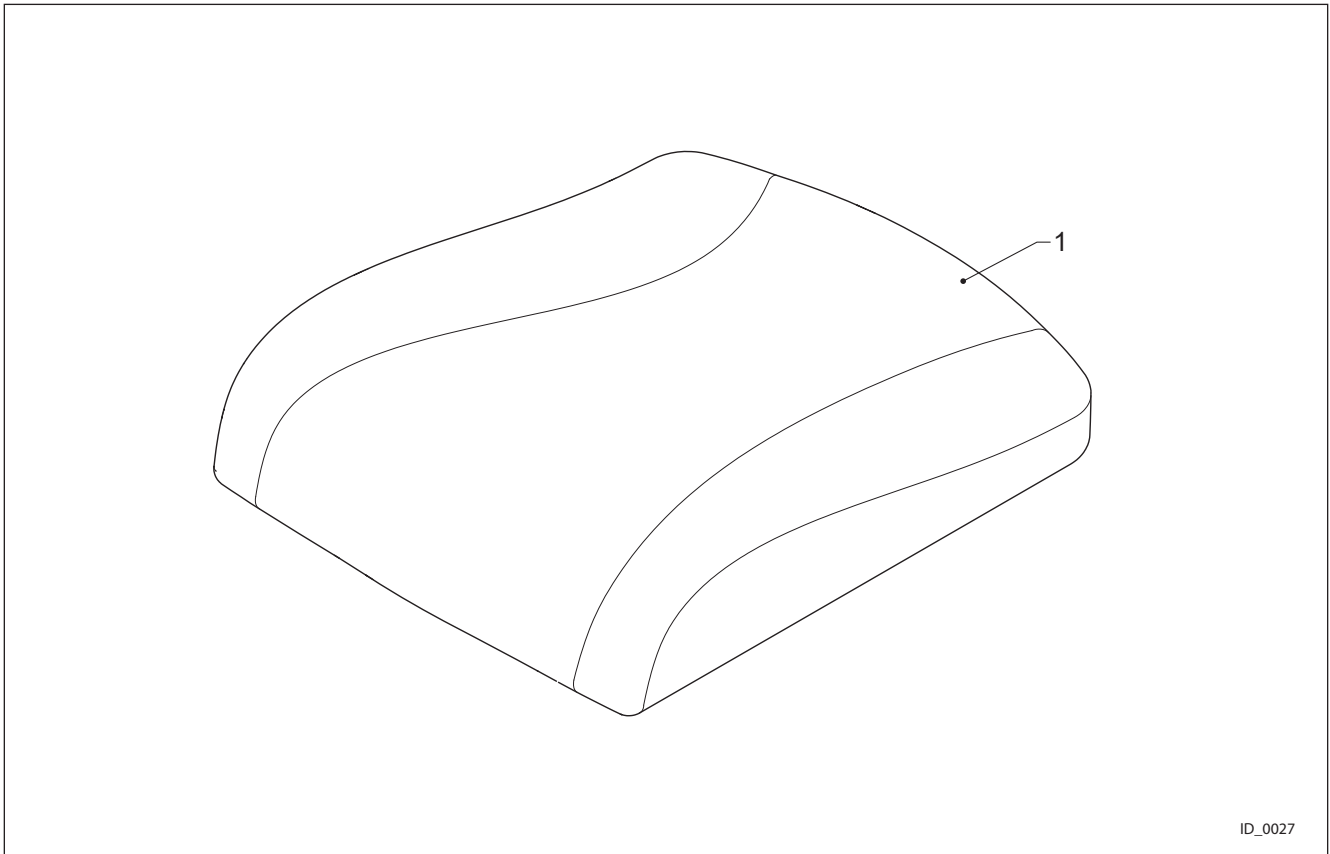
Pos.	Partno.	Description
1	4100806	Memory Foam Seat 36x40, Stretch Rubber
1	4100807	Memory Foam Seat 36x40, Agilo Air
1	4100808	Memory Foam Seat 36x45, Stretch Rubber
1	4100809	Memory Foam Seat 36x45, Agilo Air
1	4100810	Memory Foam Seat 39x45, Stretch Rubber
1	4100811	Memory Foam Seat 39x45, Agilo Air
1	4100812	Memory Foam Seat 39x48, Stretch Rubber
1	4100813	Memory Foam Seat 39x48, Agilo Air
1	4100814	Memory Foam Seat 42x48, Stretch Rubber
1	4100815	Memory Foam Seat 42x48, Agilo Air
1	4100816	Memory Foam Seat 42x55, Stretch Rubber
1	4100817	Memory Foam Seat 42x55, Agilo Air
1	4100818	Memory Foam Seat 46x48, Stretch Rubber
1	4100819	Memory Foam Seat 46x48, Agilo Air
1	4100820	Memory Foam Seat 46x55, Stretch Rubber
1	4100821	Memory Foam Seat 46x55, Agilo Air
1	4100822	Memory Foam Seat 50x48, Stretch Rubber
1	4100823	Memory Foam Seat 50x48, Agilo Air
1	4100824	Memory Foam Seat 50x55, Stretch Rubber



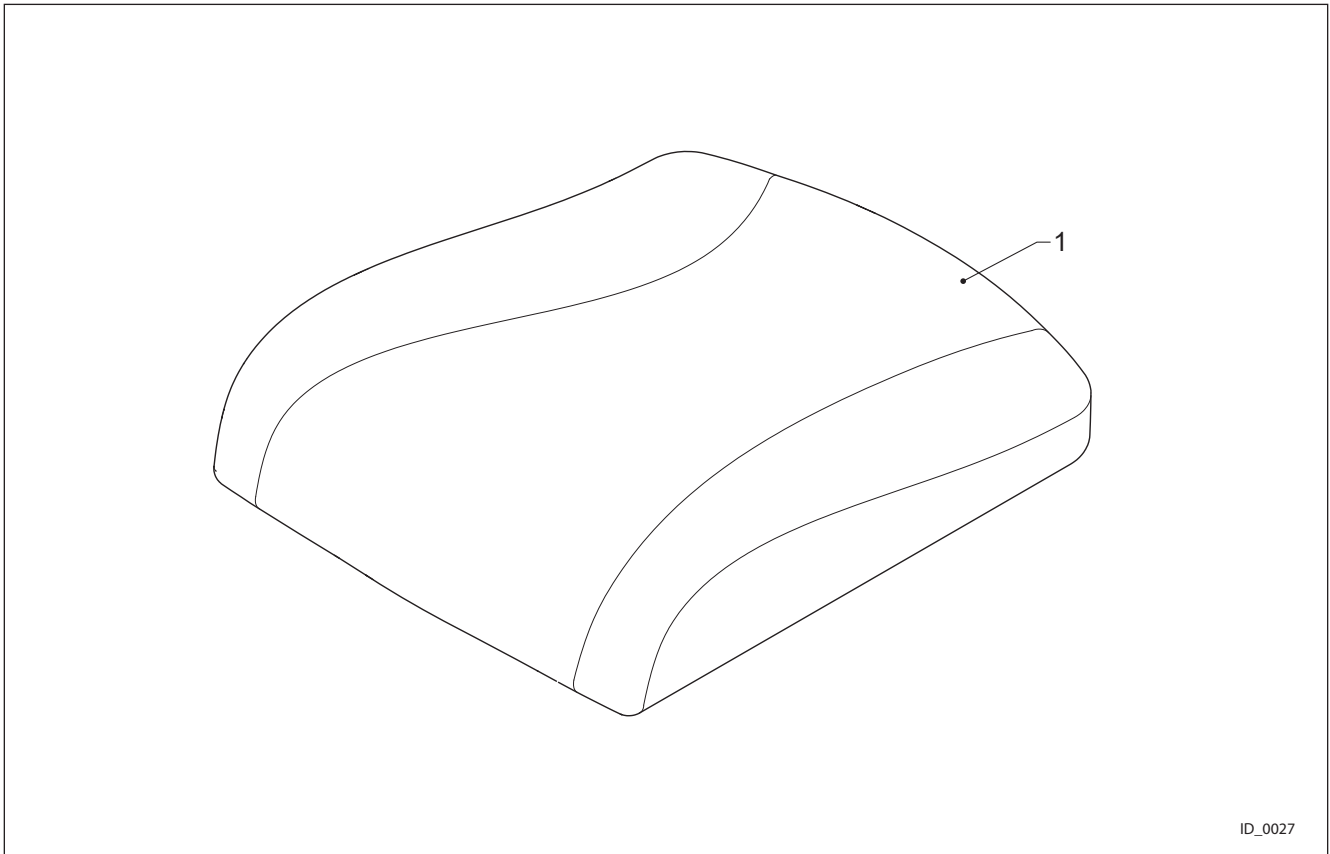
ID\_0027

Pos.	Partno.	Description
1	4100825	Memory Foam Seat 50x55, Agilo Air
1	4100826	Memory Foam Seat 54x48, Stretch Rubber
1	4100827	Memory Foam Seat 54x48, Agilo Air
1	4100828	Memory Foam Seat 54x55, Stretch Rubber
1	4100829	Memory Foam Seat 54x55, Agilo Air
1	4100830	Memory Foam Seat Special
1	4100864	Standard Contour Seat 36x40, Agilo Air
1	4100865	Standard Contour Seat 36x45, Agilo Air
1	4100870	Standard Contour Seat 39x45, Agilo Air
1	4100871	Standard Contour Seat 39x48 Agilo Air
1	4100872	Standard Contour Seat 42x48 Agilo Air
1	4100873	Standard Contour Seat 42x55 Agilo Air
1	4100874	Standard Contour Seat 46x48 Agilo Air
1	4100875	Standard Contour Seat 46x55 Agilo Air
1	4100876	Standard Contour Seat 50x48 Agilo Air
1	4100877	Standard Contour Seat 50x55 Agilo Air
1	4100878	Standard Contour Seat 54x48 Agilo Air
1	4100879	Standard Contour Seat 54x55 Agilo Air
1	4100889	Contour Seat Special

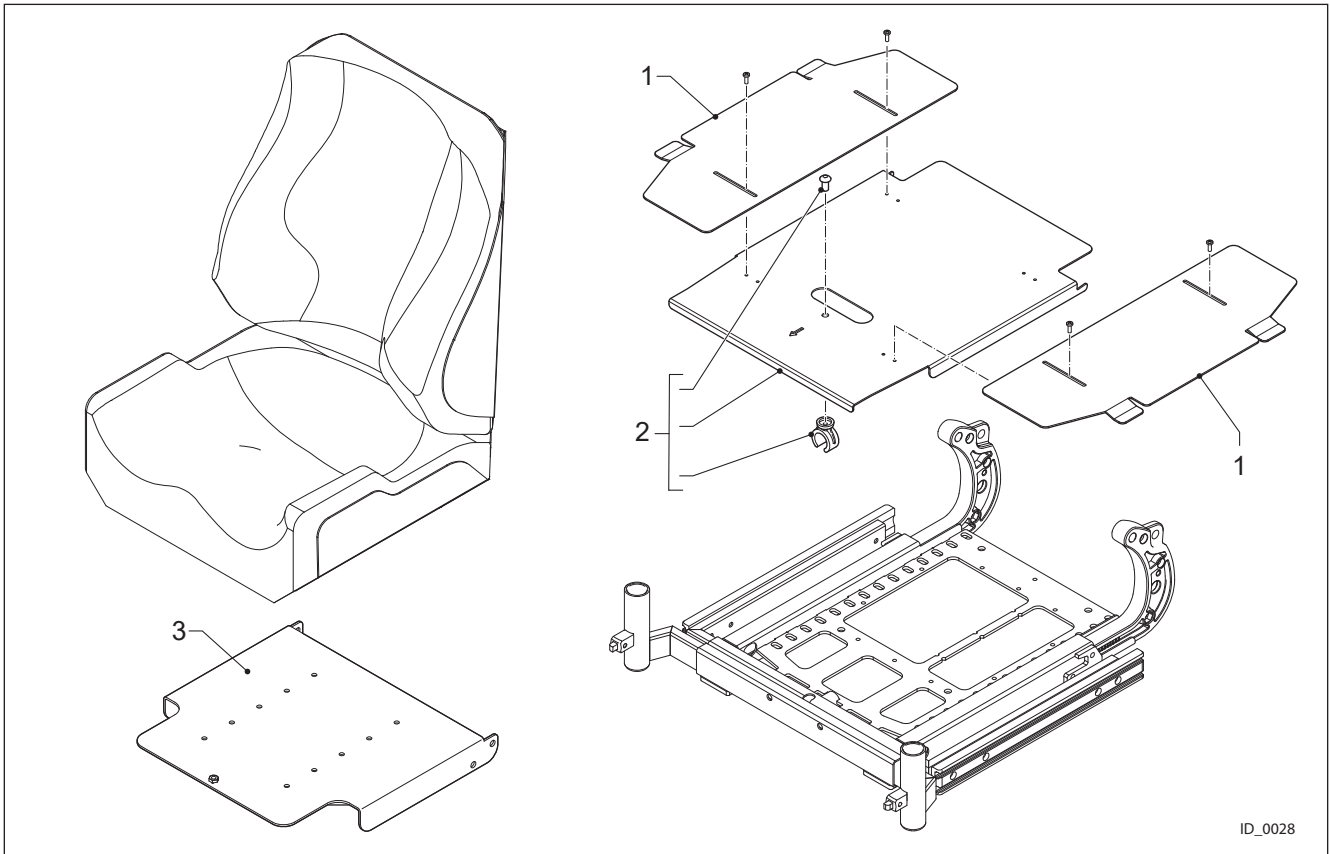




Pos.	Partno.	Description
1	4100901	Standard Contour Seat 36x40, Agilo Skin
1	4100902	Standard Contour Seat 36x45, Agilo Skin
1	4100903	Standard Contour Seat 39x45, Agilo Skin
1	4100904	Standard Contour Seat 39x48, Agilo Skin
1	4100905	Standard Contour Seat 42x48, Agilo Skin
1	4100906	Standard Contour Seat 42x55, Agilo Skin
1	4100907	Standard Contour Seat 46x48, Agilo Skin
1	4100908	Standard Contour Seat 46x55, Agilo Skin
1	4100909	Standard Contour Seat 50x48, Agilo Skin
1	4100910	Standard Contour Seat 50x55, Agilo Skin
1	4100911	Standard Contour Seat 54x48, Agilo Skin
1	4100912	Standard Contour Seat 54x55, Agilo Skin
1	4100978	Support Seat 36x40, Stretch Rubber
1	4100979	Support Seat 36x40, Agilo Air
1	4100981	Support Seat 36x45, Stretch Rubber
1	4100982	Support Seat 36x45, Agilo Air
1	4100988	Support Seat 39x45, Stretch Rubber
1	4100989	Support Seat 39x45, Agilo Air
1	4100991	Support Seat 39x48, Stretch Rubber

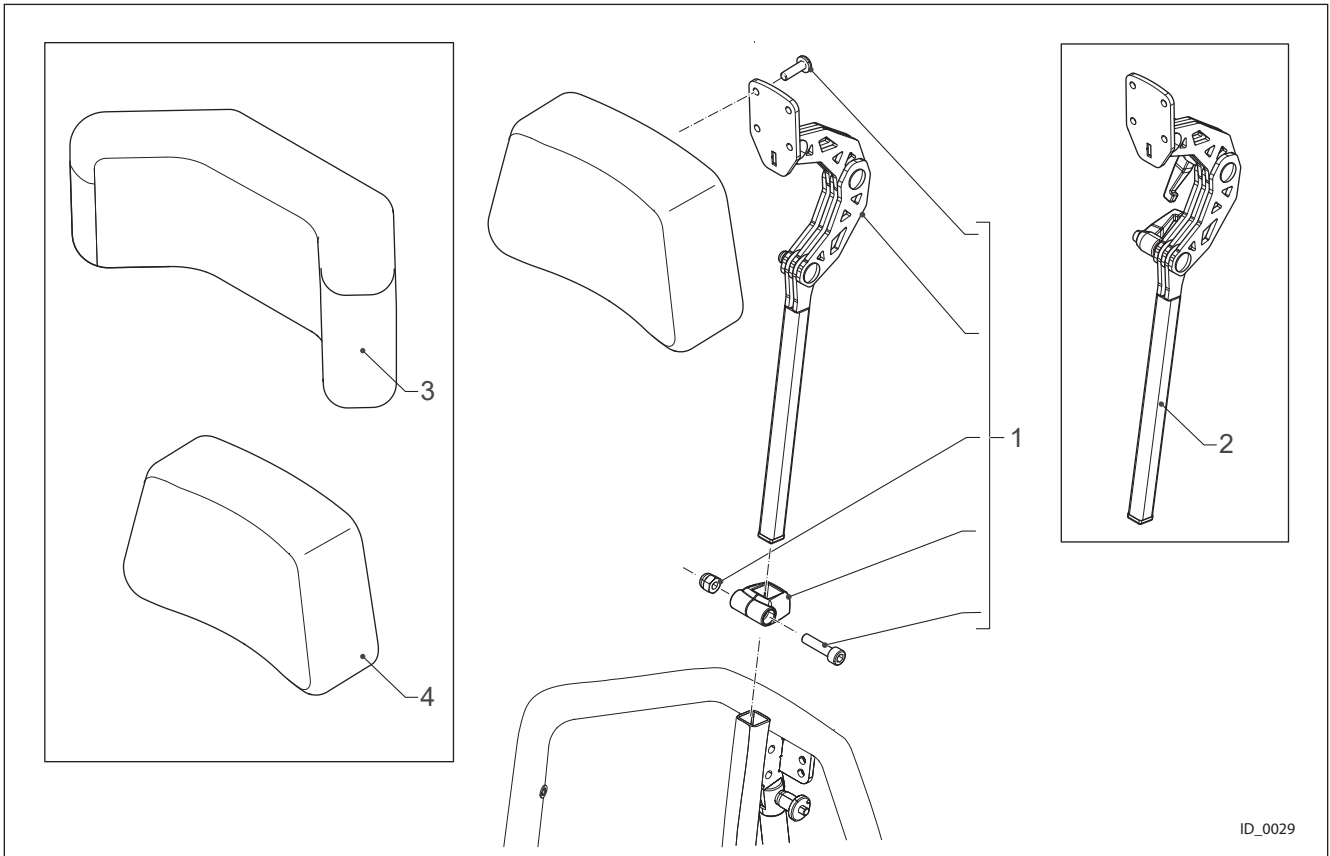


Pos.	Partno.	Description
1	4100992	Support Seat 39x48, Agilo Air
1	4100993	Support Seat 42x48, Stretch Rubber
1	4100994	Support Seat 42x48, Agilo Air
1	4100995	Support Seat 42x55, Stretch Rubber
1	4100996	Support Seat 42x55, Agilo Air
1	4100997	Support Seat 46x48, Stretch Rubber
1	4100998	Support Seat 46x48, Agilo Air
1	4100999	Support Seat 46x55, Stretch Rubber
1	4101000	Support Seat 46x55, Agilo Air
1	4101001	Support Seat 50x48, Stretch Rubber
1	4101002	Support Seat 50x48, Agilo Air
1	4101003	Support Seat 50x55, Stretch Rubber
1	4101004	Support Seat 50x55, Agilo Air
1	4101005	Support Seat 54x48, Stretch Rubber
1	4101006	Support Seat 54x48, Agilo Air
1	4101007	Support Seat 54x55, Stretch Rubber
1	4101008	Support Seat 54x55, Agilo Air

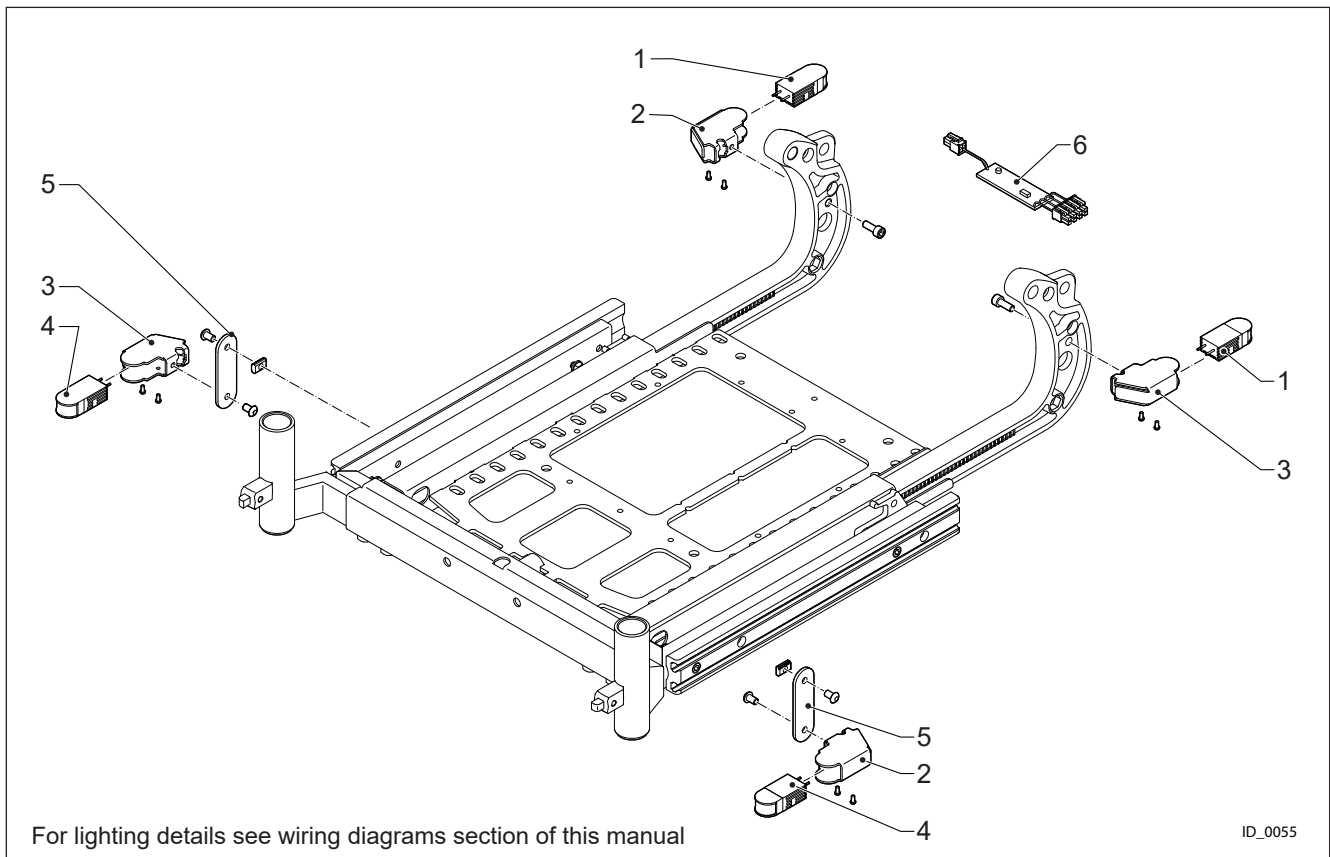


ID\_0028

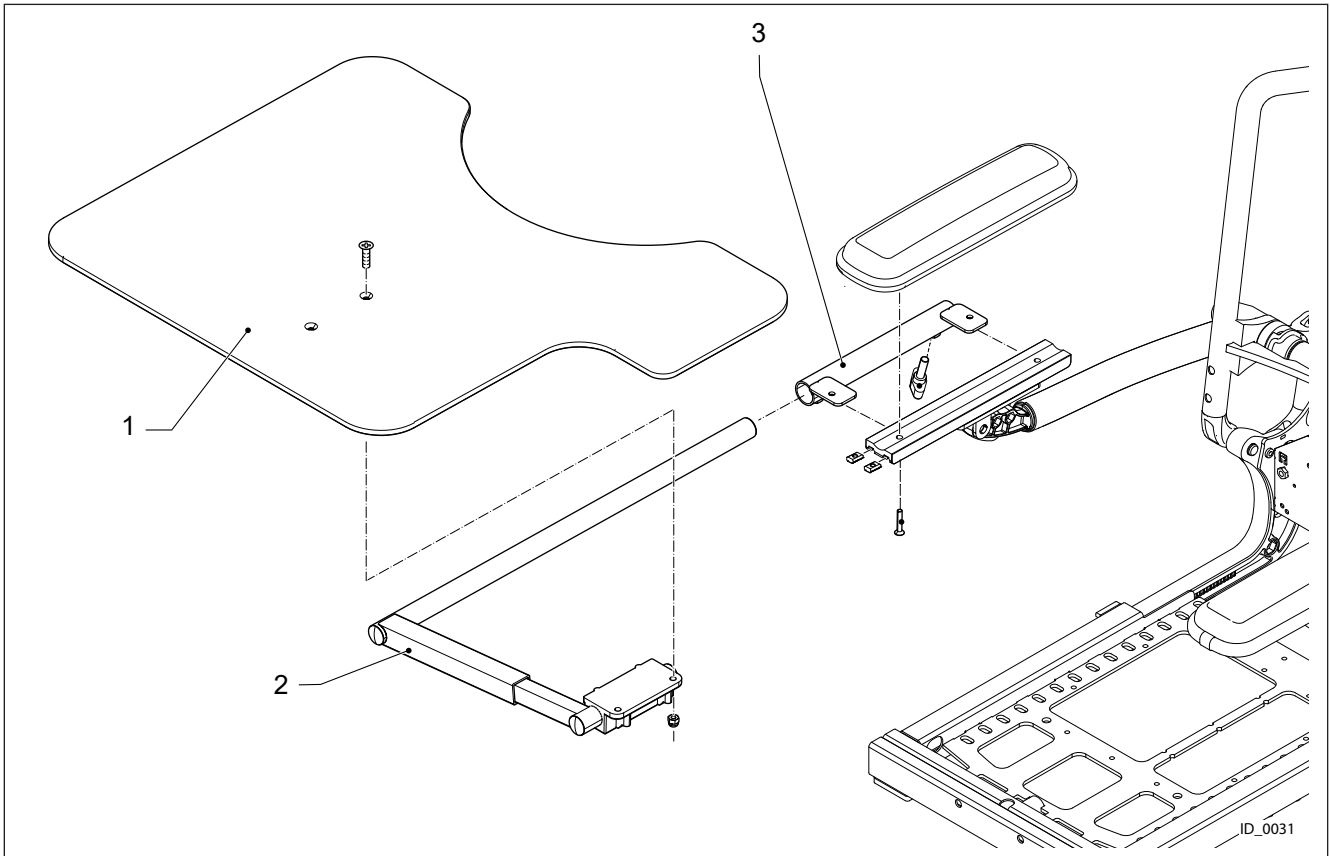
Pos.	Partno.	Description
1	4101982	Seat Plate Extension
2	4101129	Seat Plate Small
3	4102884	Universal Seat Interface



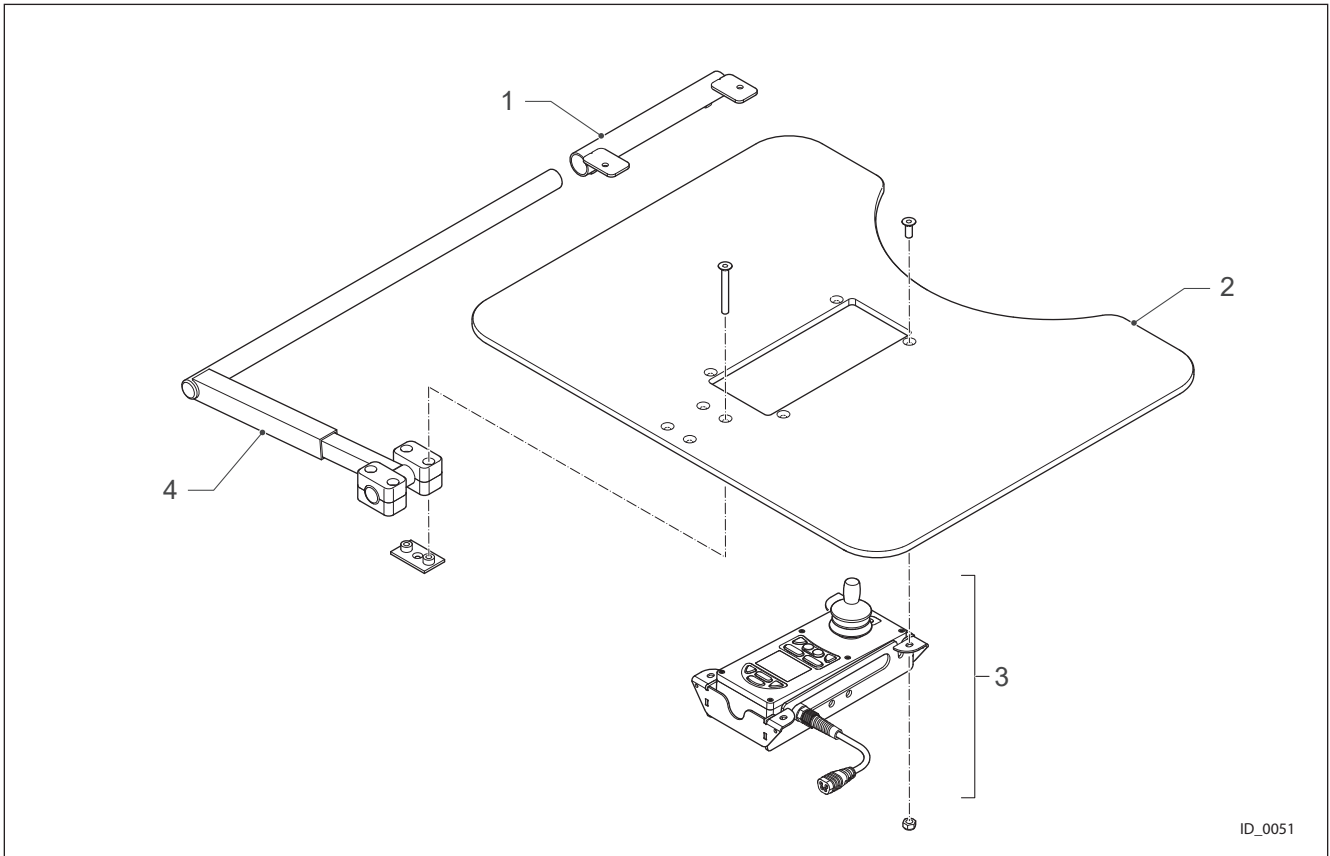
Pos.	Partno.	Description
1	4100630	Headrest Support Assembly
2	4101065	Head Rest Mounting with Levers
3	4100776	Head Rest Flex Small
4	4100622	Head Rest Standard Upholstered



Pos.	Partno.	Description
1	4102817	Rear Light Standard (Left = Right)
2	4102865	Lighting Mounting Tube A
3	4102864	Lighting Mounting Tube B
4	4102816	Front Light Mk2
5	4101113	Front Light Mounting Bracket
6	4102818	Lighting PCB PGDT Mk2
6	4103060	Lighting PCB LiNX Mk2

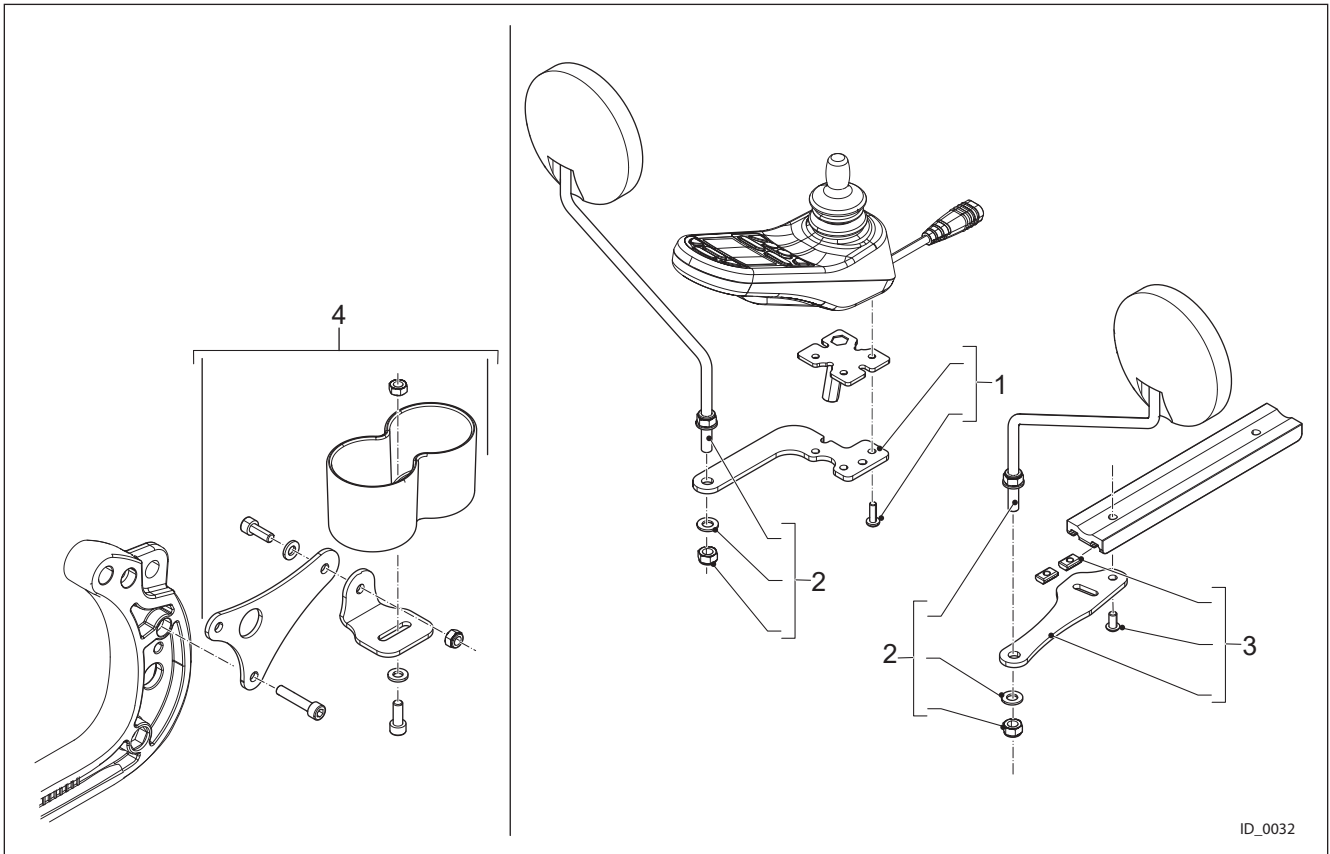


Pos.	Partno.	Description
1	4101177	Universal Tray with Recess L-R
2	4101172	Tray Mounting Set universal
3	4101163	Tray Mount Weld Assy



ID\_0051

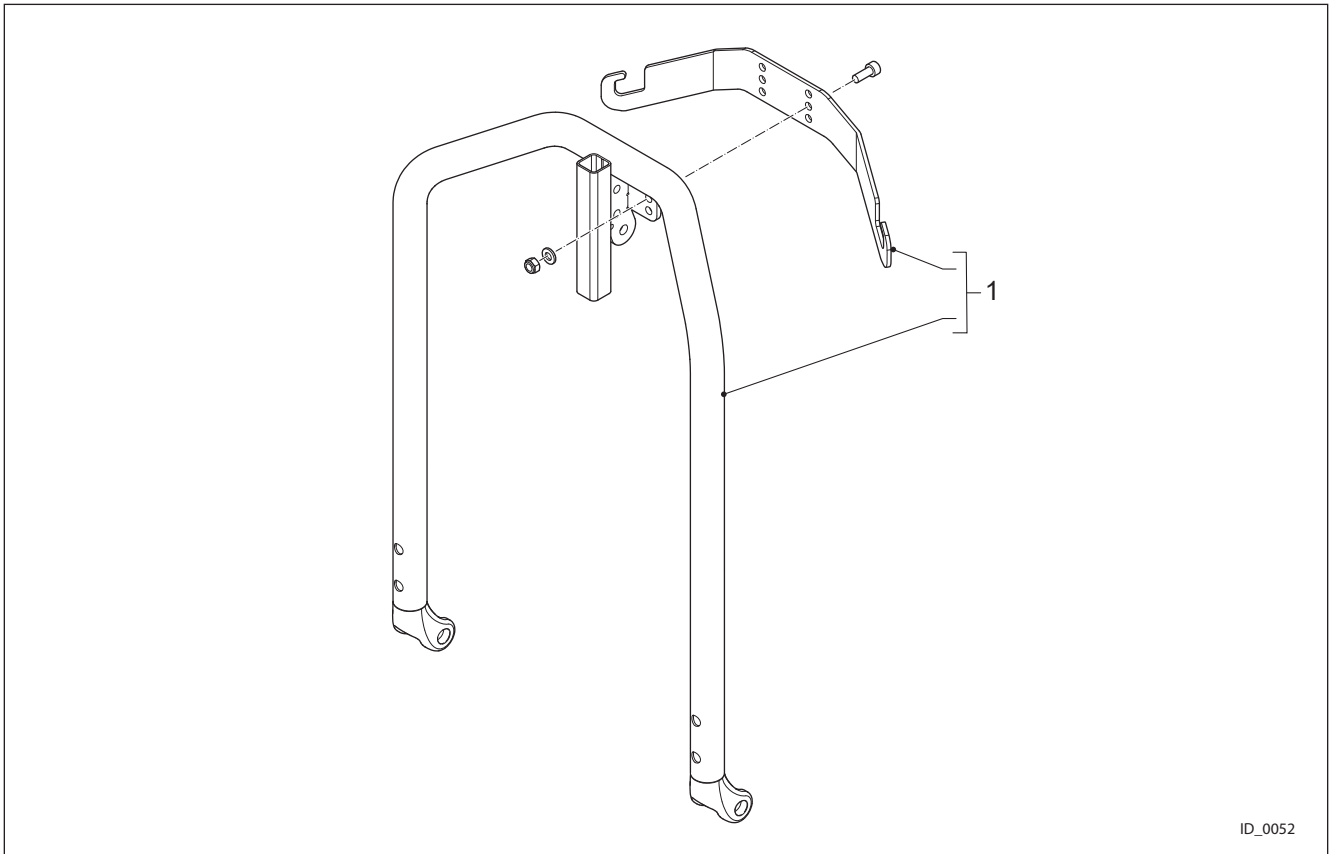
Pos.	Partno.	Description
1	4101163	Tray Mount Weld Assy
2	4101178	Tray for integrated Remote
3	4102338	Tray Remote Assembly
4	4101206	Tray Mounting Mid tray



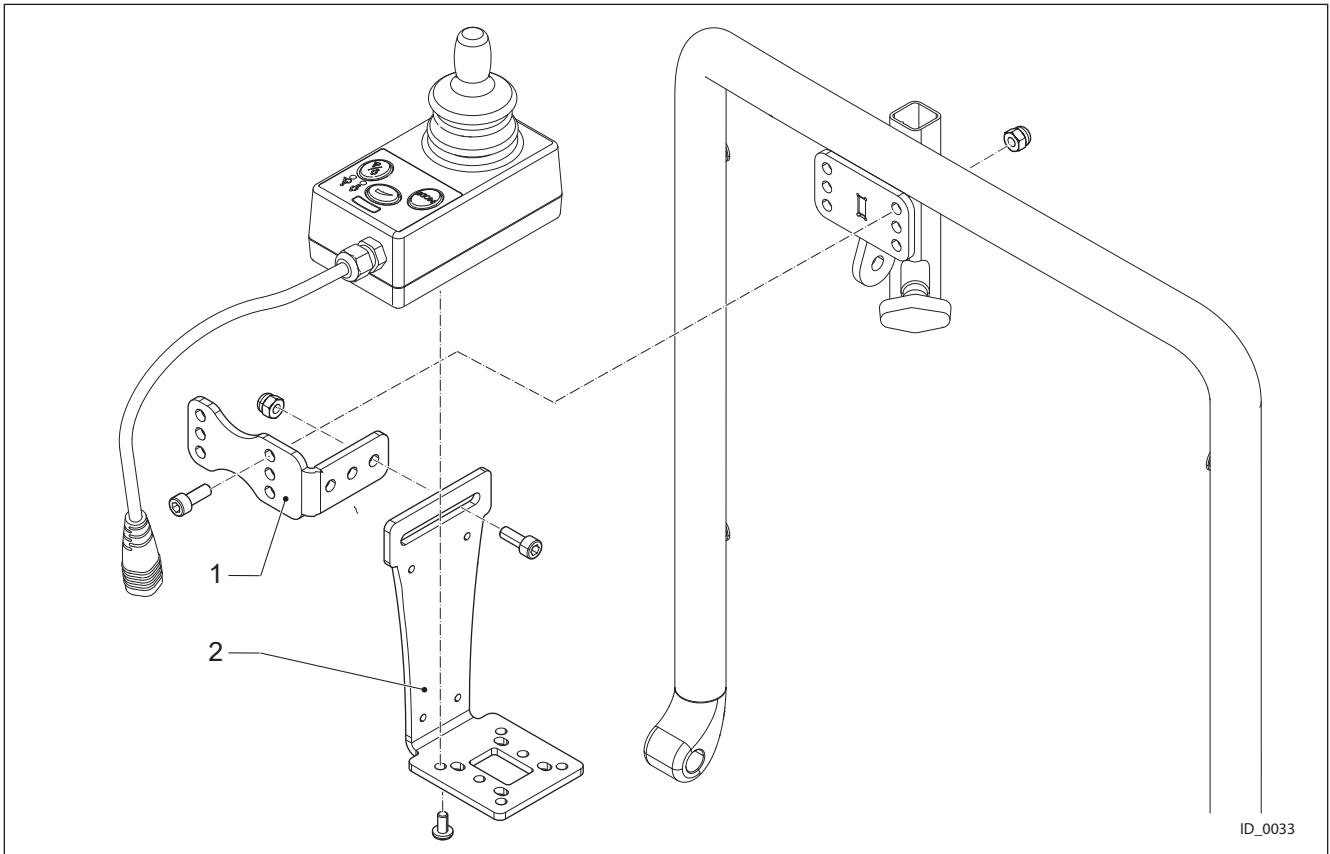
ID\_0032

Pos.	Partno.	Description
1	4101180	Mirror Bracket JSM Side
2	4101175	Mirror
3	4101179	Mirror Bracket non-JSM Side
4	4101174	Cane/Crutch Holder set



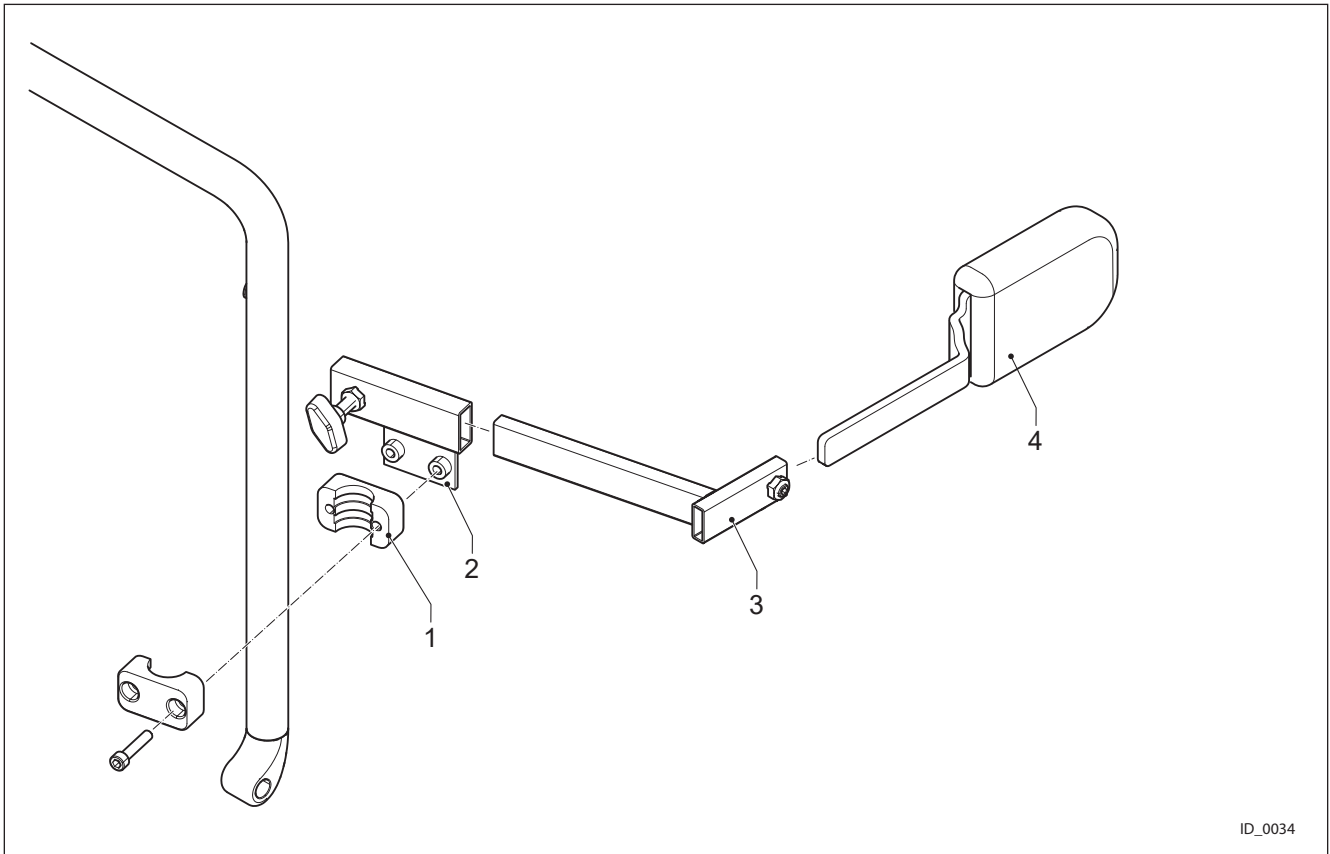


Pos.	Partno.	Description
1	4102095	Bag Hook



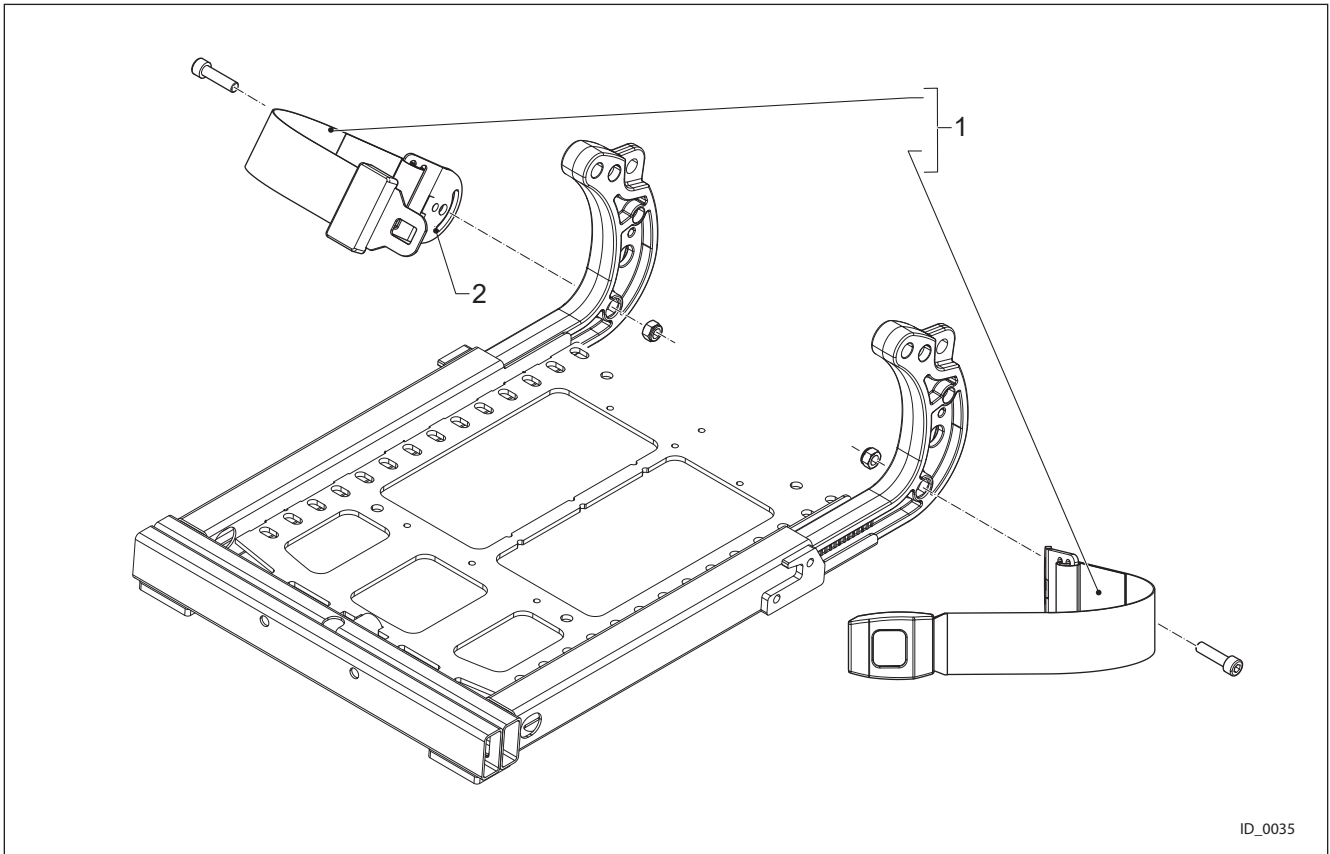
ID\_0033

Pos.	Partno.	Description
1	4101169	ACU Bracket 2
2	4101184	ACU Bracket 1



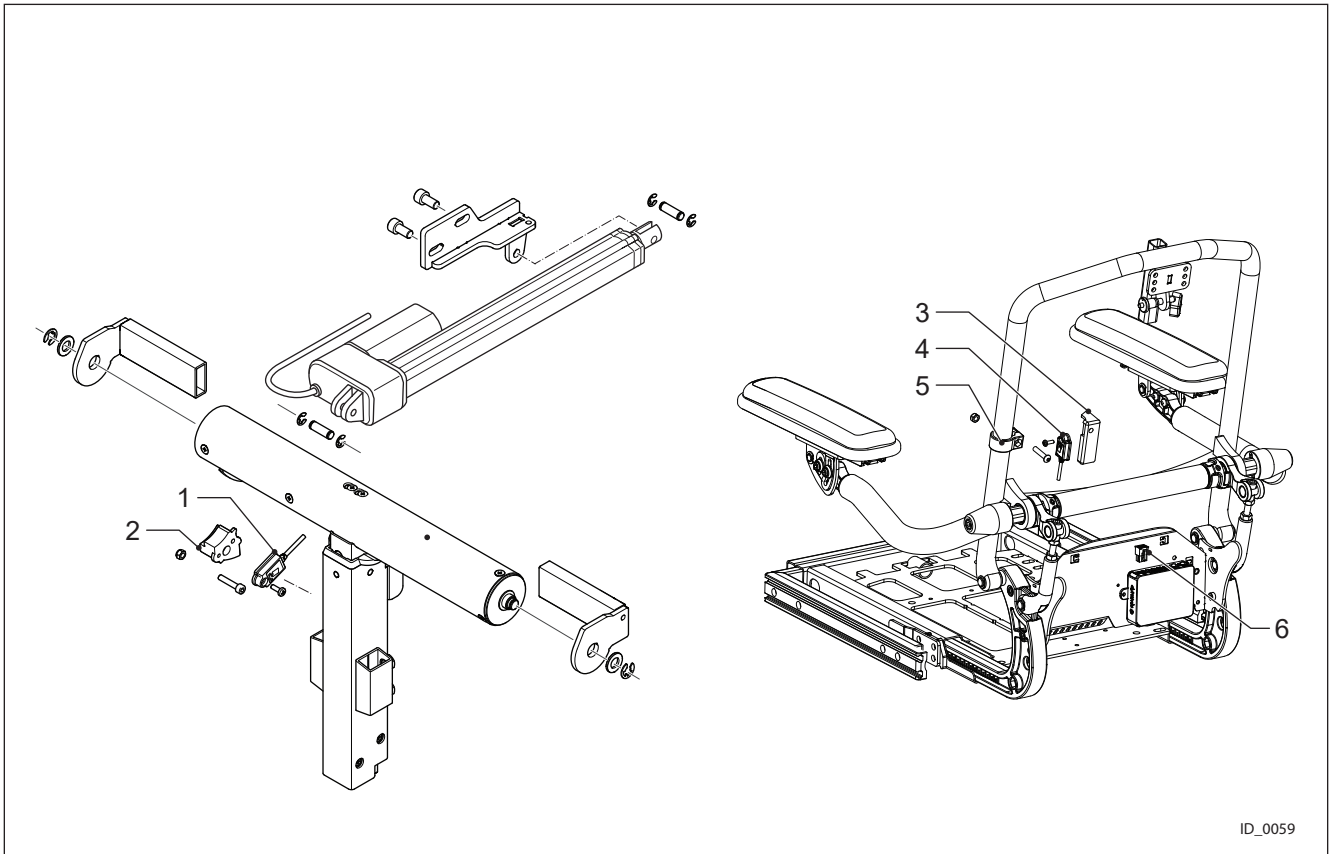
ID\_0034

Pos.	Partno.	Description
1	4101158	Flex Backrest Clamp 1
2	4101527	Socket Left Thoracic Support
2	4101528	Socket Right Thoracic Support
3	4101529	Adjuster Thoracic Support
4	4103278	Thoracic Support



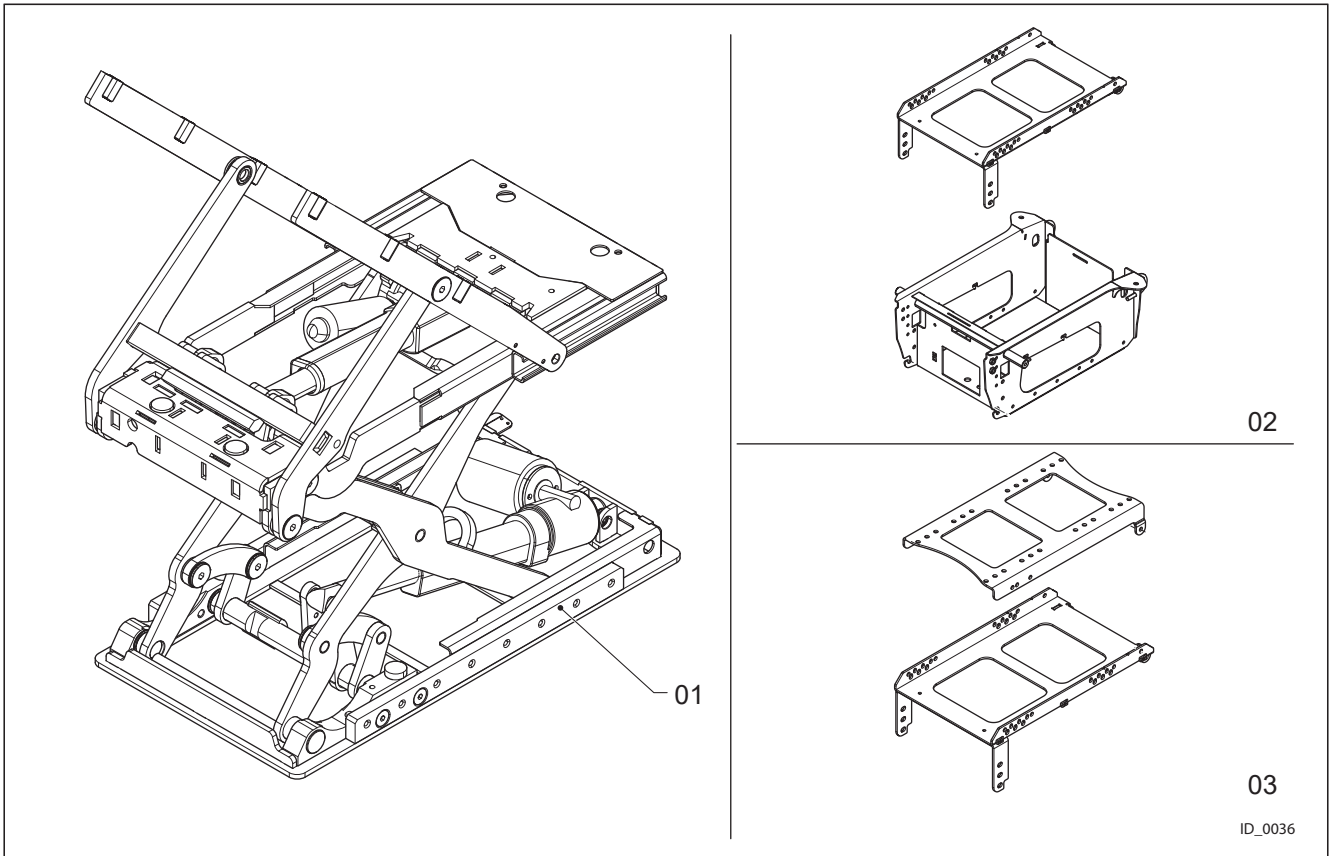
ID\_0035

Pos.	Partno.	Description
1	4101063	Lap Belt Bracket
2	4100884	Seat belt 1.90m (short, adjustable)
2	4100885	Seat belt 2.90m (long, adjustable)
3	4101187	Retractable Lap Belt

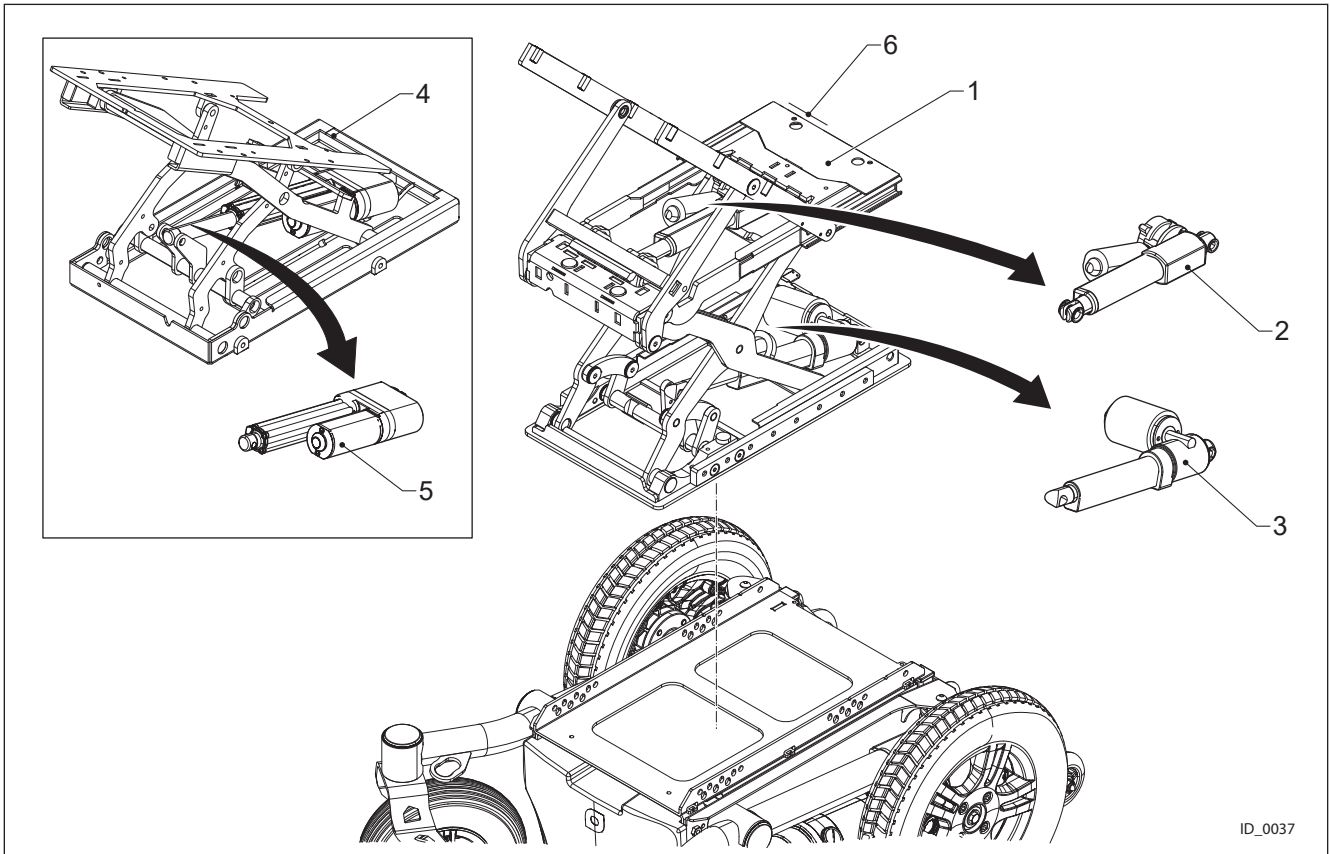


ID\_0059

Pos.	Partno.	Description
1	4102677	Tilt Sensor DLX-200A
2	4103200	Housing Legrest Sensor
3	4103199	Housing Backrest Sensor
4	4102677	Tilt Sensor DLX-200A
5	4101552	Height Adjuster
6	4103212	Control Input Harness Memory Seating

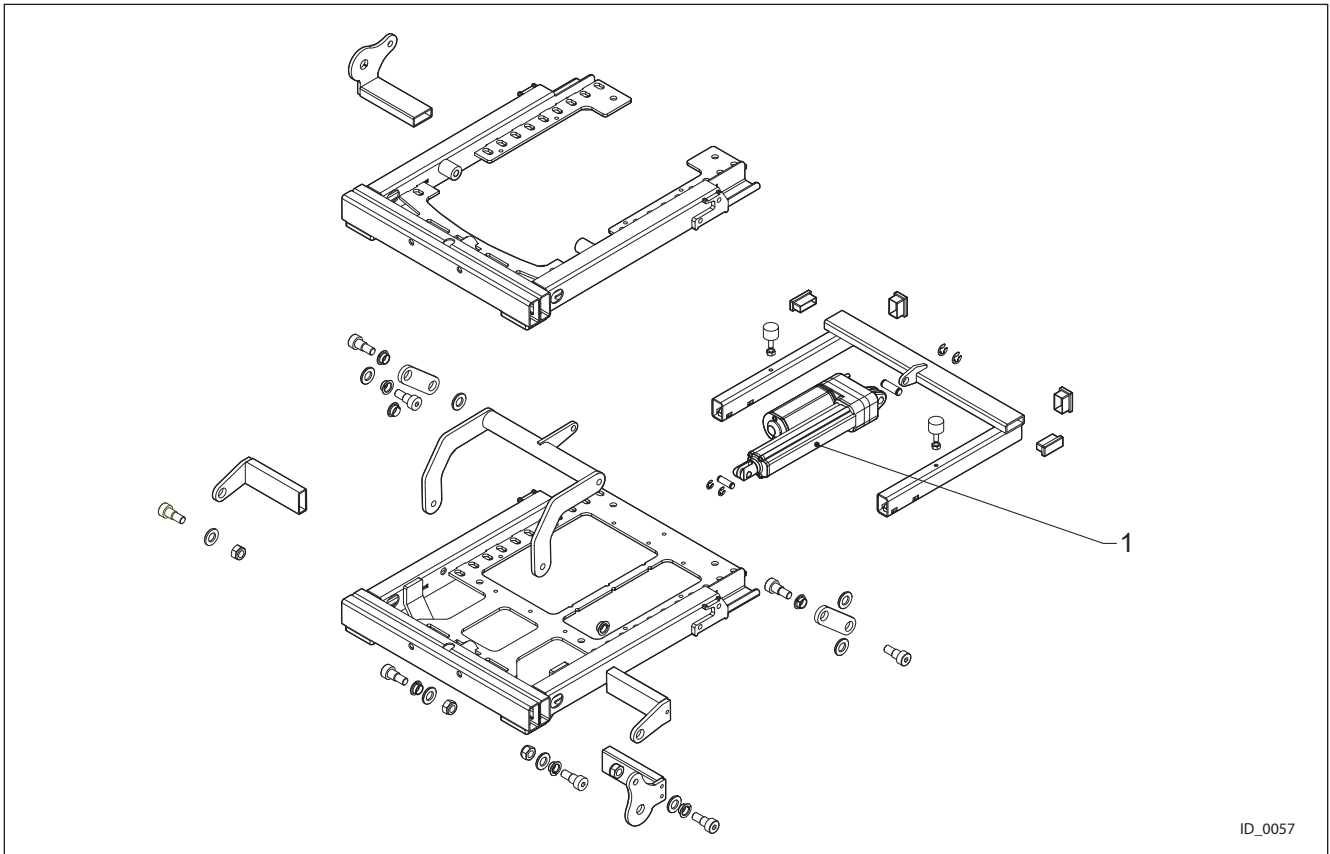


Drawing nr.	Description
003-01-X10	Lift-Tilt-Module
003-02-X10	Interfaces carriers
003-03-X10	Mechanical Tilt



ID\_0037

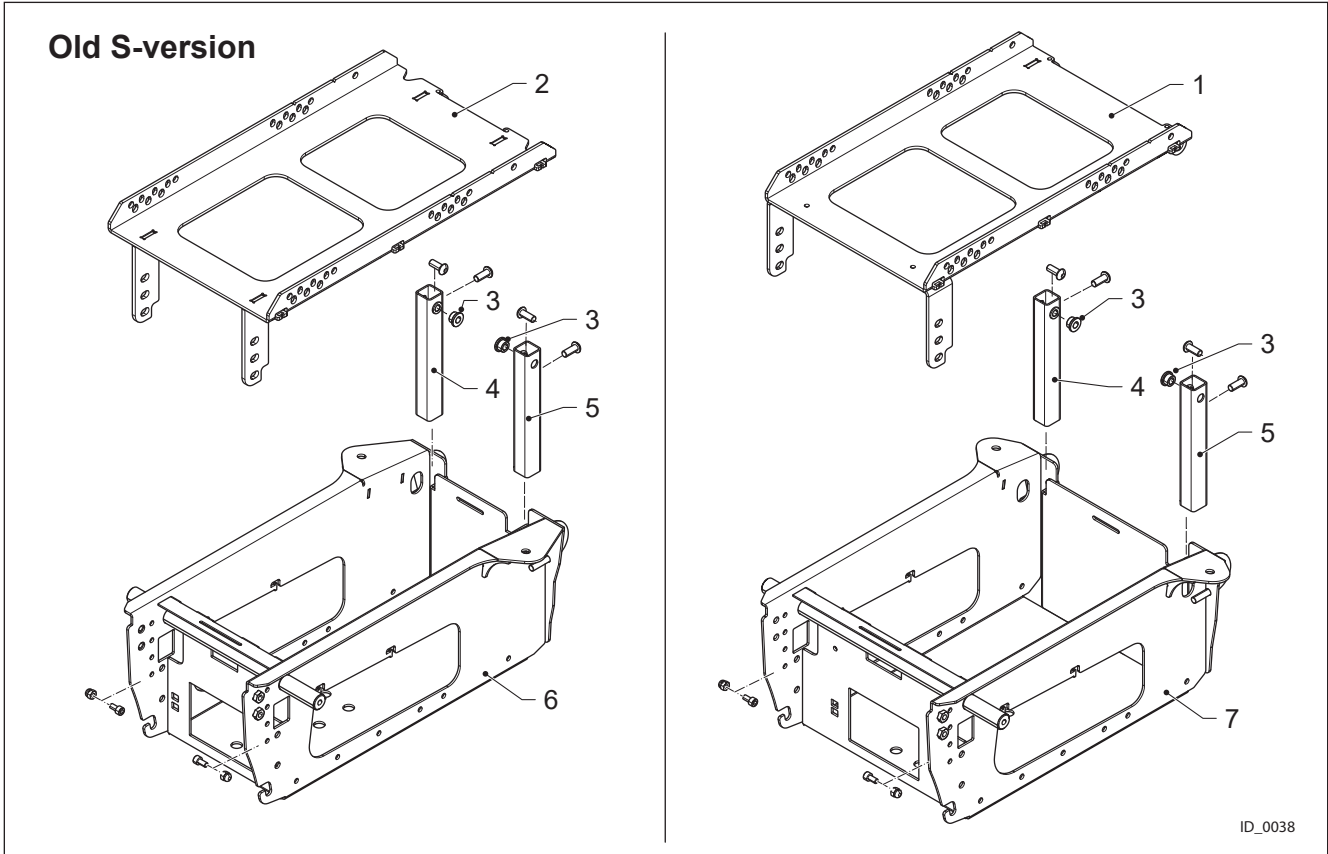
Pos.	Partno.	Description
1	4100367	Powered Seat Lift-Tilt Module
2	4101464	Tilt Actuator (Lift-Tilt Module)
3	4101565	Lift Actuator (Lift-Tilt Module)
4	4100366	Powered Seat Tilt Module
5	4101564	Tilt Actuator (Tilt Only Module)
6	4103155	Cable guide Powered Seat Lift Module



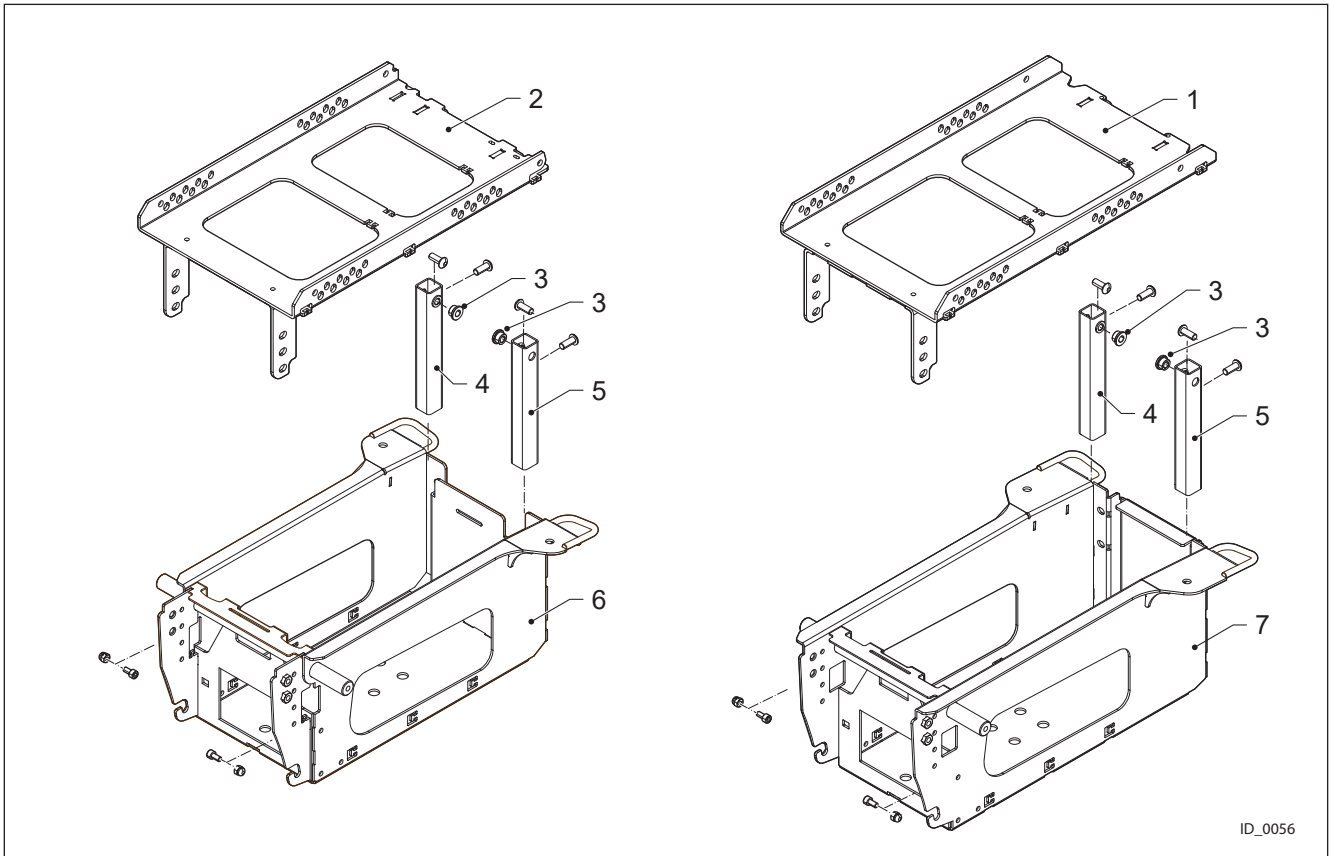
ID\_0057

Pos.	Partno.	Description
1	4102792	Recline Actuator Mk2



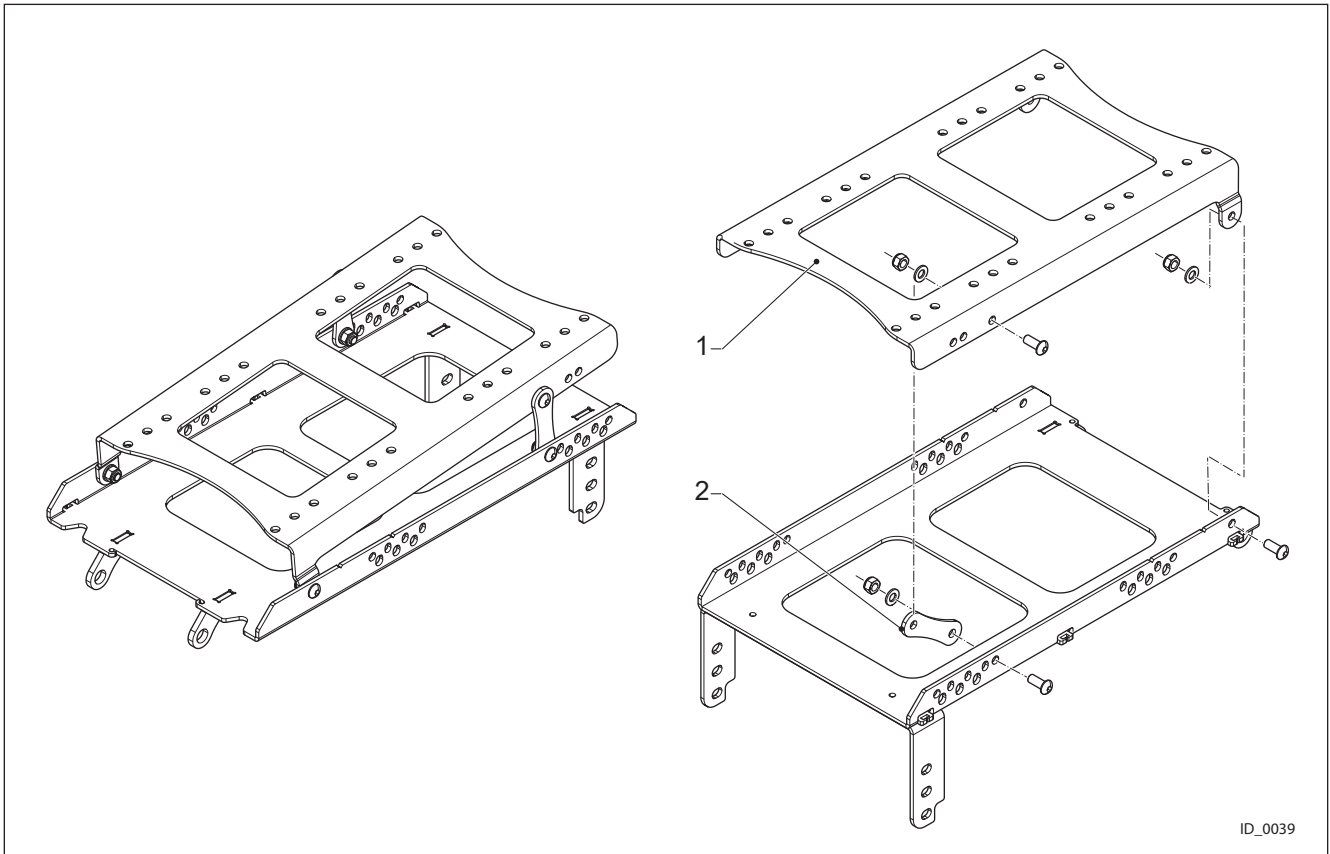


Pos.	Partno.	Description
1	4100471	Mounting Plate Standard Weld Assy
2	4100470	Mounting Plate Small Weld Assy
3	4100536	Spacer Mounting Plate Hinge
4	4100472	Height Adjuster Weld Assy Right
5	4100481	Height Adjuster Weld Assy Left
6	4100448	Battery Box Small
7	4100457	Battery Box Standard



ID\_0056

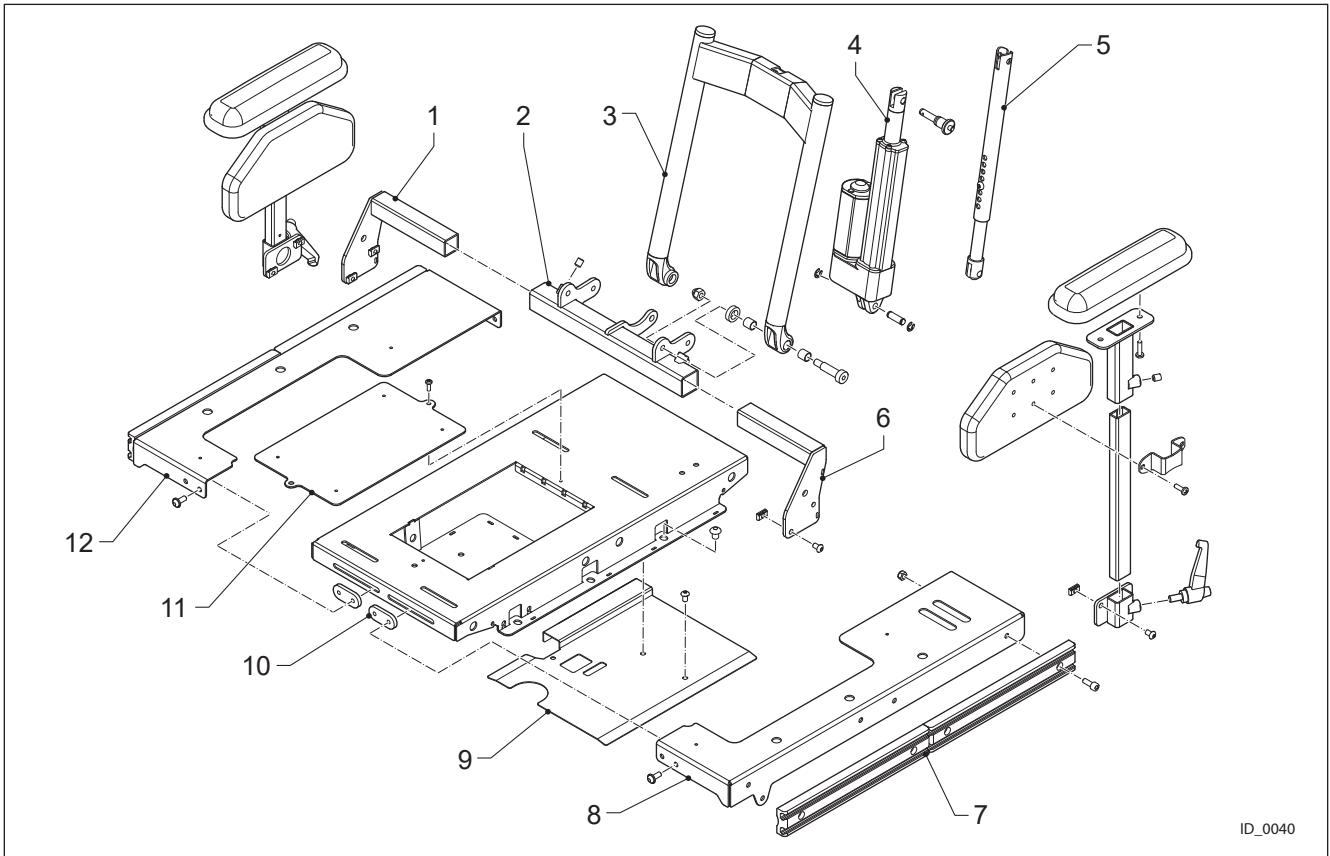
Pos.	Partno.	Description
1	4100471	Mounting Plate Standard Weld Assy
2	4102955	Mounting Plate Small Weld Assy
3	4100536	Spacer Mounting Plate Hinge
4	4100472	Height Adjuster Weld Assy Right
5	4100481	Height Adjuster Weld Assy Left
6	4102945	Weld Assy Battery Box Small Mk2
7	4102764	Battery Box Small 60 Ah



ID\_0039

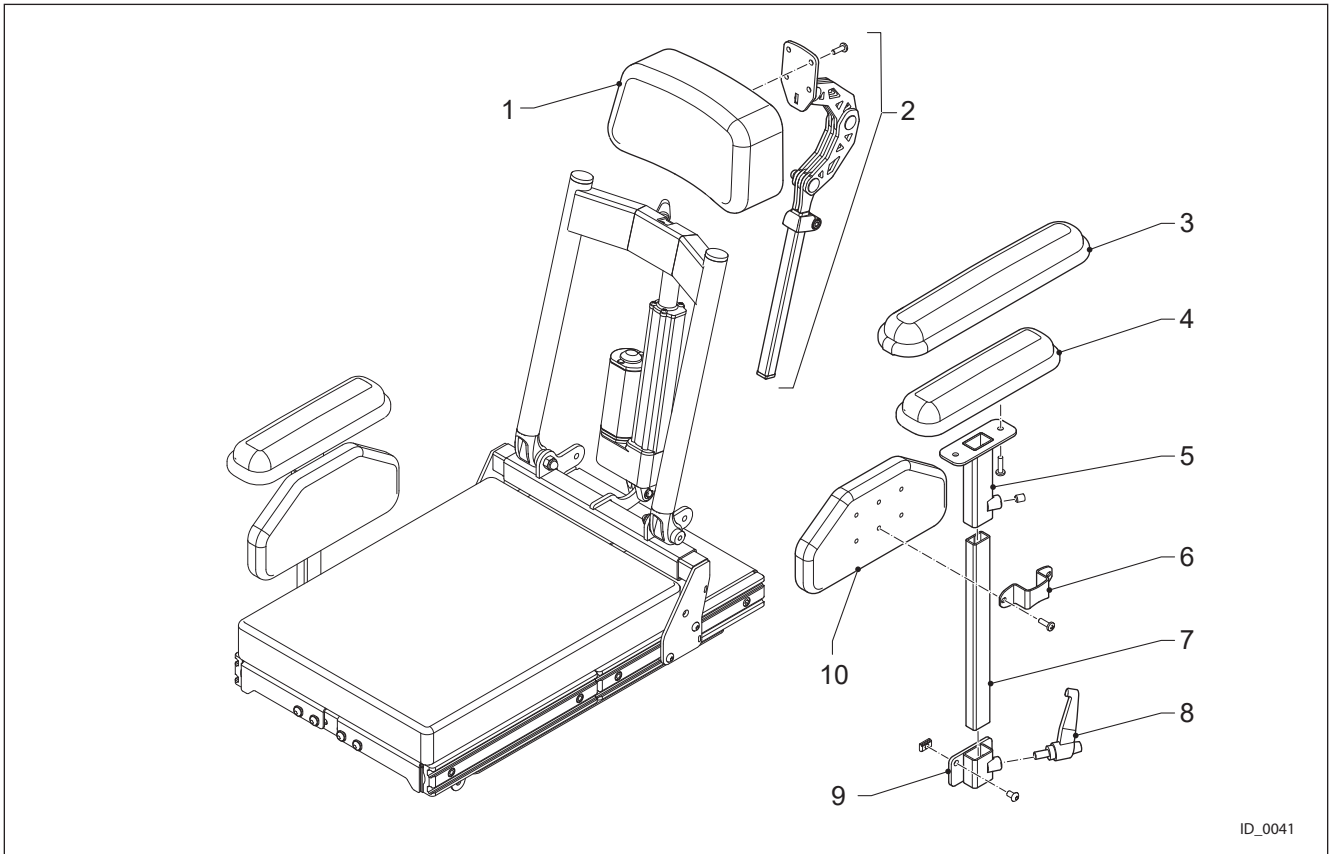
Pos.	Partno.	Description
1	4100573	Top Plate Mechanical Tilt
2	4100574	Angle Adjuster

# **Junior Seating system**



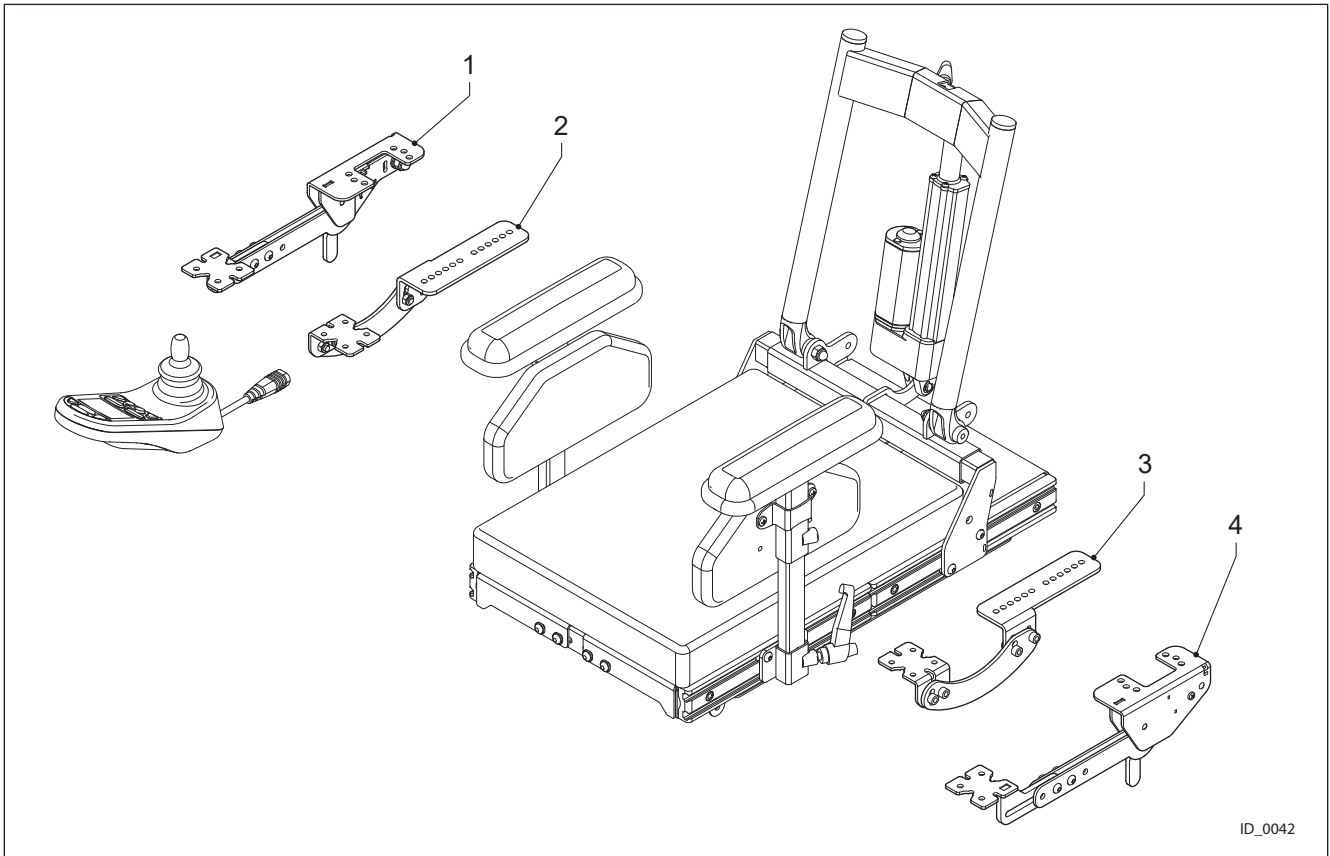
ID\_0040

Pos.	Partno.	Description
1	4102471	Backrest Width Adj Right Junior
2	4102472	Backrest base Junior
3	4102473	Backrest Frame Junior
4	4100428	Actuator Back Rest Recline
5	4100545	Mechanical Recline Set
6	4102470	Backrest Width Adj Left Junior
7	4100403	Arm Rest Extrusion Profile
8	4102482	Seat Width Adjuster Left Junior
9	4102494	Wiring Cover Plate
10	4102495	Clamp Plate M6
11	4102484	Cover Plate
12	4102483	Seat Width Adjuster Right Junior



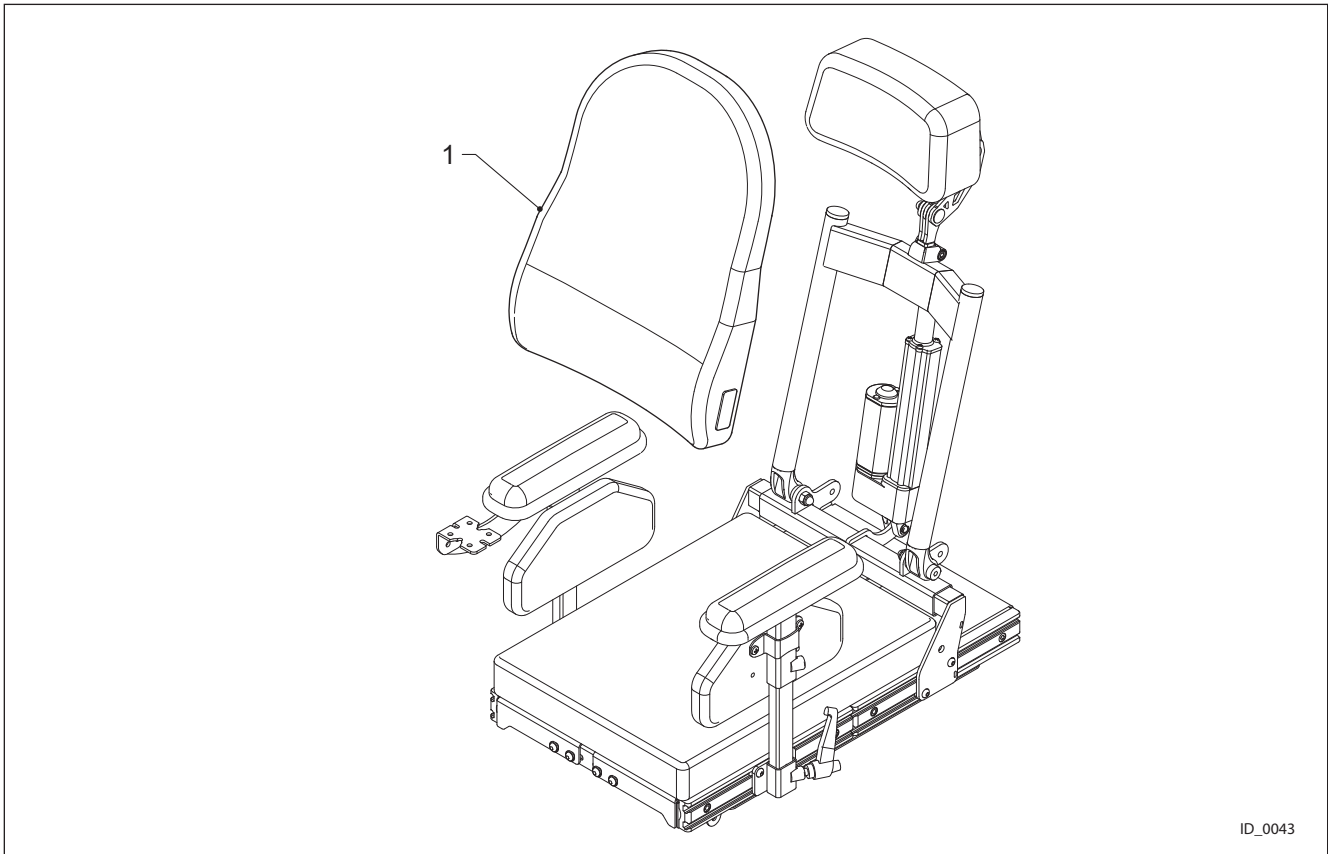
ID\_0041

Pos.	Partno.	Description
1	4102466	Junior Headrest Upholstered 22x11
2	4100630	Headrest Support Assembly
3	4102452	Arm Pad 30 cm Upholstered Small
4	4102451	Arm Pad 22 cm Upholstered
5	4102477	Armrest Upper Left Junior
5	4102478	Armrest Upper Right Junior
6	4103155	Side Cushion Bracket Junior
6	4102511	Side Cushion Bracket Junior
7	4102510	Armrest Mid Tube Junior
8	4101294	Clamp Lever Lifiable M8 Basic Arm Rest
9	4102476	Armrest Socket Junior
10	4101782	Side Cushion Small Pro Skin (Set)



ID\_0042

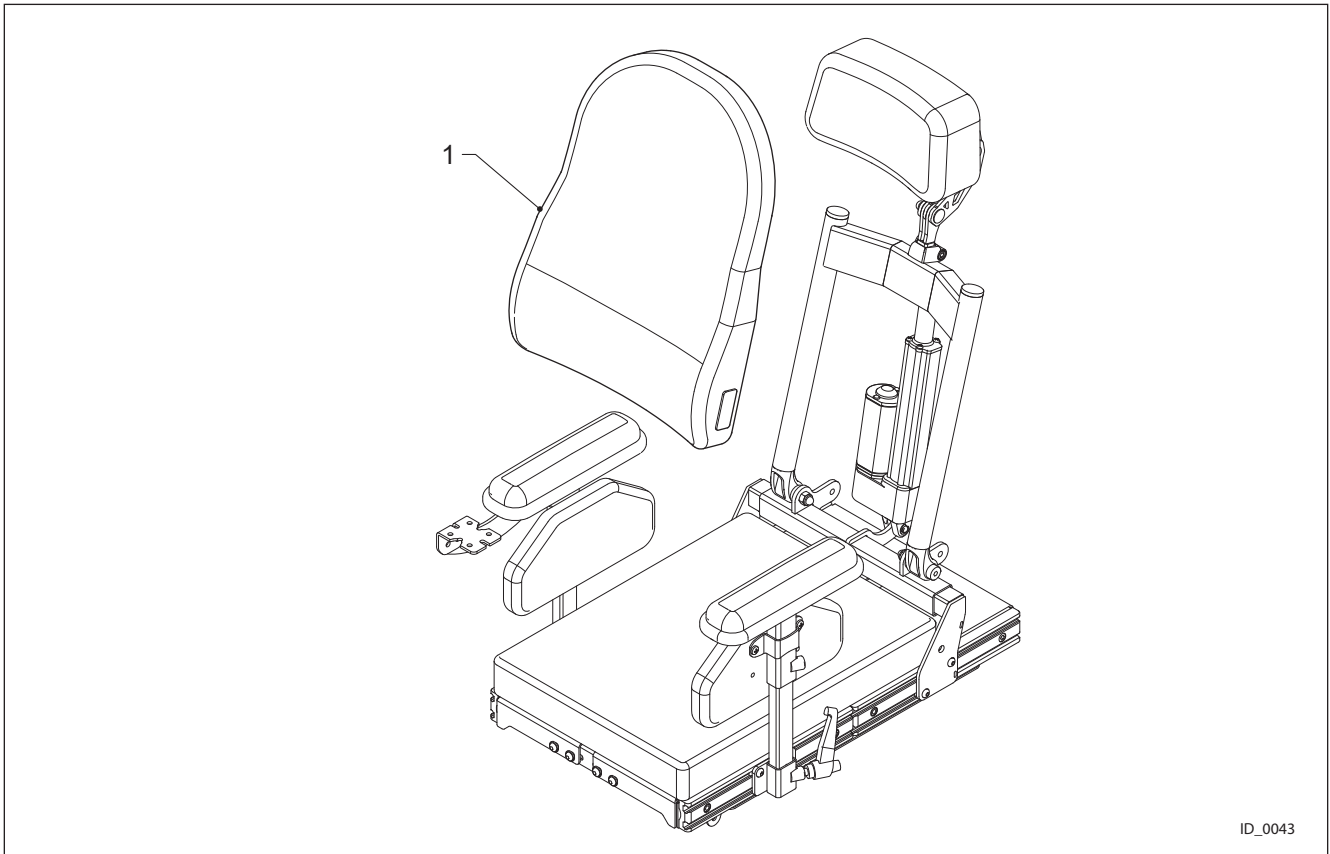
Pos.	Partno.	Description
1	4102574	Flip Down JSM Bracket Right
2	4102781	Fixed Joystick Bracket Right
3	4102782	Fixed Joystick Bracket Left
4	4102573	Flip Down JSM Bracket Left



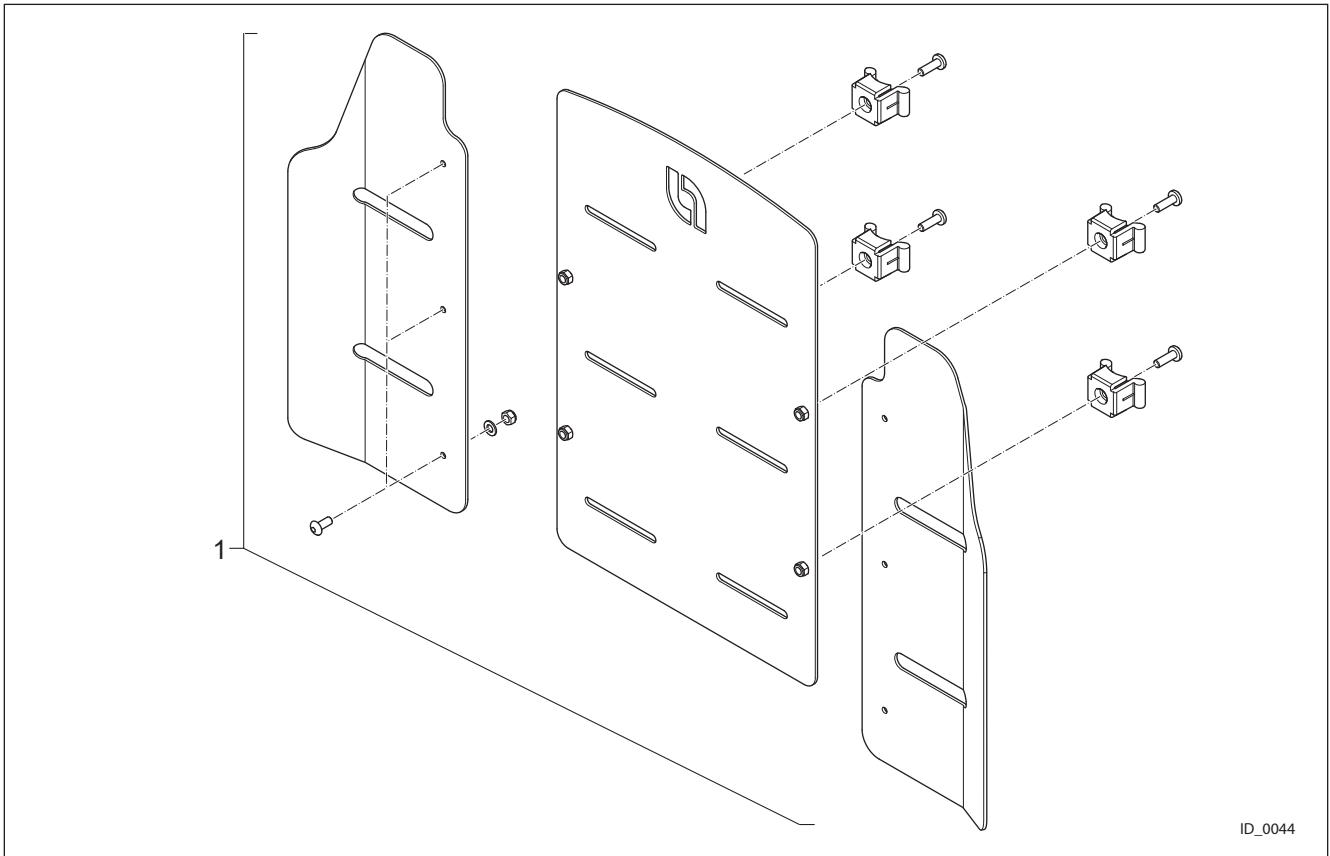
ID\_0043

Pos.	Partno.	Description
1	4102526	Std Backrest Junior 30x35 Agilo Skin
1	4102527	Std Backrest Junior 30x40 Agilo Skin
1	4102528	Std Backrest Junior 35x35 Agilo Skin
1	4102529	Std Backrest Junior 35x40 Agilo Skin
1	4102530	Std Backrest Junior 35x45 Agilo Skin
1	4102531	Std Backrest Junior 40x40 Agilo Skin
1	4102532	Std Backrest Junior 30x35 Agilo Skin
1	4102533	Std Backrest Junior 30x35 Agilo Skin
1	4102534	Support Backrest Junior 30x35 Agilo Skin
1	4102535	Support Backrest Junior 30x40 Agilo Skin
1	4102536	Support Backrest Junior 35x35 Agilo Skin
1	4102537	Support Backrest Junior 35x40 Agilo Skin
1	4102538	Support Backrest Junior 35x45 Agilo Skin
1	4102539	Support Backrest Junior 40x40 Agilo Skin
1	4102540	Support Backrest Junior 40x45 Agilo Skin
1	4102541	Support Backrest Junior 40x50 Agilo Skin
1	4102542	Std Backrest Junior 30x35 Agilo Air
1	4102543	Std Backrest Junior 30x40 Agilo Air
1	4102544	Std Backrest Junior 35x35 Agilo Air

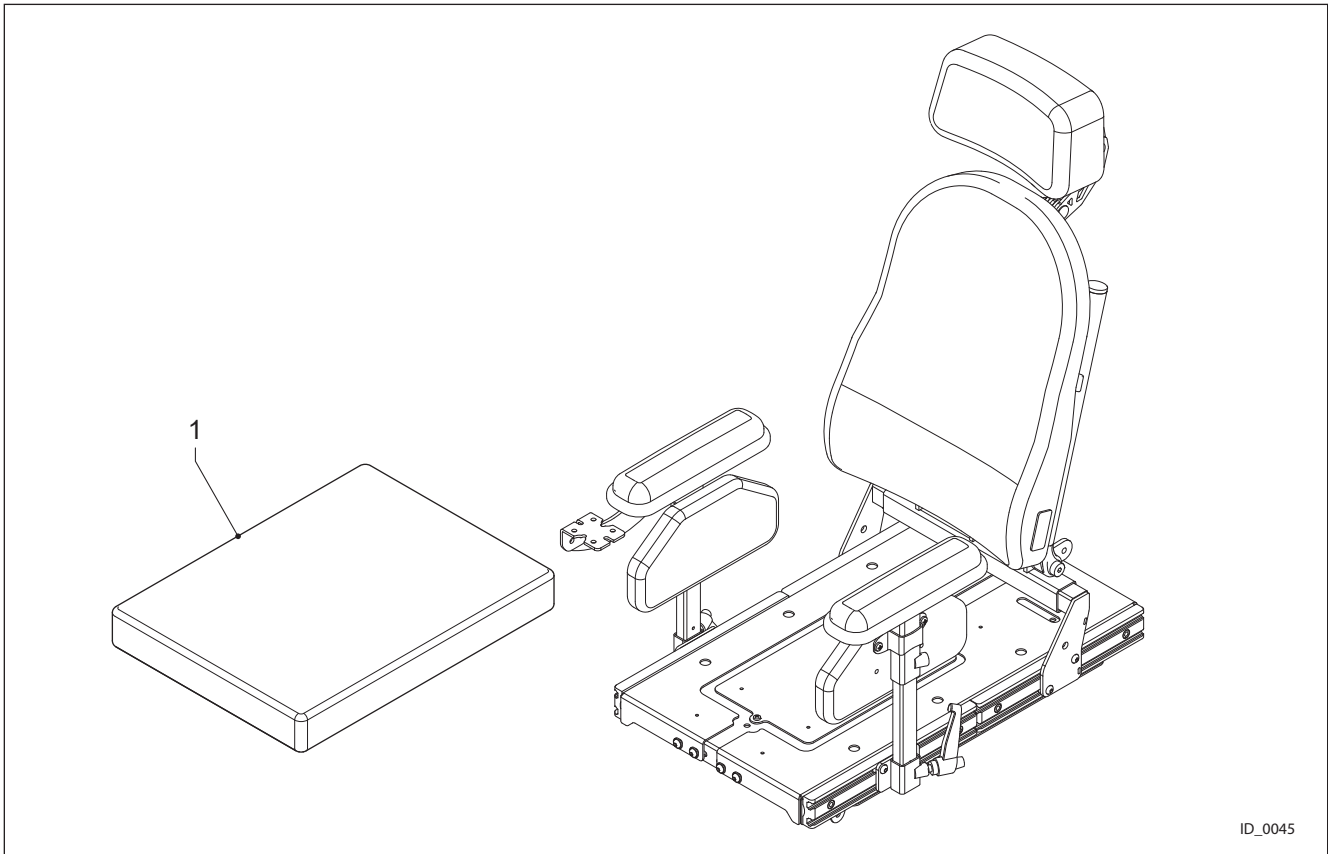




Pos.	Partno.	Description
1	4102545	Std Backrest Junior 35x40 Agilo Air
1	4102546	Std Backrest Junior 35x45 Agilo Air
1	4102547	Std Backrest Junior 40x40 Agilo Air
1	4102548	Std Backrest Junior 40x45 Agilo Air
1	4102549	Std Backrest Junior 40x50 Agilo Air
1	4102550	Support Backrest Junior 30x35 Agilo Air
1	4102551	Support Backrest Junior 30x40 Agilo Air
1	4102552	Support Backrest Junior 35x35 Agilo Air
1	4102553	Support Backrest Junior 35x40 Agilo Air
1	4102554	Support Backrest Junior 35x45 Agilo Air
1	4102555	Support Backrest Junior 40x40 Agilo Air
1	4102556	Support Backrest Junior 40x45 Agilo Air
1	4102557	Support Backrest Junior 40x50 Agilo Air

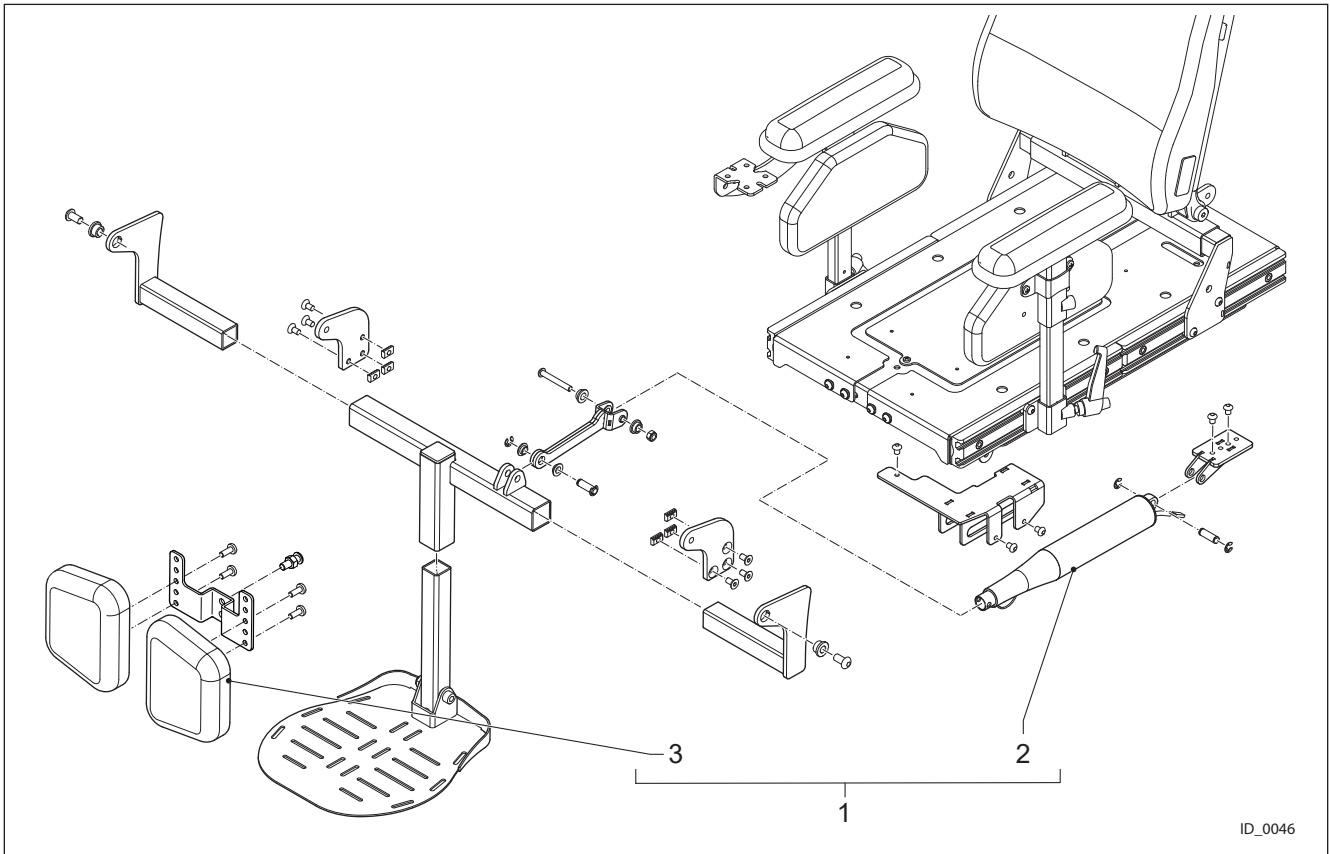


Pos.	Partno.	Description
1	4102453	Backrest Plate Set Junior

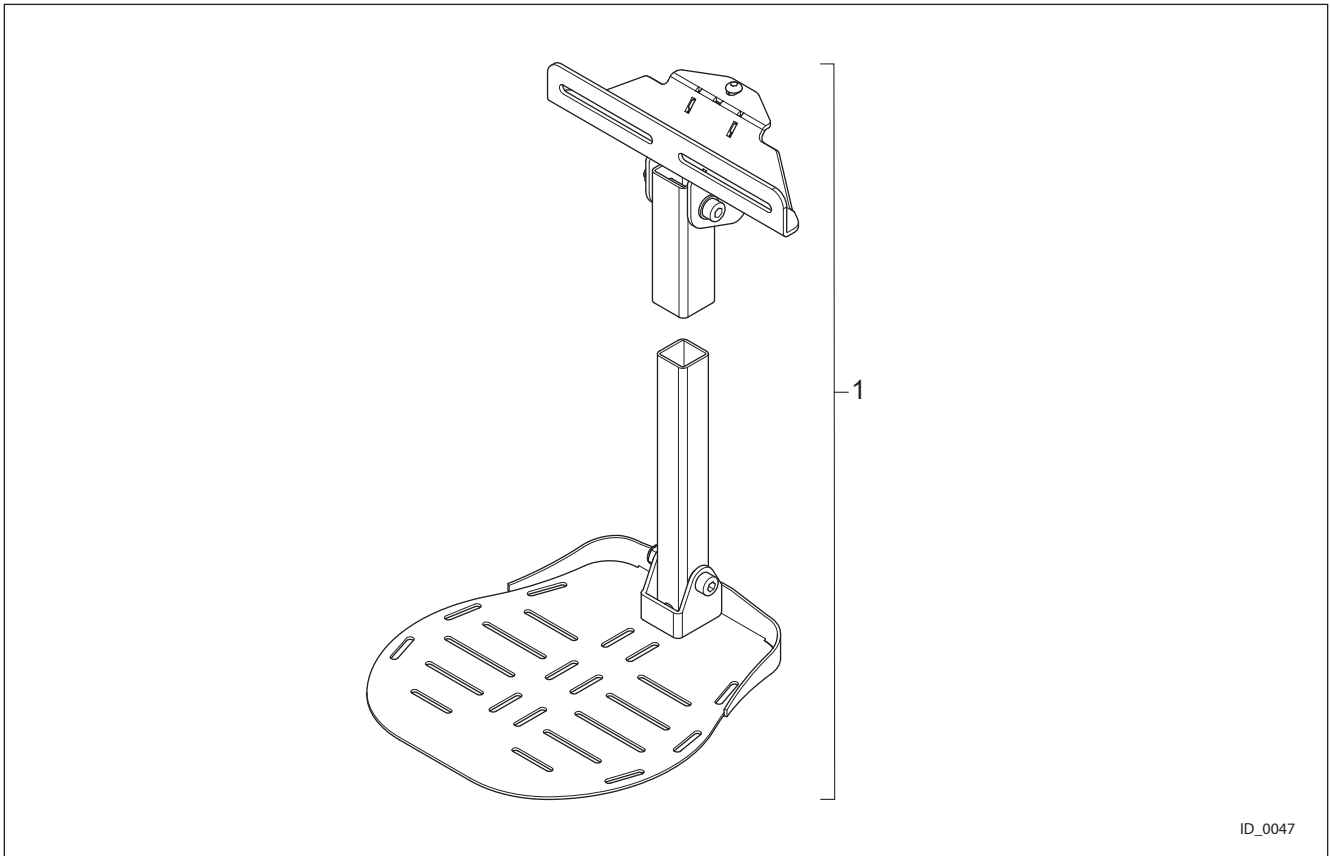


ID\_0045

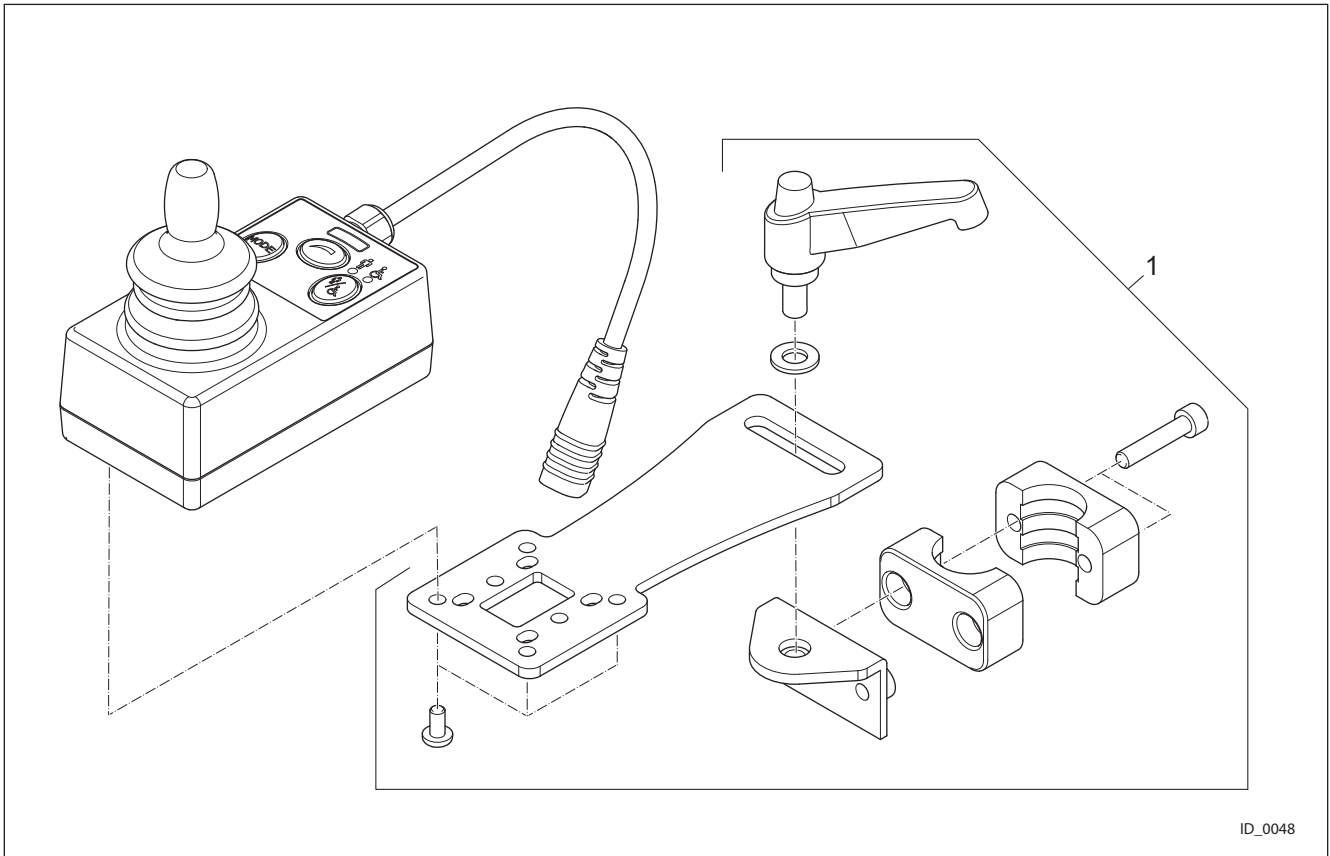
Pos.	Partno.	Description
1	4102456	Std Seat Cushion Junior 30x30 Agilo Skin
1	4102457	Std Seat Cushion Junior 30x35 Agilo Skin
1	4102458	Std Seat Cushion Junior 30x40 Agilo Skin
1	4102459	Std Seat Cushion Junior 30x45 Agilo Skin
1	4102460	Std Seat Cushion Junior 35x35 Agilo Skin
1	4102461	Std Seat Cushion Junior 35x40 Agilo Skin
1	4102465	Std Seat Cushion Junior 40x50 Agilo Skin
1	4102516	Std Seat Cushion Junior 30x30 Agilo Air
1	4102517	Std Seat Cushion Junior 30x35 Agilo Air
1	4102518	Std Seat Cushion Junior 30x40 Agilo Air
1	4102519	Std Seat Cushion Junior 30x45 Agilo Air
1	4102520	Std Seat Cushion Junior 35x35 Agilo Air
1	4102521	Std Seat Cushion Junior 35x40 Agilo Air
1	4102522	Std Seat Cushion Junior 35x45 Agilo Air
1	4102523	Std Seat Cushion Junior 40x40 Agilo Air
1	4102524	Std Seat Cushion Junior 40x45 Agilo Air
1	4102525	Std Seat Cushion Junior 40x50 Agilo Air



Pos.	Partno.	Description
1	4102455	Powered Central Legrest Junior
2	4100058	Actuator Powered Leg Rest
3	4101345	Calf Plate Central Leg Rest (set)



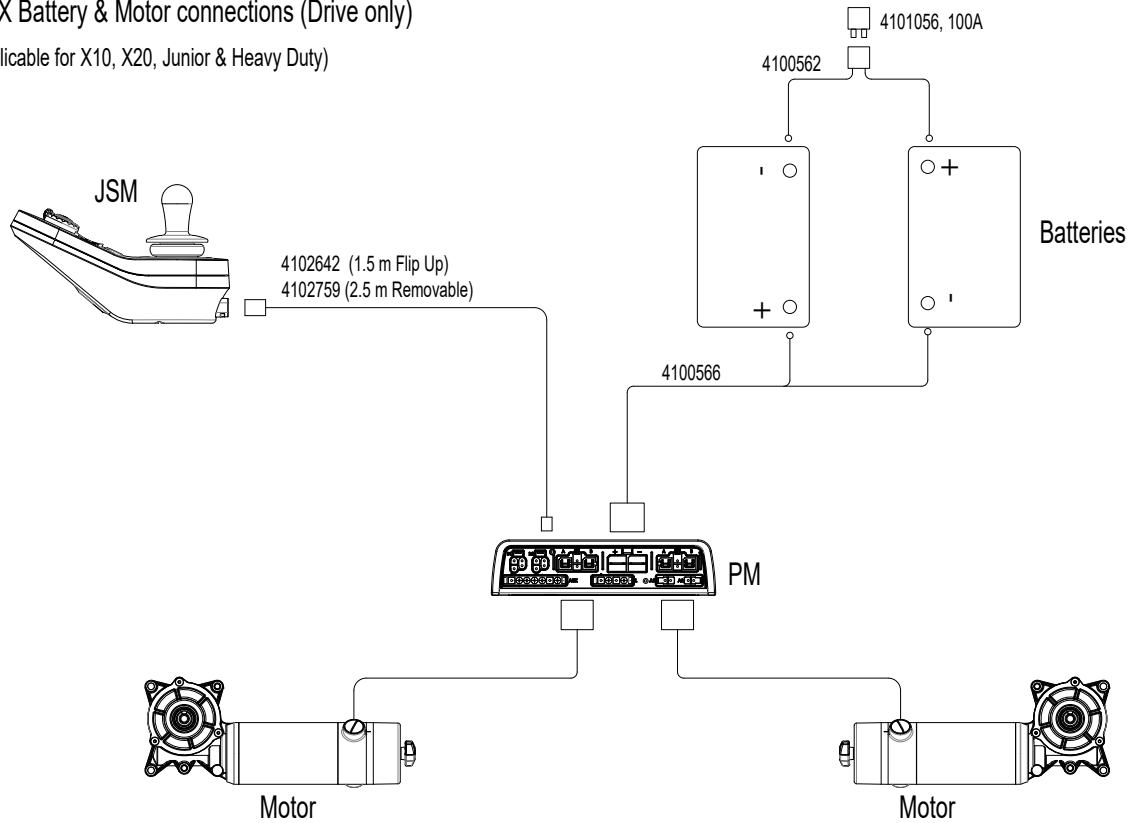
Pos.	Partno.	Description
1	4102454	Fixed Central legrest Junior



Pos.	Partno.	Description
1	4102726	Attendant Control Mounting Junior

**LiNX Battery & Motor connections (Drive only)**

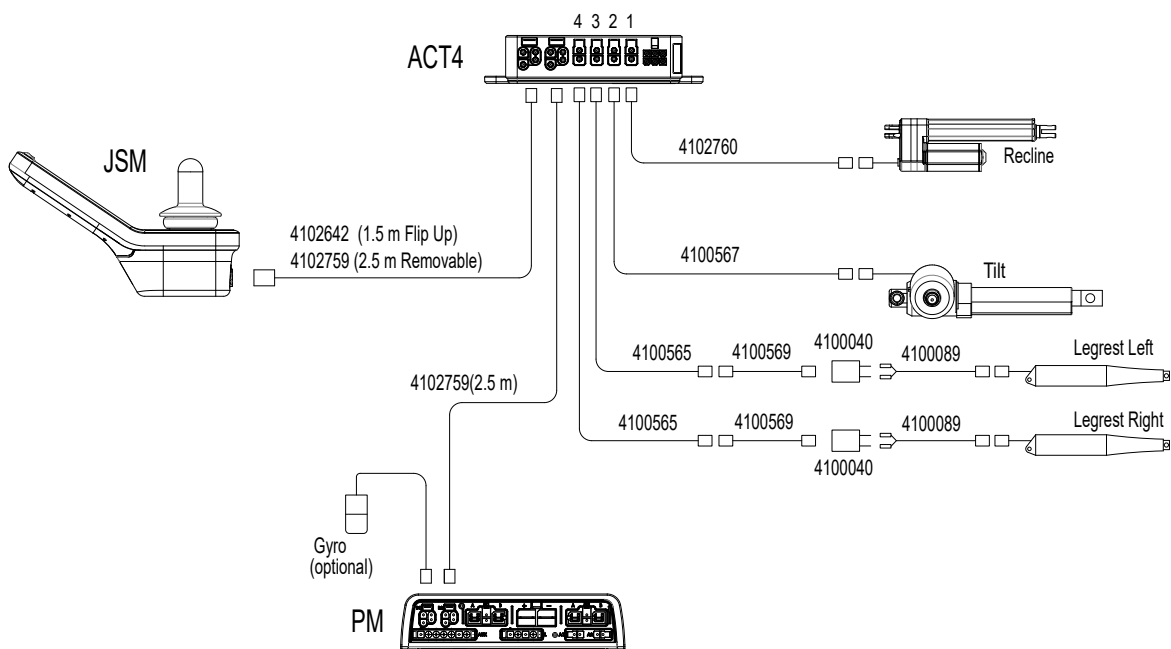
(applicable for X10, X20, Junior & Heavy Duty)



Cable lengths are not drawn to scale!

S000-LiNX 1

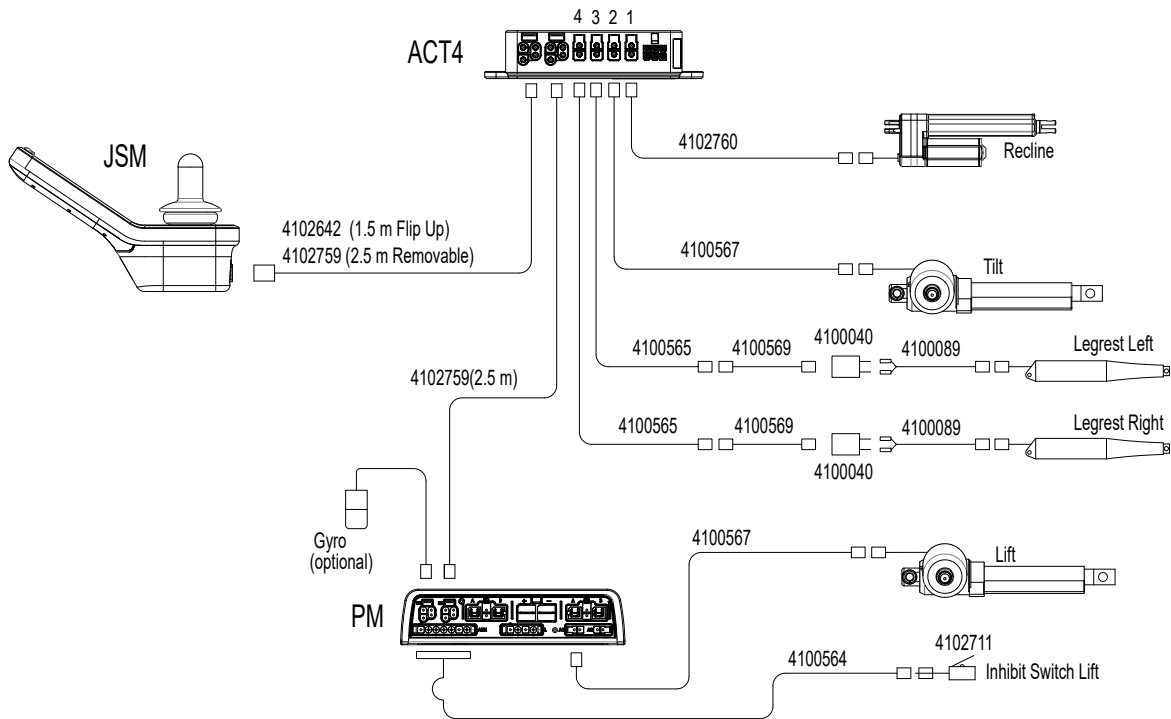
**LiNX Recline, Tilt & Legrests (Lighting & Gyro optional)**



Cable lengths are not drawn to scale!

S000-LiNX 2

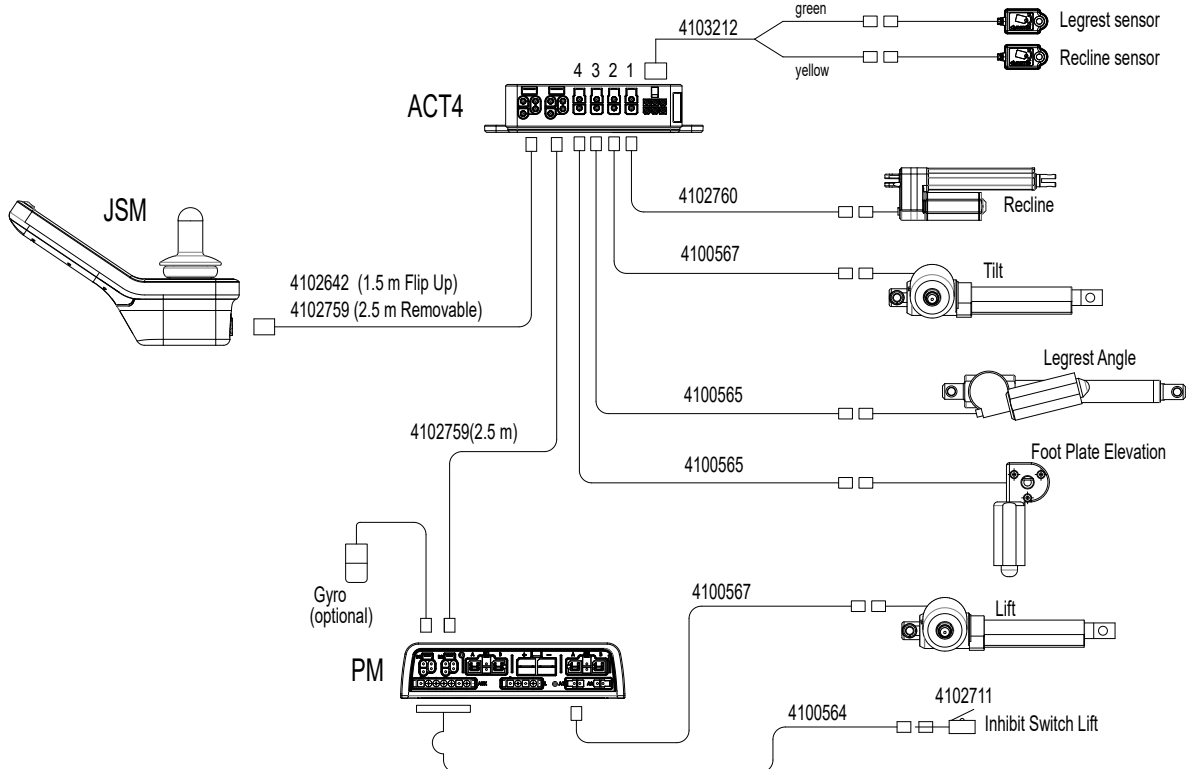
LiNX Recline, Tilt, Lift & Legrests (Gyro optional)



Cable lengths are not drawn to scale!

S000-LiNX 3

LiNX Tilt, Lift, Recline & Powered Central Legrests (Gyro & Memory Seating optional)

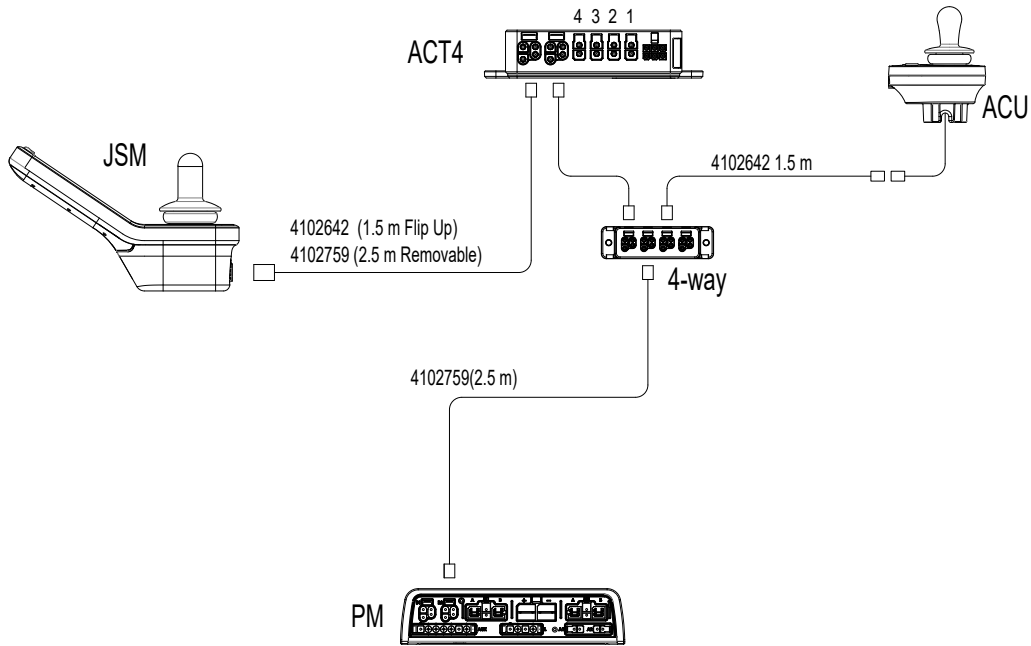


Cable lengths are not drawn to scale!

S000-LiNX 4



LiNX Attendant Control

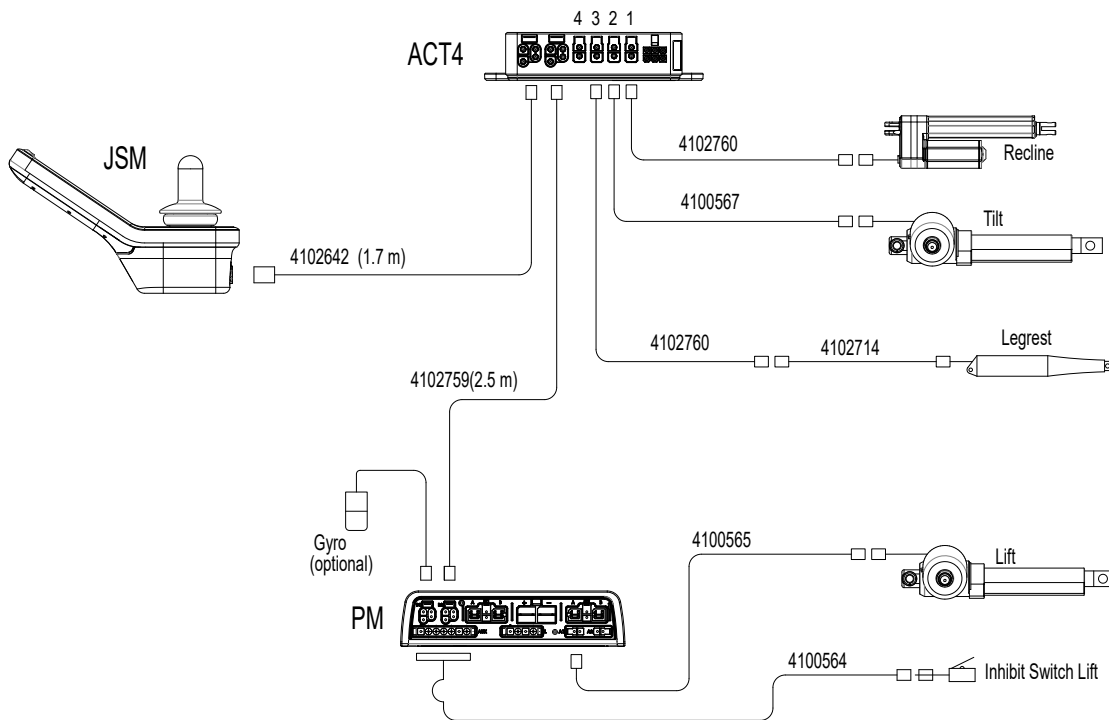


Cable lengths are not drawn to scale!

S000-LiNX 5

LiNX Tilt, Lift, Recline & Powered Central Legrests (Gyro optional)

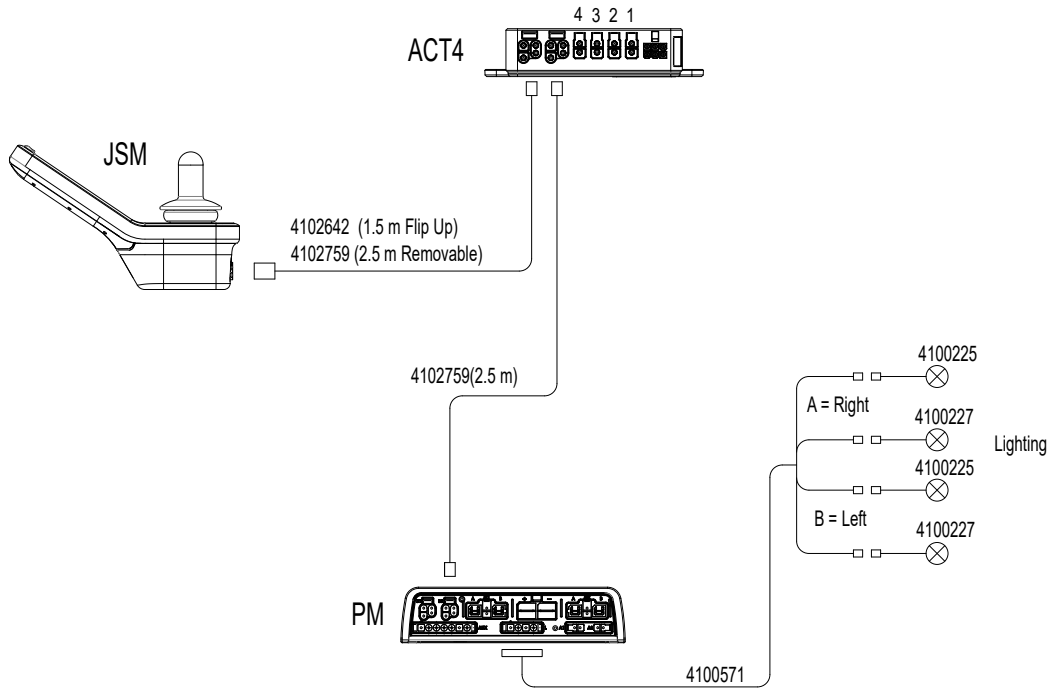
applicable for X10 & X20 Junior Only !



Cable lengths are not drawn to scale!

S000-LiNX 6

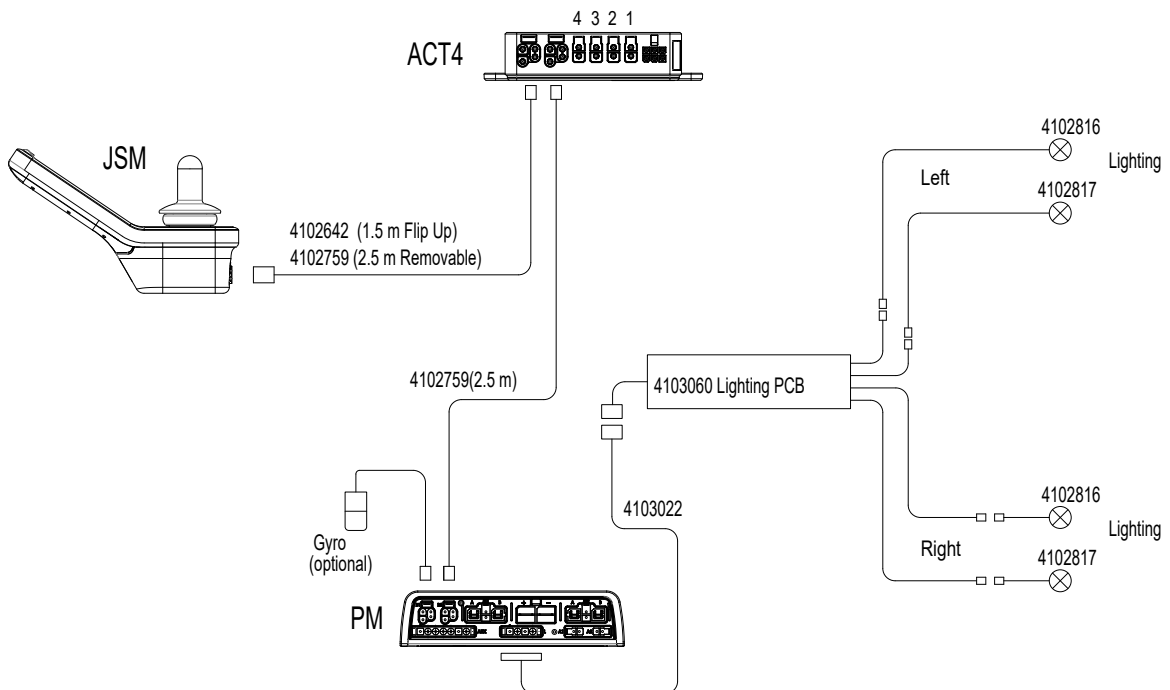
LiNX Lighting Mk1



Cable lengths are not drawn to scale!

S000-LiNX 7

LiNX Lighting Mk2

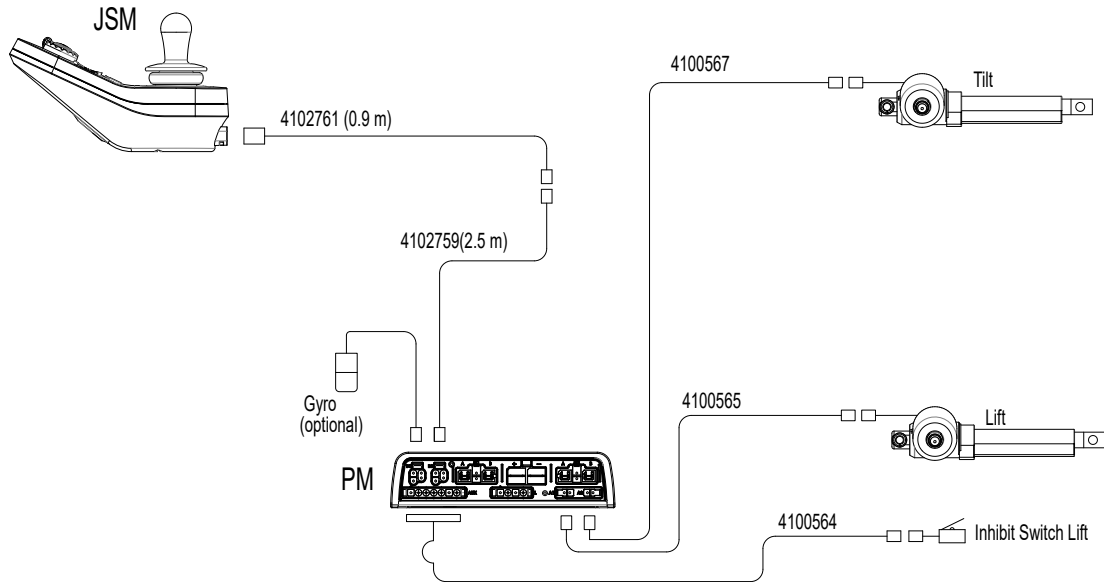


Cable lengths are not drawn to scale!

S000-LiNX 8

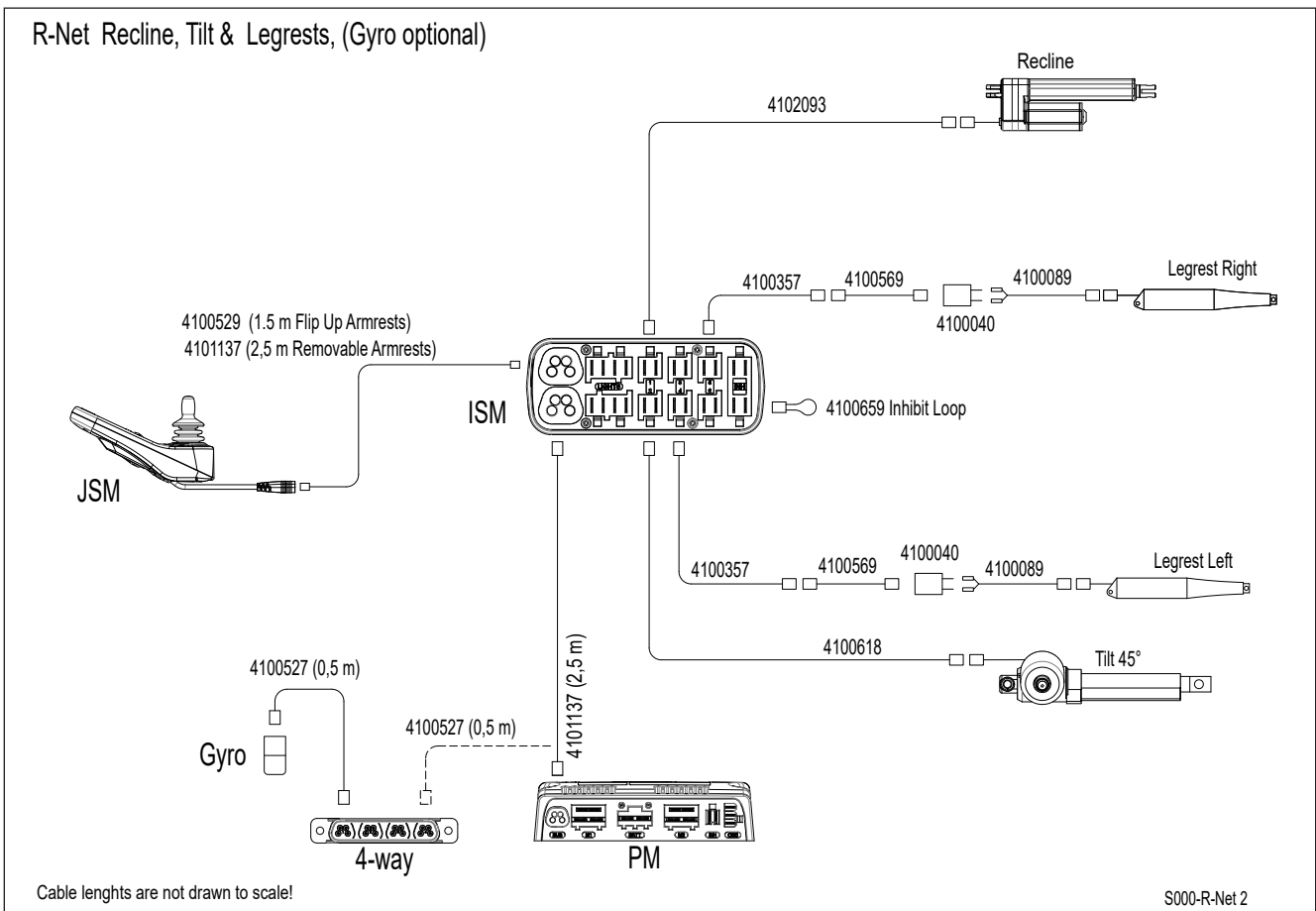
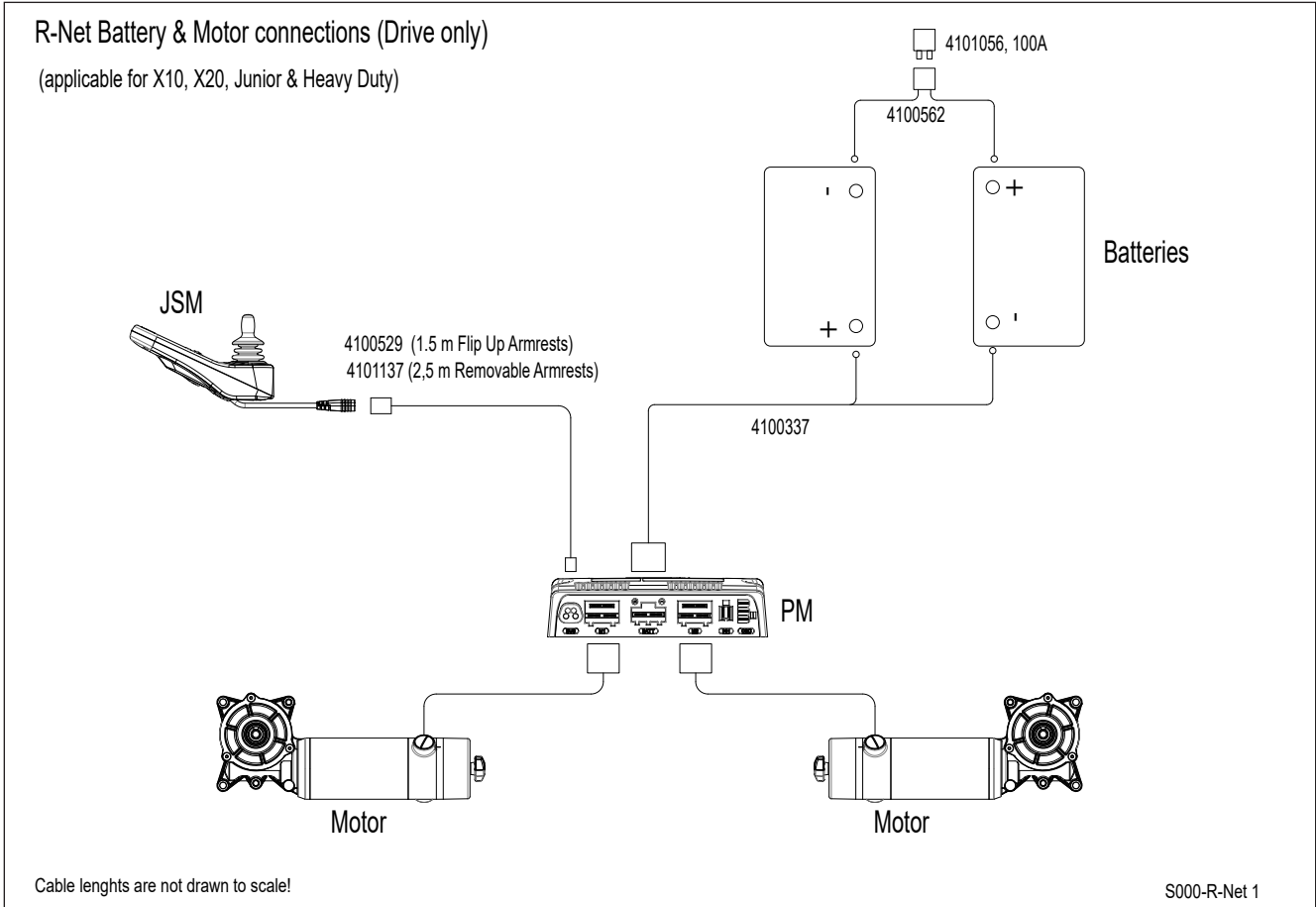
### LiNX Tilt & Lift REM215 (Gyro optional)

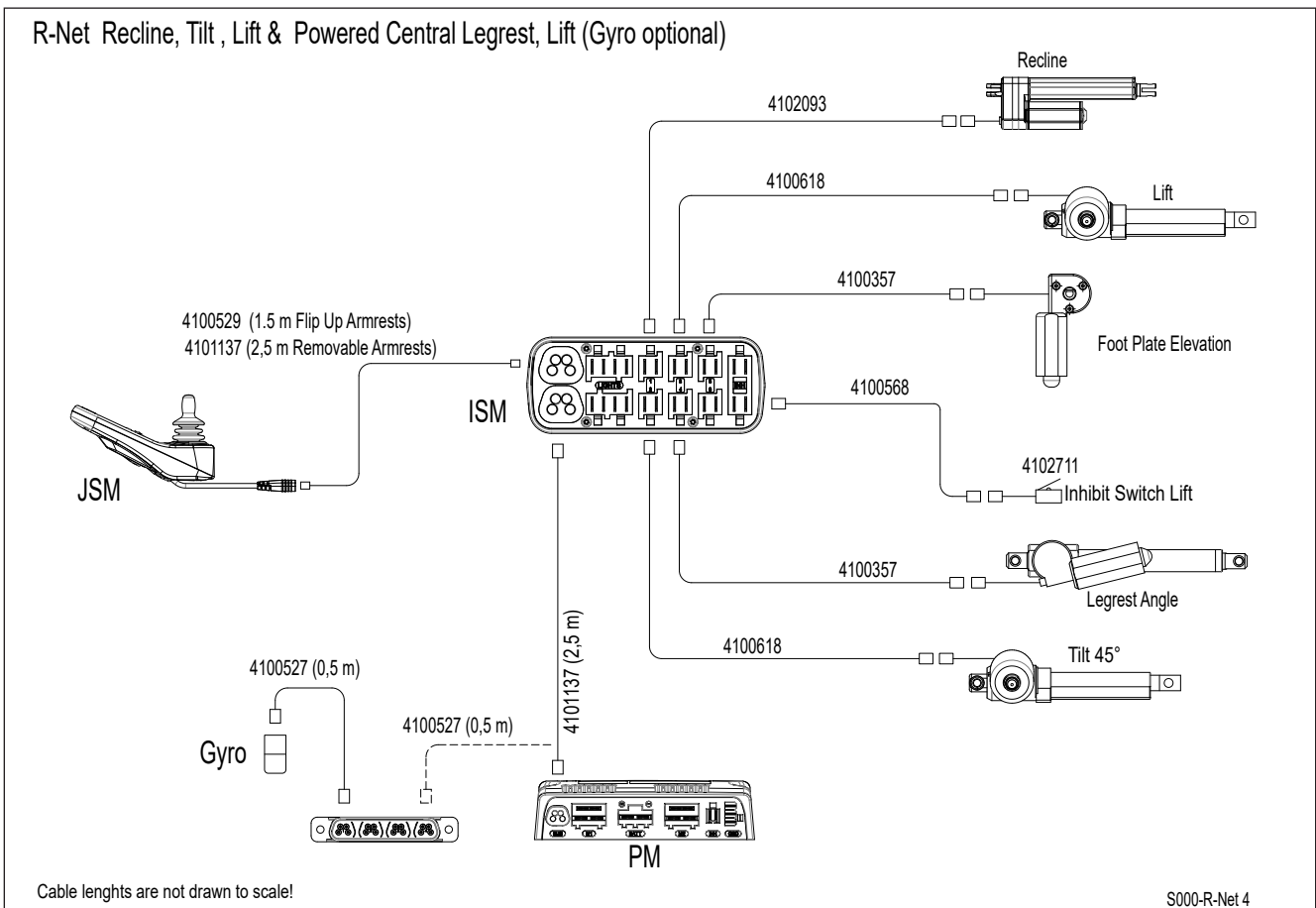
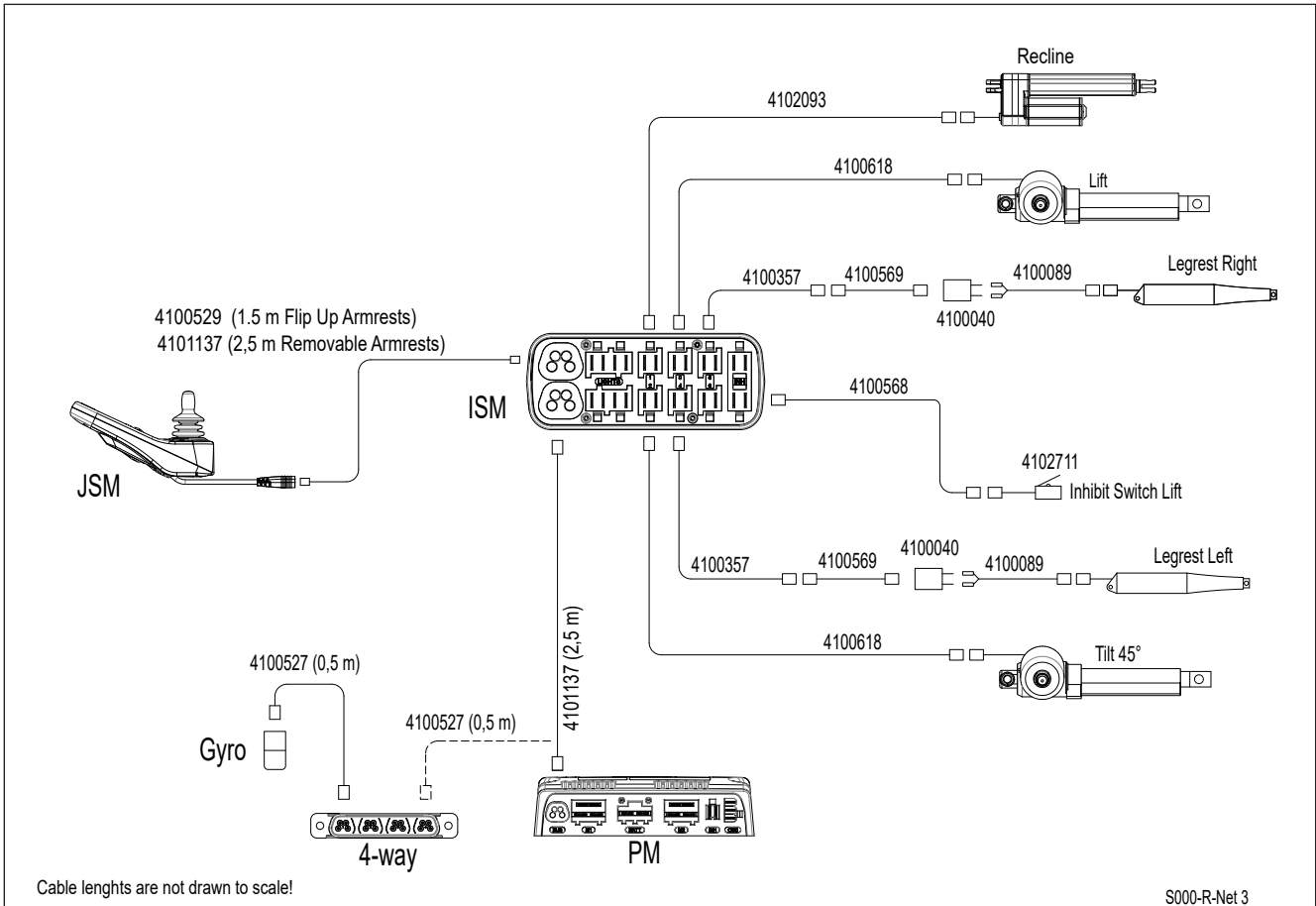
applicable for X10 & X20 Junior Only !



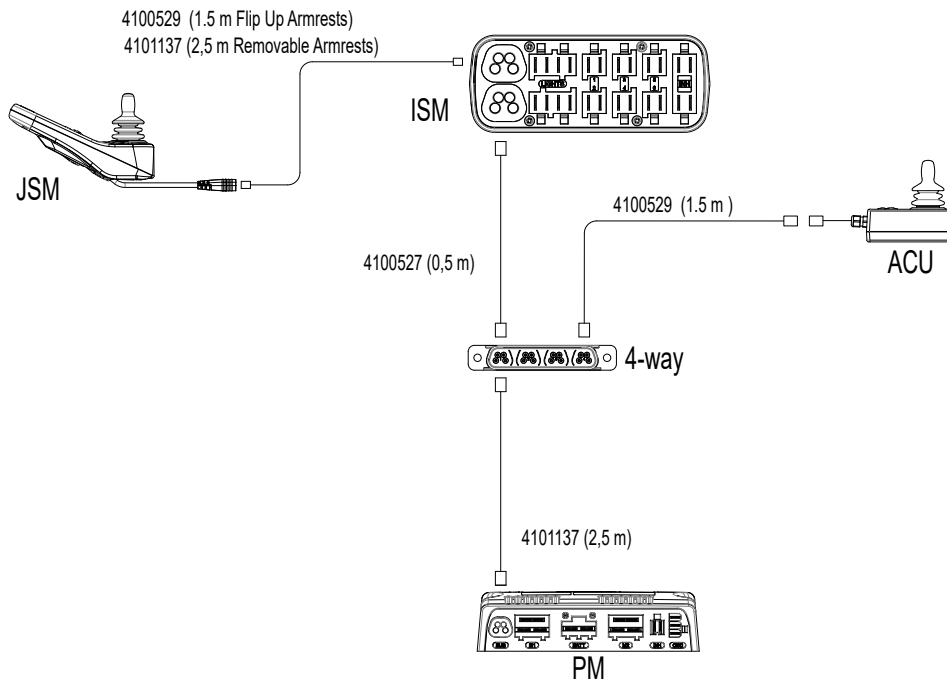
Cable lengths are not drawn to scale!

S000-LiNX 9





R-Net Attendant Control

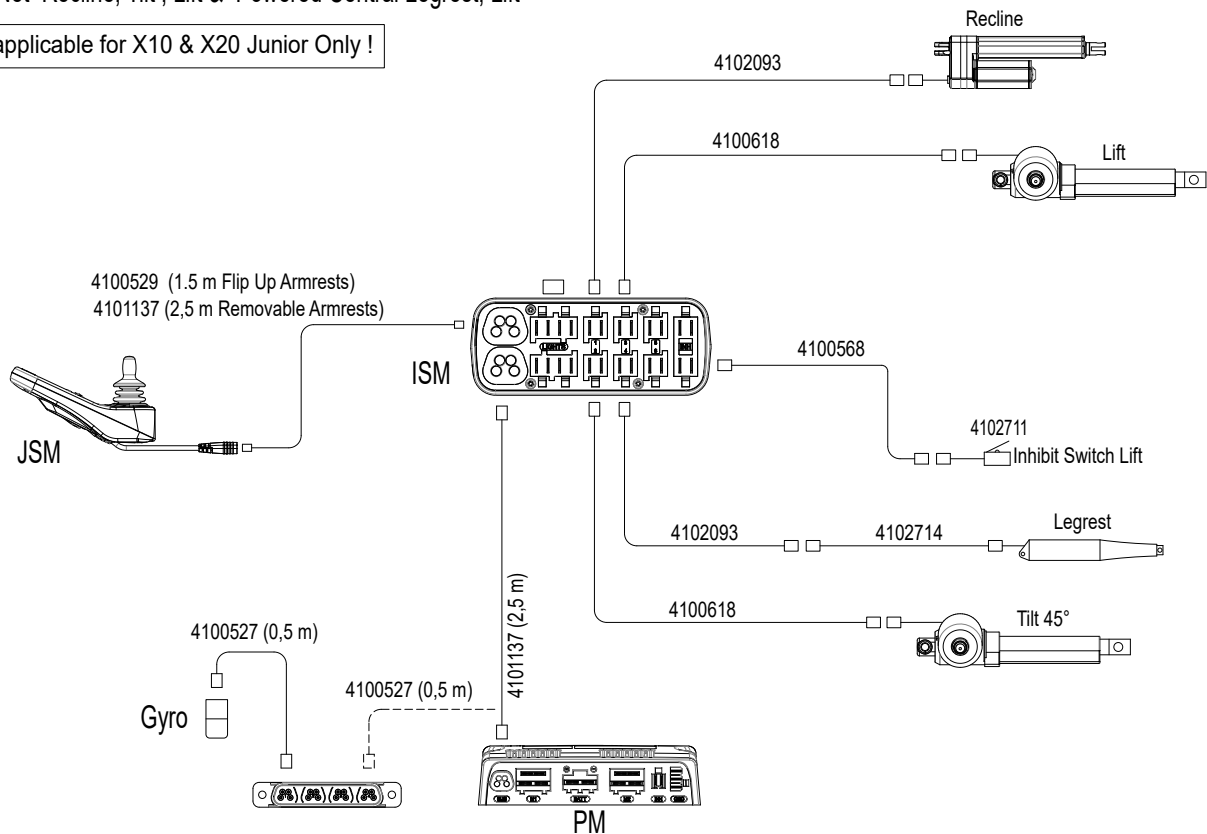


Cable lengths are not drawn to scale!

S000-R-Net 5

R-Net Recline, Tilt, Lift & Powered Central Legrest, Lift

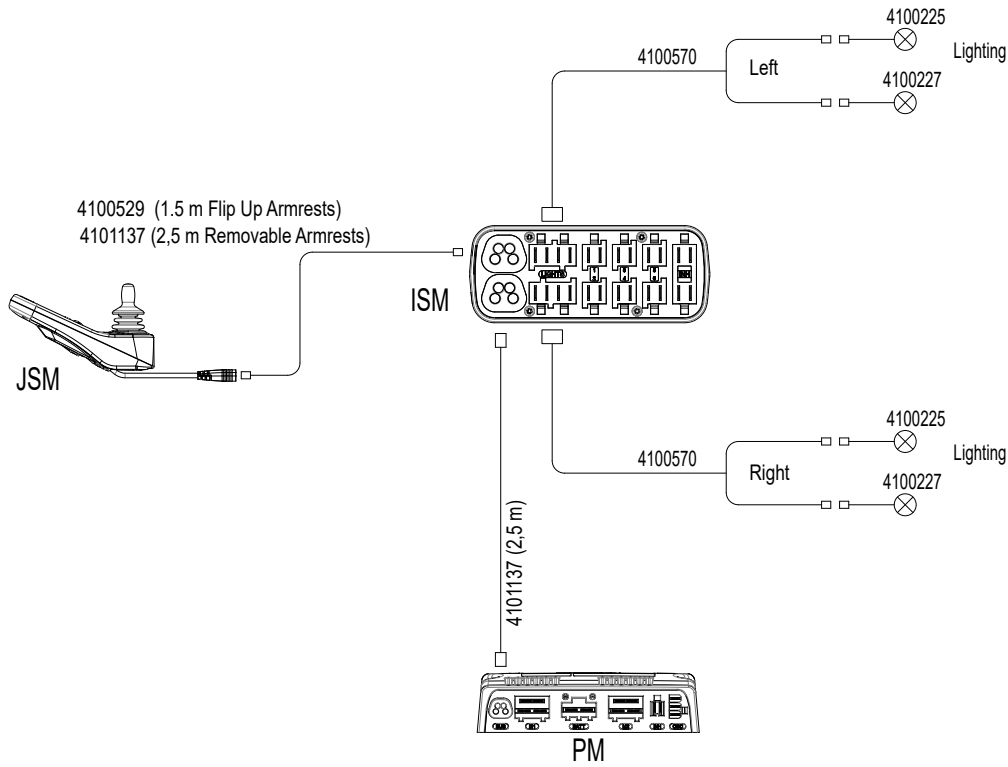
applicable for X10 & X20 Junior Only !



Cable lengths are not drawn to scale!

S000-R-Net 6

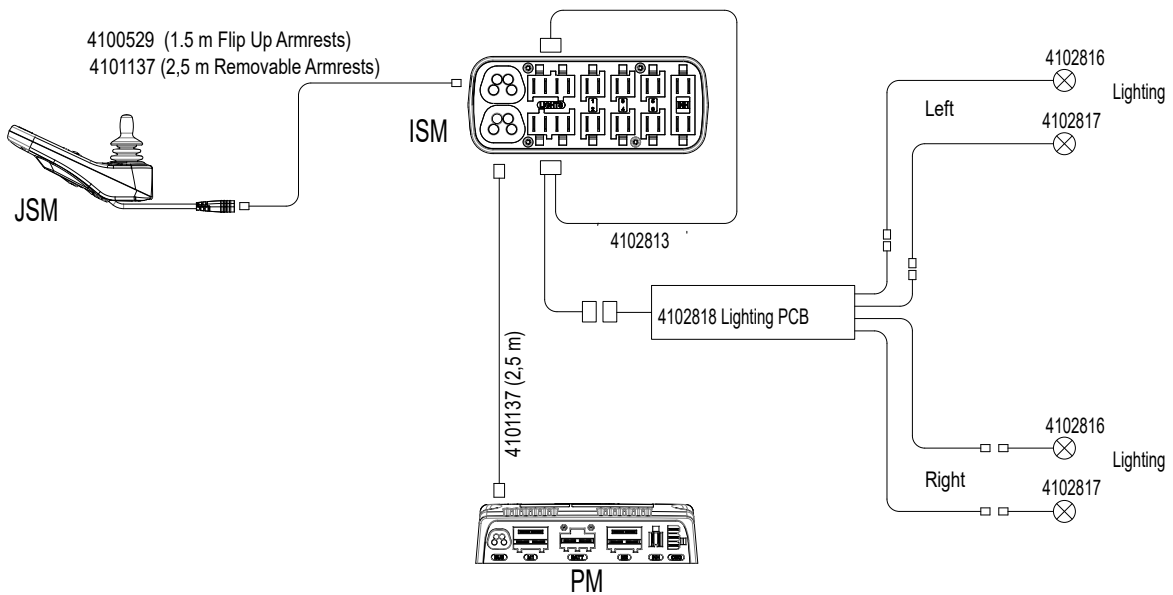
### R-Net Lighting Mk1



Cable lengths are not drawn to scale!

S000-R-Net 7

### R-Net Lighting Mk2

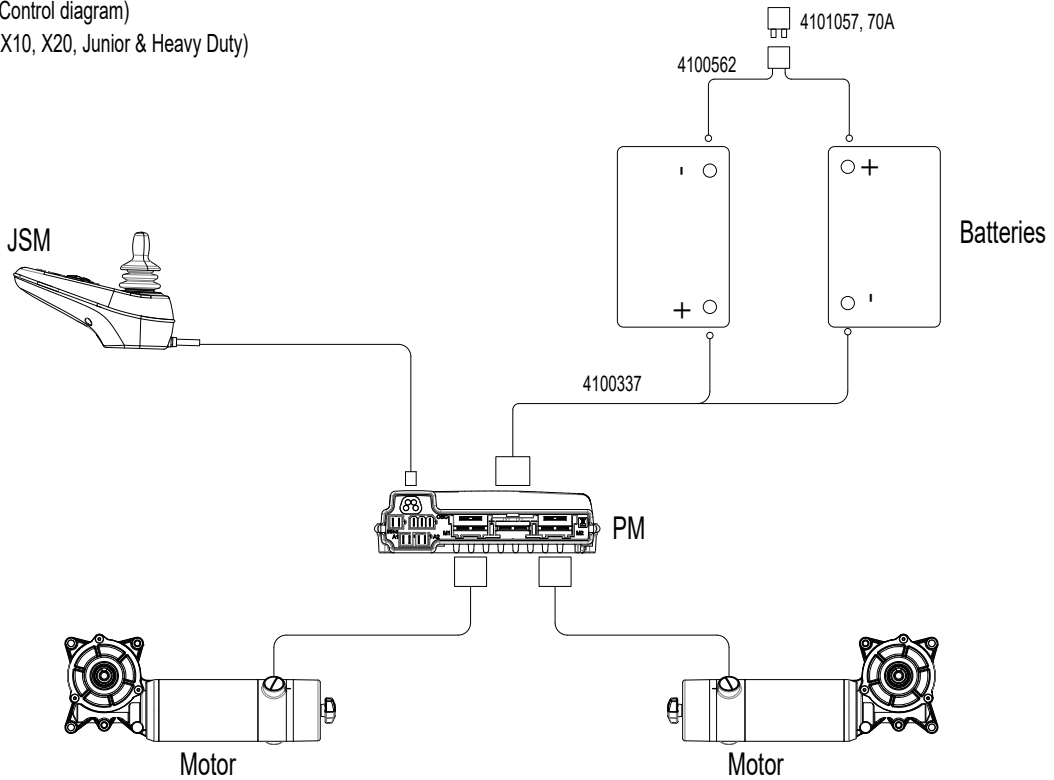


Cable lengths are not drawn to scale!

S000-R-Net 8

**VR2 Battery & Motor connections (Drive only)**

(also Steering Control diagram)  
 (applicable for X10, X20, Junior & Heavy Duty)

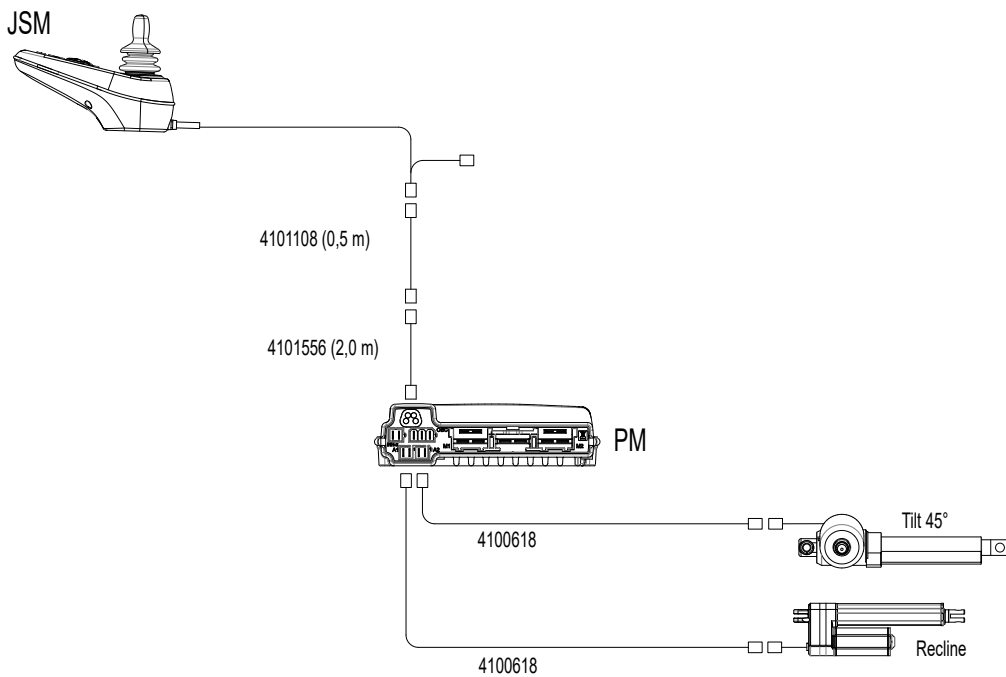


Cable lengths are not drawn to scale!

S000-VR2 1

**VR2 Tilt45 & Recline**

(also applicable for Steering Control)

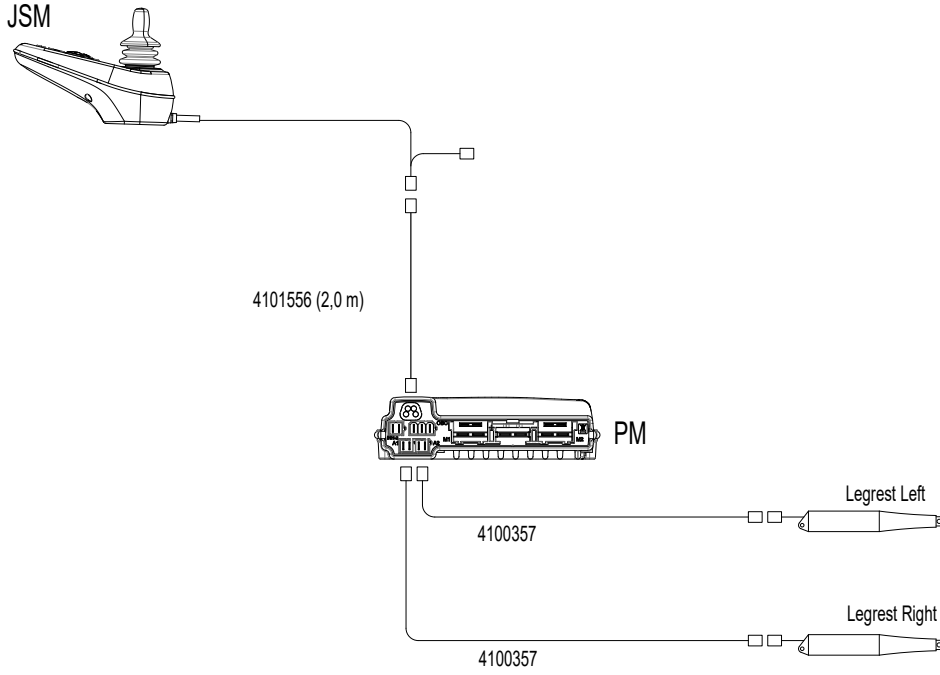


Cable lengths are not drawn to scale!

S000-VR2 2



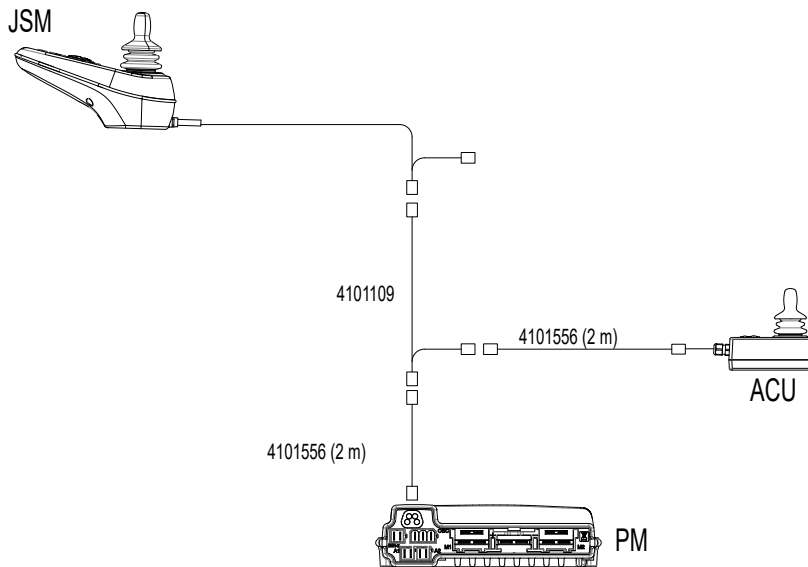
### VR2 Powered Leg rests



Cable lengths are not drawn to scale!

S000-VR2 3

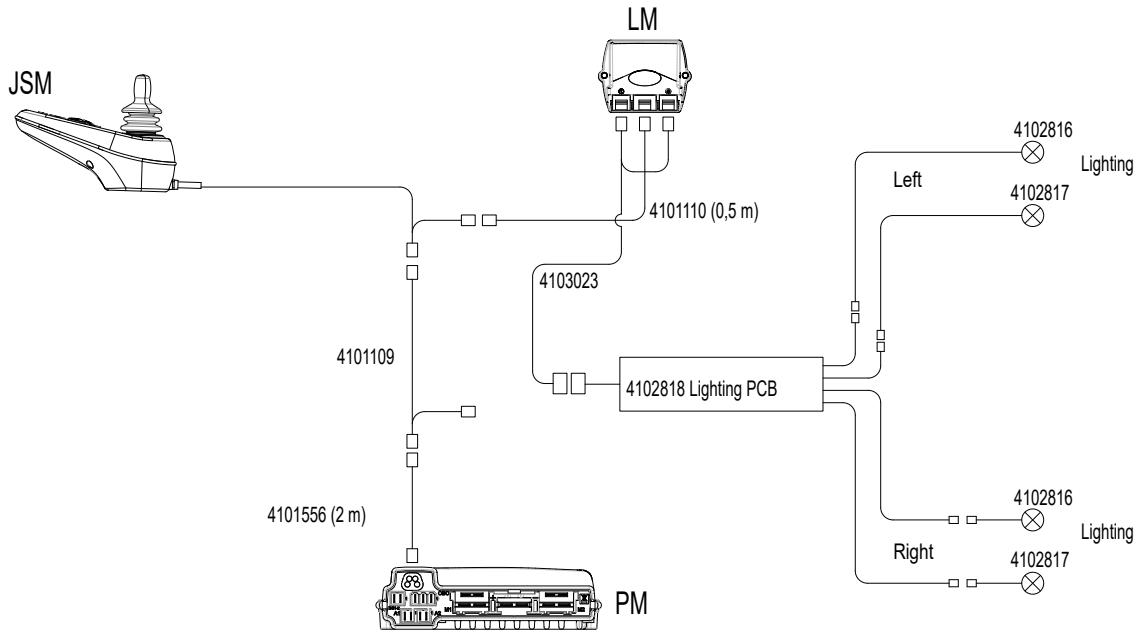
### VR2 Attendant Control



Cable lengths are not drawn to scale!

S000-VR2 4

### VR2 Lighting Mk2



Cable lengths are not drawn to scale!

S000-VR2 5

**R-net**

4100337	Power Harness PGDT
4100357	PGDT Actuator Harness 700 mm
4100419	R-net Seating Module ISM
4100451	R-net Power Module 120 A
4100452	R-net Gyro Module
4100503	R-net LCD Remote
4100527	PGDT R-net Buscable 0.5 m
4100528	PGDT R-net Buscable 1 m
4100529	PGDT R-net Buscable 1.5 m
4100530	PGDT R-net Extension Buscable 1 m
4100562	Fuse Harness
4100568	Inhibit Harness Lift-Tilt PGDT
4100569	Legrest Harness
4100570	Lighting Harness PGDT
4102813	(Lighting Harness)
4102818	(Lighting PCB R-net)
4100618	PGDT Actuator Harness 1300 mm
4101056	Fuse 100 A
4101084	R-net Attendant Remote
4101085	R-net Bus Cable 4-Way Socket
4101091	R-net Omni 1
4101137	Bus Cable R-Net 2,5 m
4101218	R-Net remote LED
4101695	Remote R-net LCD CJSM2
4102017	Extension Harness 1.8 m ADC
4101209	R-net CJSM2 Controller IR & Bluetooth
4101532	All round joystick Omni
4101780	R-net Omni 2

**VR2**

4100255	VR2 Power Module
4100257	VR2 Remote Seats & Lights
4100258	VR2 Lighting Module
4100337	Power Harness PGDT
4103023	Lighting Harness VR2
4102818	Lighting PCB PGDT Mk2
4100357	PGDT Actuator Harness 700 mm

4100562	Fuse Harness
4100568	Inhibit Harness Lift-Tilt PGDT
4100569	Legrest Harness
4100618	PGDT Actuator Harness 1300 mm
4101057	FUSE 70 A
4101083	VR2 Attendant Remote
4101108	VR2 Extension Cable 0.5 m
4101109	VR2 ACU Intermediate Cable
4101110	VR2 Lighting Module Extension Cable 0.5 m
<b>LINX</b>	
4100564	Inhibit Harness Lift-Tilt LiNX
4100565	Actuator Harness LiNX 700mm
4100566	Dynamic Power Harness
4100567	Actuator Harness LiNX 1300mm
4100569	Legrest Harness
4103022	Lighting Harness LiNX
4103060	Lighting PCB LiNX Mk2
4101056	Fuse 100 A
4102635	Remote LiNX LED (REM216)
4102636	Remote LiNX LCD (REM400)
4102639	Actuator Module ACT400
4102640	LiNX 10 Way Switch Module
4102641	Gyro Linx
4102642	Bus Cable LiNX 1500 mm GLM-150-A
4102646	Remote LiNX LED DLX-REM215-A
4102647	Remote LiNX DLX-REM500
4102648	4-way Socket LiNX DLX-CON4W-A
4102649	Input Module LiNX DLX500-IN
4102650	USB Socket LiNX DLX-USB02-A
4102651	Power Module LiNX 120 A DLX-PM120AL-C
4102652	ACU LiNX DLX-ACU
4102759	Bus Cable LiNX 2500 mm GLM-250-A
4102760	LiNX Actuator Harness 160 mm
4102761	LiNX Ext Bus Cable 0.9 m
4102677	Tilt Sensor DLX-200A
4102905	Actuator Module LiNX ACT200

**Scout Mobility BV**  
Tiendschuur 5  
5768 SB Meijel  
The Netherlands

T +31 (0)6 44 50 05 78  
[www.scoutmobility.nl](http://www.scoutmobility.nl)  
[info@scoutmobility.nl](mailto:info@scoutmobility.nl)

**Dealer:**