

Warrior

Sport Wheelchair

User and Technical Manual



General information

The Warrior Sport Wheelchair is designed for indoor sport use only. It is a high performance wheelchair and requires sufficient physical and cognitive capabilities from the user.

Optimal and safe use of the wheelchair requires correct setup of the chair, read this instruction manual carefully before use of the wheelchair.

Have the wheelchair setup properly by your dealer or an experienced engineer.

The wheelchair is standard equipped with a lap belt and it is strongly advised to use this belt when driving the chair.

Scout Mobility is constantly striving for improvements of the products. Descriptions and pictures in this manual can therefore differ from the actual situation on your wheelchair.
In case of any doubts regarding technical issues please contact your dealer for more detailed information. For custom built Warrior sport chairs, always contact your dealer for setting up or adjusting the chair.

Programming of the wheelchair is only to be done by experienced and skilled engineers. Incorrect programming can cause dangerous situations and can cause serious injuries. Always contact your dealer for questions or remarks on programming.

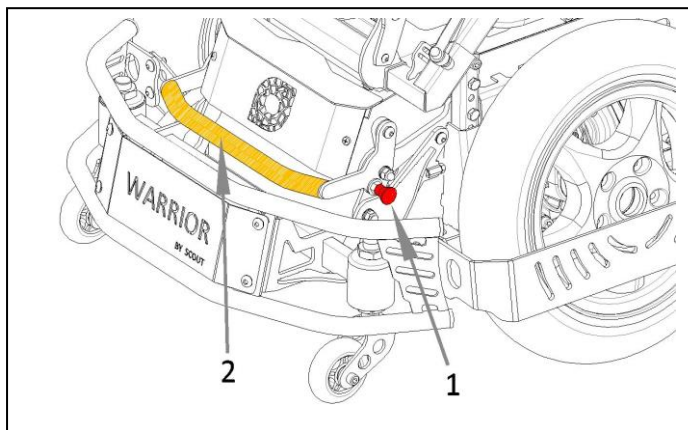
Content

General information	2
Content.....	3
1. Setting up and using the wheelchair	5
1.1 Using the Locking Bar	5
1.2 Adjusting rear castors.....	5
1.3 Cooling Fans	6
1.4 Charging the Batteries.....	6
1.5 Removing Cushions	6
2. Seating Adjustments.....	7
2.1 Seat Width.....	7
2.2 Seat Height and Seat Angle	7
2.3 Seat Depth and Center of Gravity Position	7
2.4 Backrest Angle	8
2.5 Armrest Height	8
2.6 Armrest Depth.....	8
2.7 Adjusting Remote Height	9
2.8 Adjusting Remote Depth	9
2.9 Adjusting Remote Angle	9
2.10 Adjusting Foot Plate Height.....	10
2.11 Adjusting Foot Plate Angle and Depth	10
2.12 Adjusting Front Protection Bar.....	10
2.13 Adjusting Backrest Height	11
3 Maintenance and Service	11
3.1 Accessing Batteries.....	11
3.2 Replacing Tire	12
3.3 Replacing Motor	12
3.4 Cleaning or replacing Motor Brushes.....	12
4 Spare Parts and Accessories	13
4.1 Electronic Diagram and Parts	13
4.2 Carrier Parts.....	14
4.3 Bumper Parts.....	15
4.4 Seating Parts.....	16
4.5 Accessories	17
4.5.1 Fixed Stick Adapter	17
4.5.2 Bumper Extension	17
4.5.3 Transport Fixation Set	18

1. Setting up and using the wheelchair

1.1 Using the Locking Bar

The Locking Bar provides a possibility to unlock the rear castor position and climb small obstacles and ramps with the Warrior. When the rear castors are unlocked the maximum speed of the wheelchair is automatically reduced for safety reasons. It is advised not to use Match drive Profiles when the Locking Bar is unlocked.



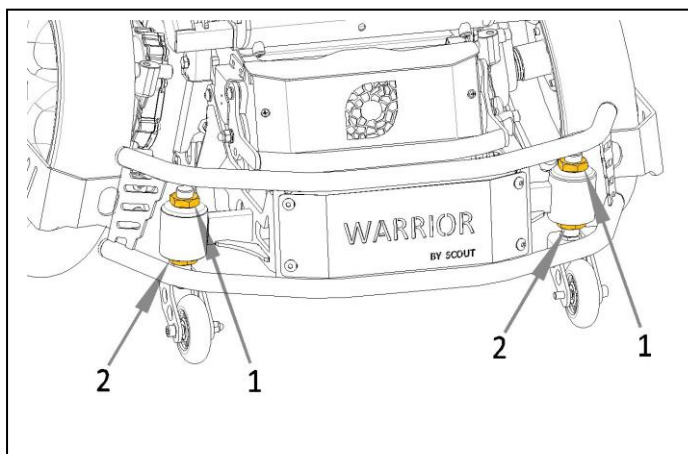
To unlock :

- Pull the Plunger Bolt (1)
- Lift the Locking Bar (2) and release the Plunger Bolt.

To lock :

- Push the Locking bar down until you hear the Plunger Bolt Click

1.2 Adjusting rear castors

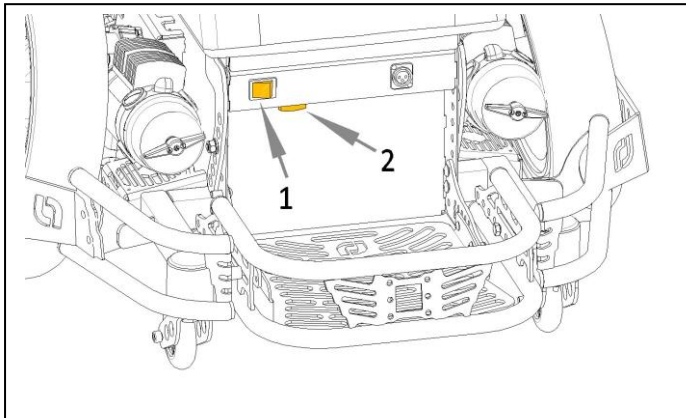


- For safe and optimal use of the Warrior wheelchair, the rear castors need to be correctly adjusted to ensure stability of the wheelchair during use.
- Set the tire pressure of the drive wheels to 2.5 bar
- Have the user sit in the chair
- Lock the rear frame by pushing the locking lever down until you hear the securing pin click (see § 1.1)
- Loosen the upper M20 nut (1) on the rear castor axles.
- Adjust the lower M20 (2) nut until the rear castor firmly touches the floor.
- Retighten the upper nuts (approx. 25 – 30 Nm)

Note :

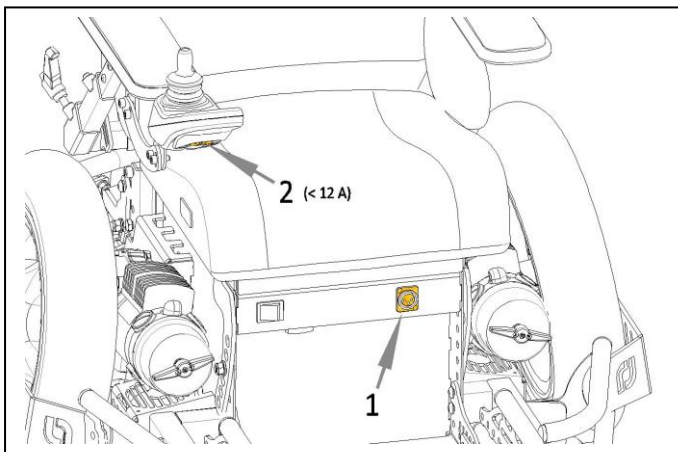
Wear on the drive wheel tires, tire pressure and user weight can influence the correct height position of the rear castors. It is important that the correct adjustment of the rear castors is checked before every use of the chair.

1.3 Cooling Fans



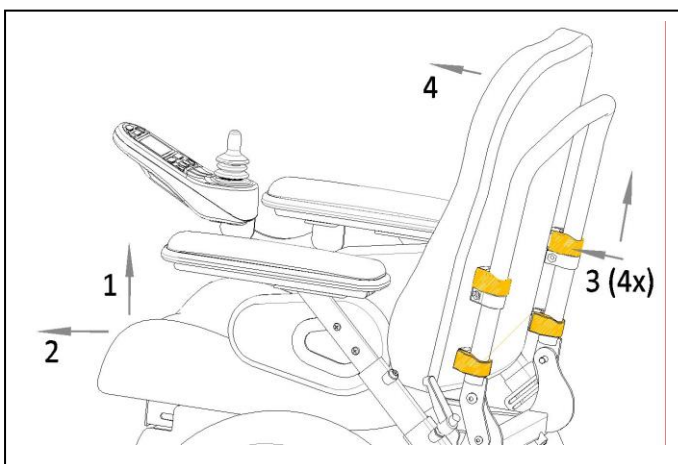
- Both motors and the Power Module have a fan for optimal cooling to extend the life of these components.
- The cooling fans have an on-off switch (1) and a fuse (2) at the front of the chair. Always use the cooling during games and training sessions.
- After the match or training, always keep the fans running for at least 10 minutes.
- The cooling fans are all identical and interchangeable.

1.4 Charging the Batteries



- The Warrior is standard supplied with a 12 A charger. For this charger an external charging socket (1) is present in the wheelchair.
- The charging socket in the remote (2) may only be used for chargers less than 12 A.

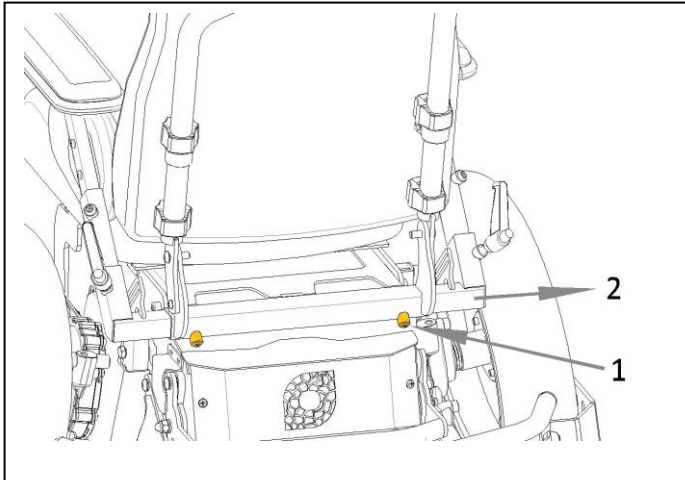
1.5 Removing Cushions



- Seat Cushion :
- Lift seat Cushion firmly up at front (1)
 - Pull seat cushion away from backrest (2)
- Backrest :
- Slide clips on backrest frame upward (3)
 - Remove back rest cushion (4)

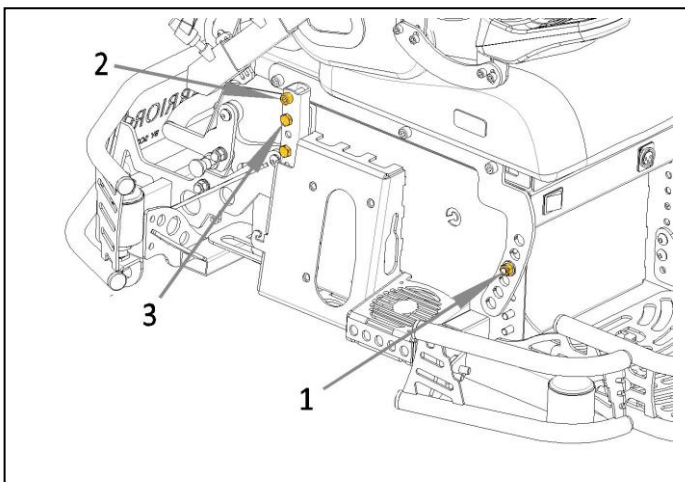
2. Seating Adjustments

2.1 Seat Width



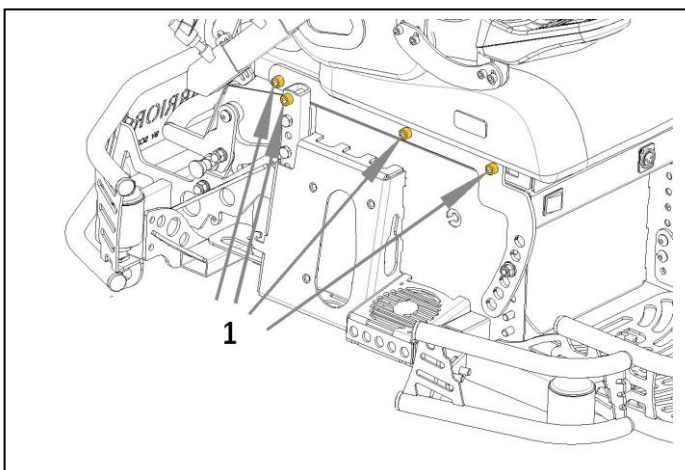
- Loosen set screws (1) at back of seat frame.
- Slide armrest supports to required width (2)
- Re-tighten screws (1).

2.2 Seat Height and Seat Angle



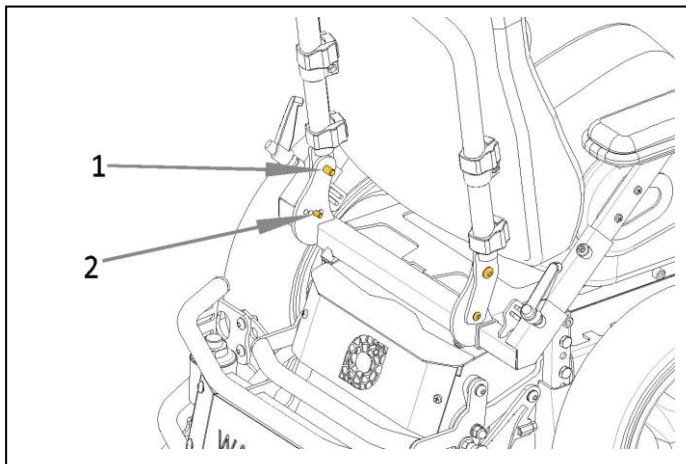
- Remove bolts and spacer (1) at front of the seat frame
- Loosen (but not remove) the bolts (2) at the rear of the seat frame
- Remove the bolts (3) from the square tubes
- Hold the seat frame in the desired height and tighten the bolts (4) in the square tubes
- Put the seat frame in the desired angle and tighten the bolts and spacer (1) at the front of the seat frame

2.3 Seat Depth and Center of Gravity Position



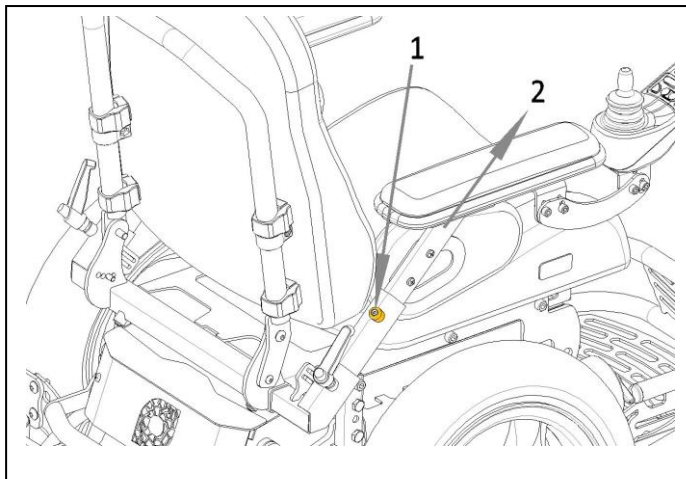
- Loosen but do not remove the bolts (1) at both sides of the seat frame.
- Slide the front seat frame forward and/or the rear frame rearward for the required position
- Retighten the bolts (1)

2.4 Backrest Angle



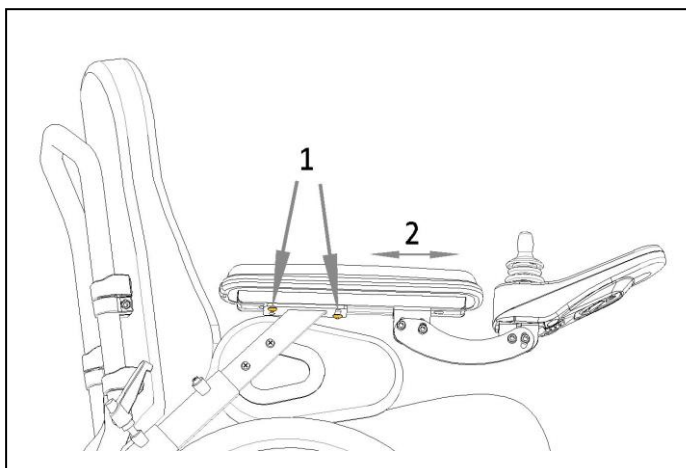
- Loosen the screws in the backrest (1)
- Remove the small screws (2)
- Set the backrest in the required angle (4 different positions) and re-tighten the small screws

2.5 Armrest Height



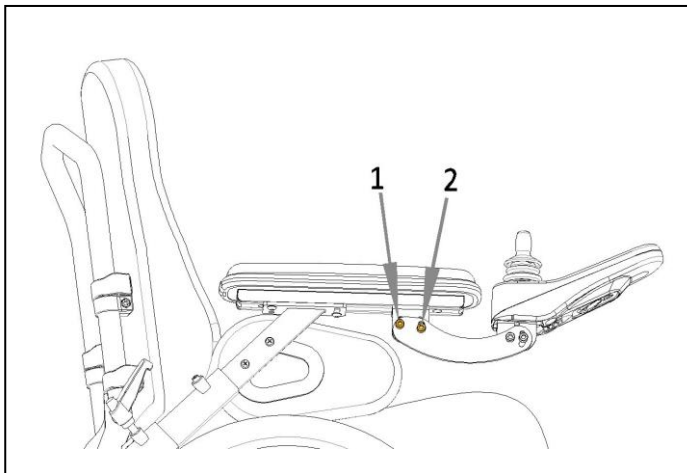
- Loosen set screw (1)
- Set arm rest at required height (2)
- Re-tighten screw
- Re-route cable if needed.

2.6 Armrest Depth



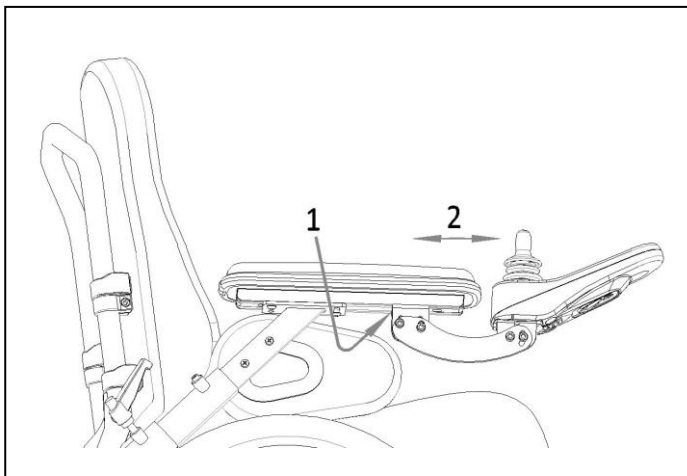
- Loosen the screws (1)
- Slide the armpad in the required position (2)
- Re-tighten the screws

2.7 Adjusting Remote Height



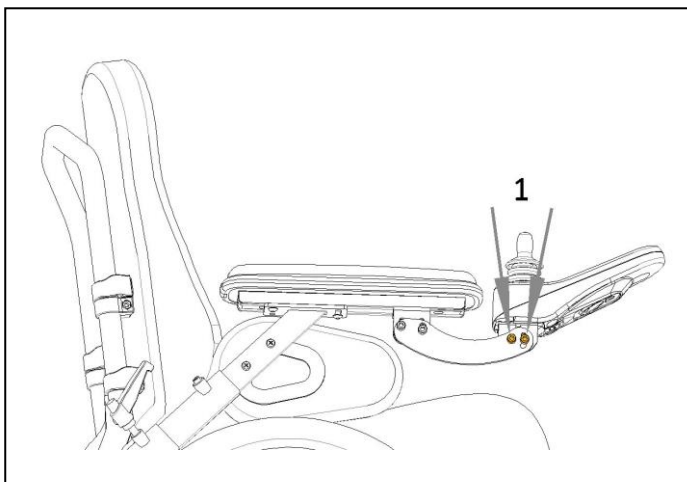
- Loosen the screw (1)
- Remove screw (2)
- Put remote in required position
- Re-tighten screws

2.8 Adjusting Remote Depth



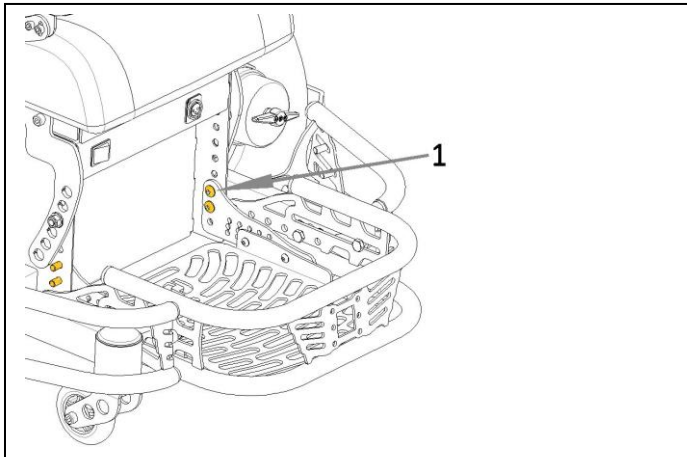
- Loosen the screws (1)
- Slide remote in required position
- Re-tighten screws
- Re-route cable if needed

2.9 Adjusting Remote Angle



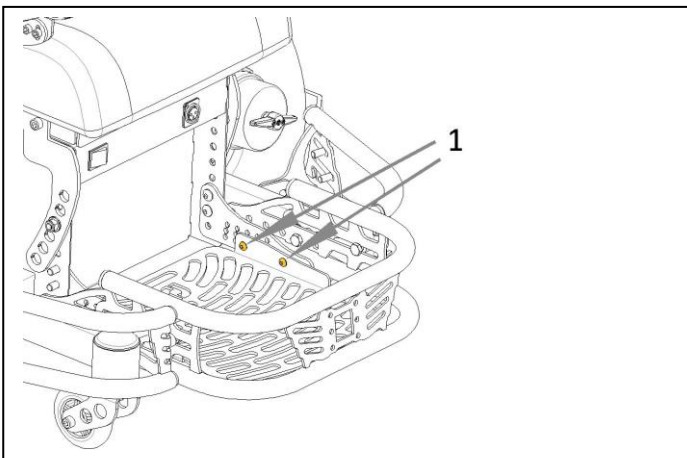
- Loosen the screws (1)
- Rotate remote in required position
- Re-tighten screws

2.10 Adjusting Foot Plate Height



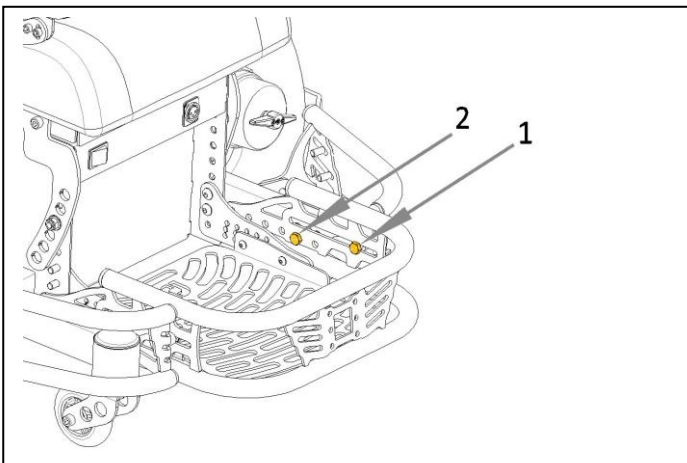
- Loosen and remove the screws (1)
- Put the foot Plate in the required position
- Retighten the screws
-

2.11 Adjusting Foot Plate Angle and Depth



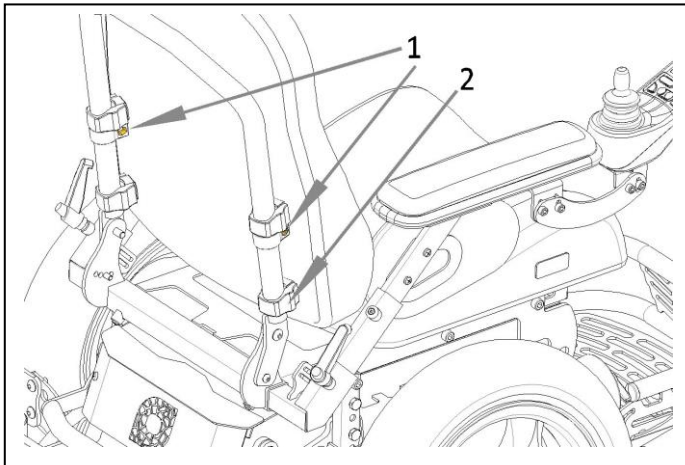
- Loosen screws (1)
- Remove the screws (2)
- Set Foot plate in the required position in angle and depth
- Check foot plate ground clearance for free ball height. If needed adjust foot plate height (see 2.10)
- Retighten screws

2.12 Adjusting Front Protection Bar



- Loosen screws (1)
- Remove screws (2)
- Set Protection Bar in required depth position
- Retighten screws

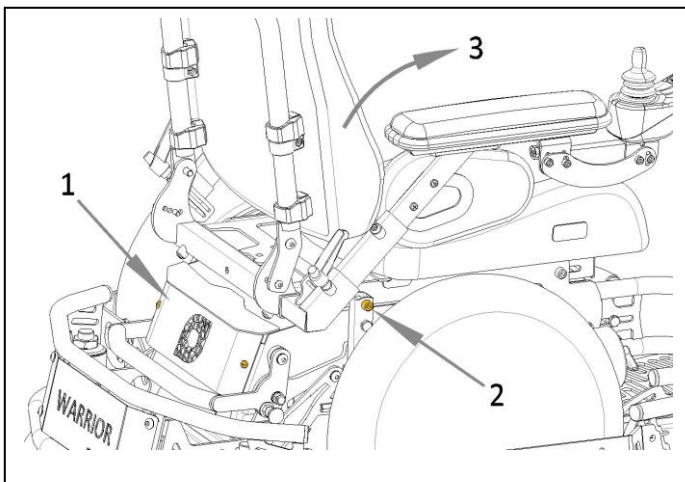
2.13 Adjusting Backrest Height



- Loosen but do not remove screws (1) on both sides of backrest
- Slide backrest cushion in required position
- Retighten screws (do not overtighten!)
- For removal of backrest cushion and easier sliding of cushion slide clips (2) upward

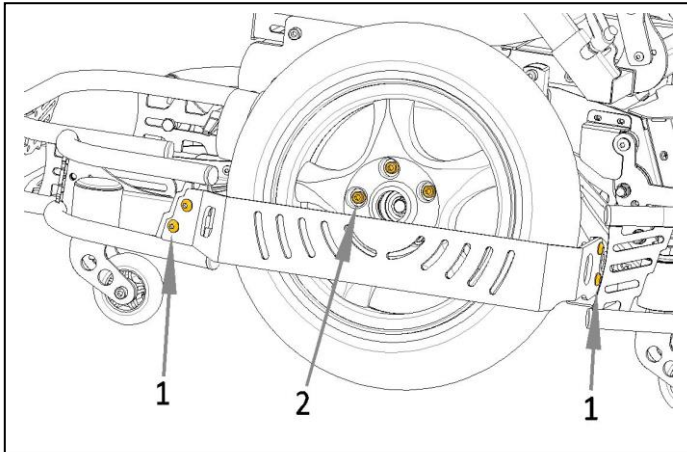
3 Maintenance and Service

3.1 Accessing Batteries



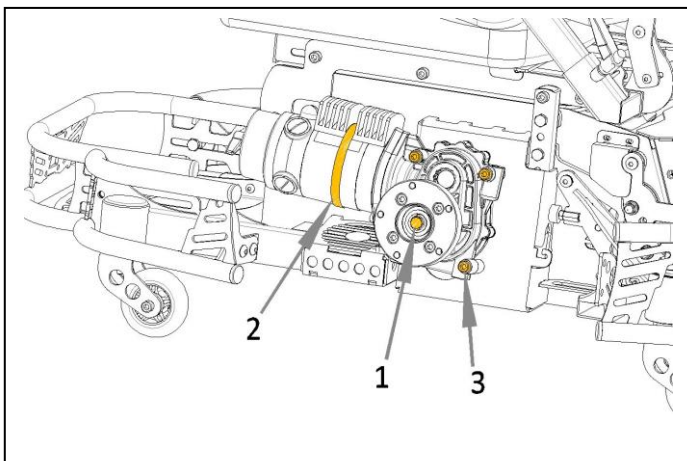
- Remove Seat Cushion (see § 1.5)
- Remove Power Module Cover (1) and disconnect fan
- Disconnect buscable from Power Module
- Remove screws (2) on both sides of seat frame
- Flip entire seat frame to the front of the chair (3) and make sure it is secure
- Remove Battery cover (velcro)

3.2 Replacing Tire



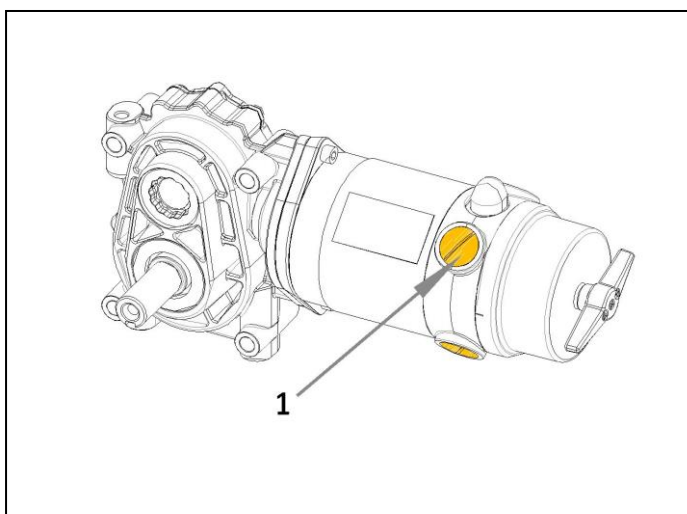
- Remove Side Protector (1)
- Remove wheel bolts (2)
- Release tire pressure
- Split rim by removing inside rim bolts
- Replace tire (be aware of rotation direction!)
- Use Loctite to secure all wheel bolts
- Retighten bolts with 25 Nm

3.3 Replacing Motor



- Remove Tire (see 3.2)
- Remove central bolt and remove Hub (1)
- Disconnect Motor from Power Module
- Remove the Cooling Block by opening the clamp (2)
- Remove Tie-raps
- Remove three Motor Bolts (3) and remove motor
- Secure new motor to frame
- Assemble Cooling Block with clamp
- Assemble and secure wheel hub with tab washer

3.4 Cleaning or replacing Motor Brushes

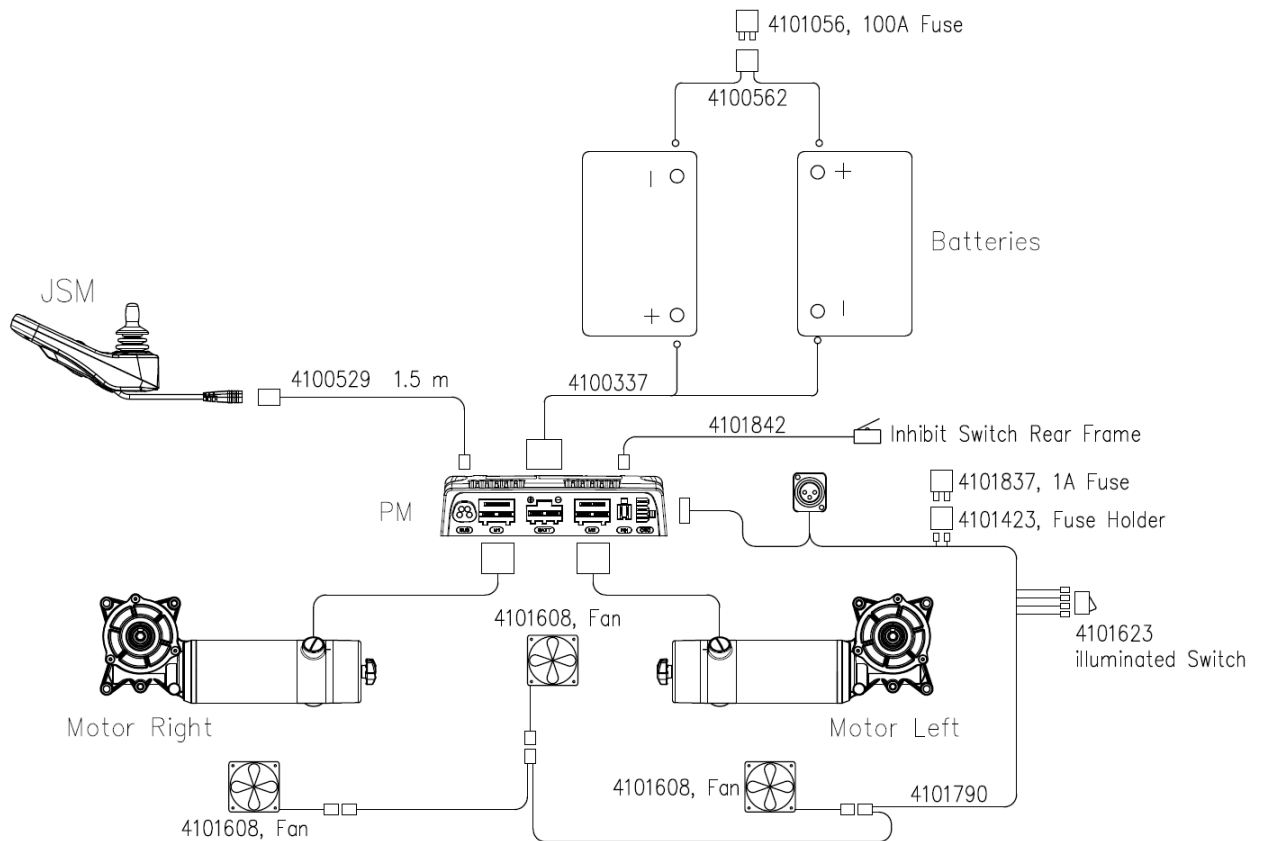


- To clean all brushes the motor must be disassembled from frame
- Remove plug (1) from motor
- Take out carbon brush
- Clean brush opening with compressed air
- Replace brushes when length of carbon is less than 10 mm

4 Spare Parts and Accessories

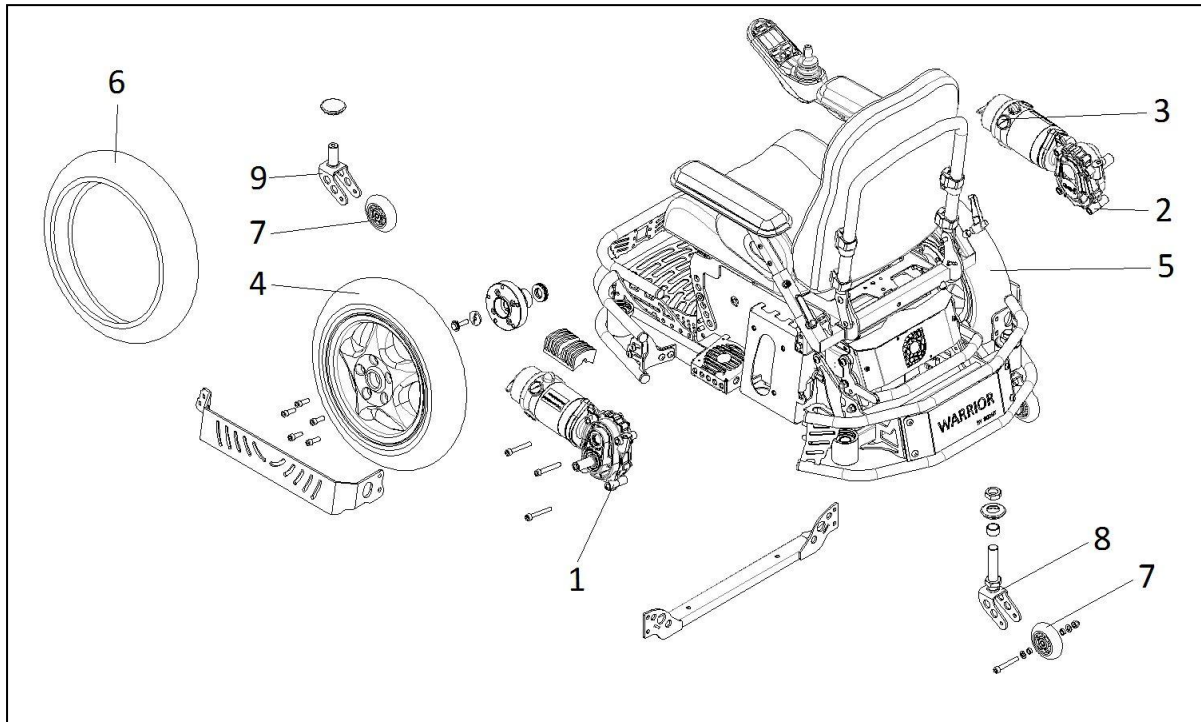
Only standard general parts are shown in this section. For custom built chairs, Spare Parts can be ordered on request. Contact your dealer for ordering details on parts for custom built chairs. For ordering parts or getting information always remember that left side of wheelchair is left side when sitting in the chair.

4.1 Electronic Diagram and Parts



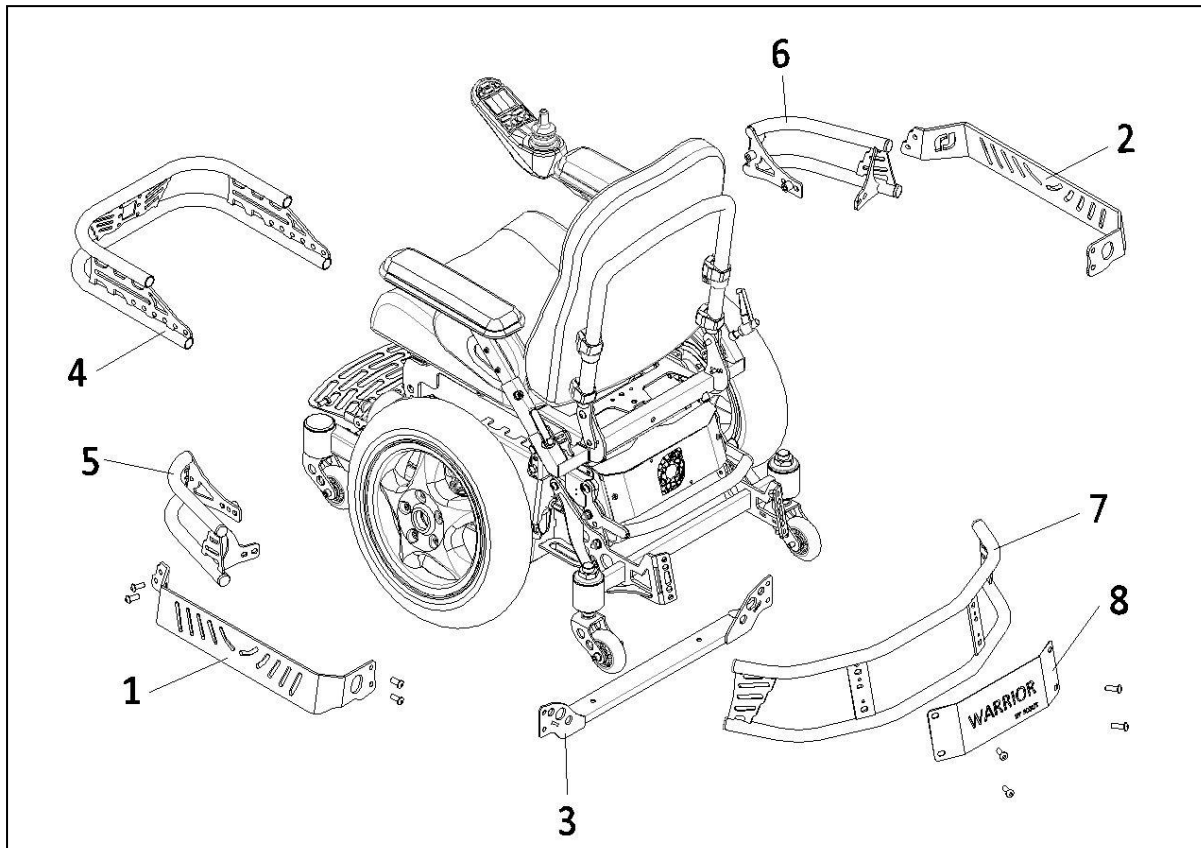
Part Code	Description
4100529	Bus Cable R-net 1.5 m
4101137	Bus Cable R-net 2.5 m
4100337	Power Harness
4100562	Fuse Harness (without fuse)
4101056	Blade Fuse 100 A
4100282	78 Ah Battery
4101842	Inhibit Switch Rear Frame
4101608	Brushless Fan
4101623	Illuminated Switch
4101423	Fuse Holder (Fan)
4101837	Blade Fuse 1 A
4101790	Main Harness Sport Chair
4100451	Power Module R-net
4100503	Color LCD Remote R-net (JSM)
4101218	LED Remote R-net (JSM)

4.2 Carrier Parts



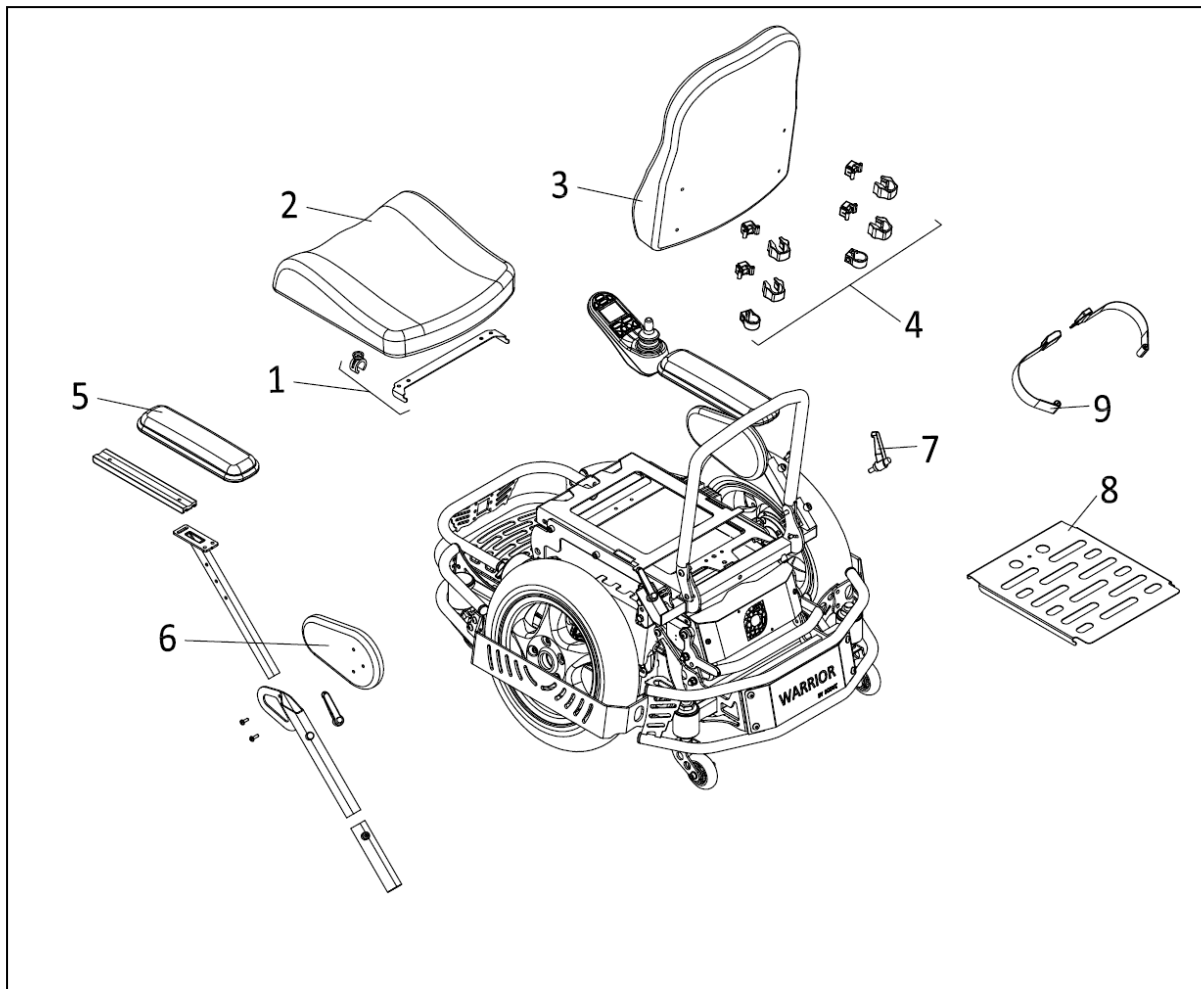
Nr	Part Code	Description
1	4100436	Motor Left
2	4100437	Motor Right
3	4100673	Carbon Brushes Set
4	4101767	Wheel Sport Chair 3.00x10 Left
5	4101830	Wheel Sport Chair 3.00x10 Right
6	4102000	Tire 3.00x10
7	4100190	Wheel
8	4101769	Rear Fork Sport Chair
9	4101793	Front Fork Sport Chair

4.3 Bumper Parts



Nr	Part Code	Description
1	4101808	Side Protector Left
2	4101809	Side Protector Right
3	4101810	Side Protector Mounting Beam
4	4101669	Front Bumper
5	4101680	Side Bumper Left
6	4101684	Side Bumper Right
7	4101674	Rear Bumper
8	4101760	Name Plate

4.4 Seating Parts

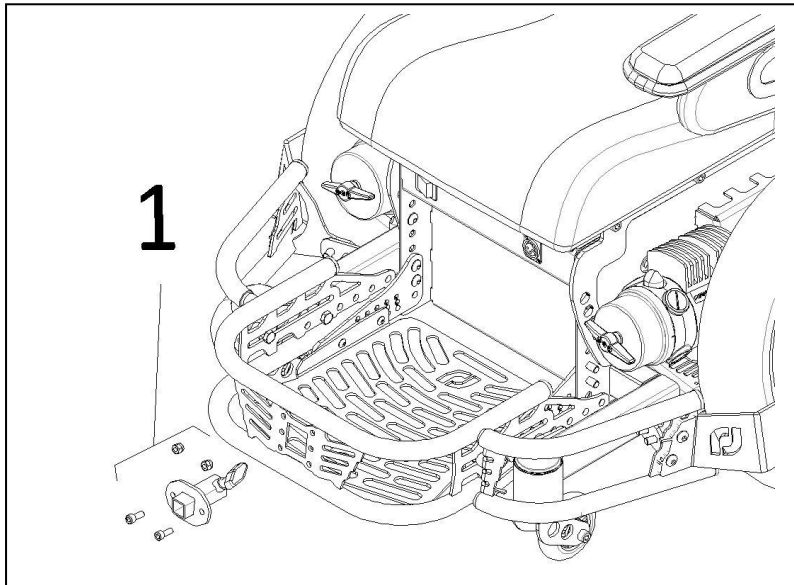


Nr	Part Code	Description
1	4101773	Seat Cushion Mounting set
2	4100865	Seat Cushion 36 x 45
2	4100870	Seat Cushion 39 x 45
2	4100872	Seat Cushion 42 x 48
3	4101854	Backrest Cushion 36 x 45
3	4101824	Backrest Cushion 39 x 45
3	4101855	Backrest Cushion 42 x 45
4	4101825	Backrest Cushion Mounting Set
5	4100619	Arm Pad 30 cm
6	4101795	Side Cushion Sport
7	4101294	Lifiable Clamping Lever M8
8	4101821	Seat Plate Sport Chair
9	4100884	Lap Belt 1.90 m

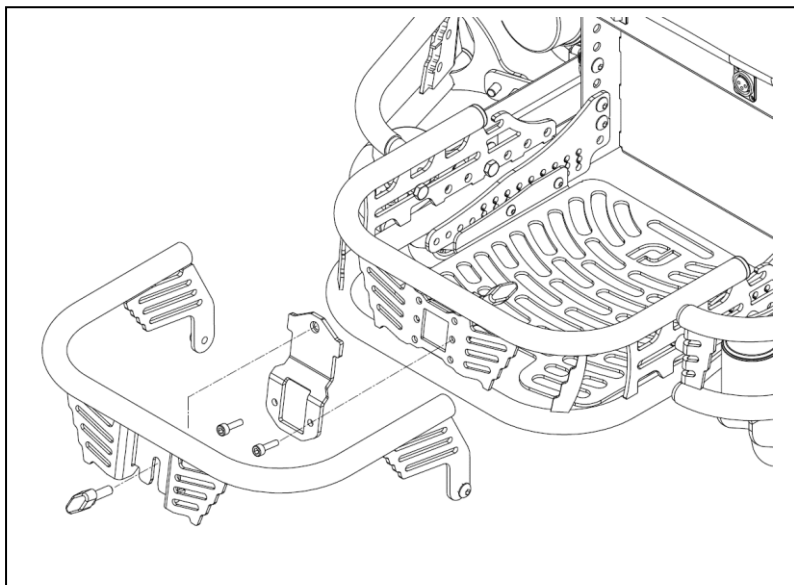
4.5 Accessories

4.5.1 Fixed Stick Adapter

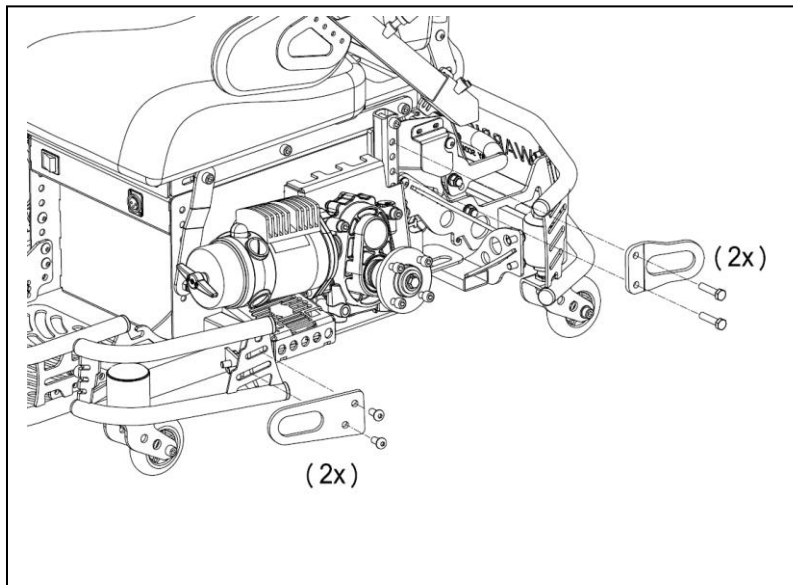
Part code 4101889



4.5.2 Bumper Extension



4.5.3 Transport Fixation Set



Scout Mobility B.V.
Tiendschuur 5
5768SB Meijel
The Netherlands

T +31(0)6 22 15 21 83
info@Scout Mobility.com
www.scoutmobility.com



Dealer contact details:

*If there is no information here you can
contact Scout Mobility B.V. for the
nearest dealer address.*